

**NYLM-5**  
5" iLENE LED Mini Cylinders

Source: 35W LED  
2000lm

**PRODUCT DESCRIPTION**

iLENE Series of dedicated LED Mini Cylinders are available in three sizes and outputs, with pendant or surface mount options. Using Cree<sup>®</sup> COB technology, the iLENE produces 90+ CRI with excellent cut-off for visual comfort. Each cylinder includes three field-changeable optics for spot, narrow flood and flood (installed) beam spreads.

**FEATURES**

- 2000lm / 35W LED
- Cree<sup>®</sup> LED COB technology
- Surface or pendant mounted
- 2700K, 3000K, or 4000K @ 90+ CRI
- Flood (installed), narrow flood and spot optics included
- Triac, ELV or 0-10V dimming
- Black, silver or white cylinder finish
- ENERGY STAR<sup>®</sup> certified
- 5-year limited warranty

**SPECIFICATION**

**Construction:** Extruded aluminum cylinder with aluminum vented top. Driver is mounted in the canopy to dissipate heat away from the LED module and extend life expectancy.

**Reflector:** Deep set reflector for minimal aperture brightness. Reflector finish matches cylinder finish.

**Optic:** Each iLENE cylinder includes three field-changeable optics for spot, narrow flood and flood (installed) beam spreads.

**Installation:** Canopy mounts on a junction box. Cable pendant includes 8' field adjustable coax cable. (Driver located in canopy)

**ELECTRICAL**

**Voltage:** 120V/277V

**Lumens / Wattage:** 2000lm / 35W

**Color Temperature:** 2700K, 3000K or 4000K

**CRI:** 90+CRI

**Dimming:** Triac, ELV or 0-10V

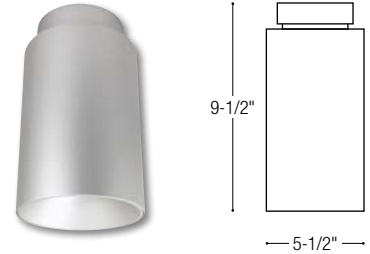
[Click Here](#) or check complete dimmer list at [www.NoraLighting.com](http://www.NoraLighting.com) in the "Compatibility" page under "Resources" tab

**LABELS AND LISTINGS**

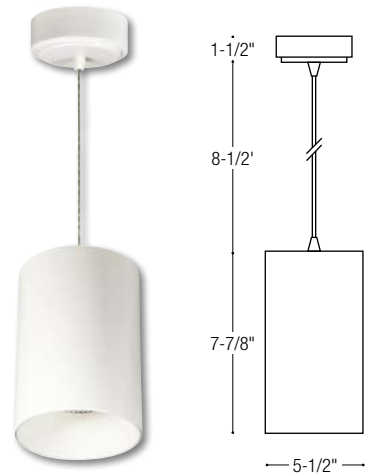
- cULus Listed for Damp Locations
- ENERGY STAR<sup>®</sup> Certified
- 5-Year Limited Warranty



**PRODUCT IMAGES AND DIMENSIONS**



**NYLM-5SC**  
5" iLENE LED Mini Cylinder, Surface Mounted



**NYLM-5C**  
5" iLENE LED Mini Cylinder, Cable Pendant Mounted

**5" iLENE LED Mini Cylinder**

| Series            | Mounting Option   | CCT         | Finish      | Input Voltage / Dimming                      |
|-------------------|-------------------|-------------|-------------|--|
| NYLM-5 = 5" iLENE | C = Cable Pendant | 27X = 2700K | BB = Black  | LE4 = 120V input; Triac/ELV or 0-10V dimming |
|                   | SC = Surface      | 30X = 3000K | SS = Silver |  |
|                   |                   |             | 40X = 4000K | WW = White                                   |

Example: NYLM-5C30XBBL4 = 5" iLENE LED Mini Cylinder, Pendant Mounted, 3000K, Black finish, 120V/277V input; Triac, ELV or 0-10V dimming