

Type _____
 Project _____
 Catalog No. _____
 Lamp/Wattage _____

NTL-250 (200 Series Low Voltage Track)

AR111 Low Voltage Sail

Lamp: 12V - 20W - 50W Halogen AR111

PRODUCT DESCRIPTION

Low voltage AR111 adjustable gimbal ring fixture. AR111 lamp clips directly into the adjustable gimbal ring. A steel yoke holds the gimbal ring in place and allows for full lateral aiming adjustment

FEATURES

- High quality die cast construction.
- Instant snap-in lamp installation.
- Aesthetic swept wing shape.
- Adjustable yoke for precision aiming.
- One or two circuit track capable.
- High strength stainless steel electrical contacts.

CONSTRUCTION

Gimbal

Low voltage AR111 adjustable gimbal ring fixture. AR111 lamp clips directly into the adjustable gimbal ring. A steel yoke holds the gimbal ring in place and allows for full lateral aiming adjustment

Socket

.085 Rigid steel bracket connects fixture housing to electrical contact head. Dual steel tightening knobs provides secure angle position.

Shield

.12 tempered heat resistant glass. Shield completely covers lamp face.

One/Two Circuit Conversion

Positive contact (opposite neutral and ground contacts) is preset to "down" position at factory but may be raised to the higher position to install onto the second circuit of Nora Lighting NT- 2300 series two-circuit track.

ELECTRICAL SYSTEM

1. Transformer

Solid state electronic transformers provide noise-free voltage reduction and operation. If dimming, use electronic low voltage rated only dimming controls.

NTL-250: Integral Unit - 120V/60Hz Input; 12V Output; 50VA Max. Load

NTL-2250 (requires separate transformer): External Unit - NTL-2200/50: 120V/60Hz Input; 12V Output; 50VA Max. Load

2. Wiring - Teflon coated wire lead connects socket and housing to electrical contact head.

Teflon coating is durable and resists heat degradation from lamp and housing radiation.

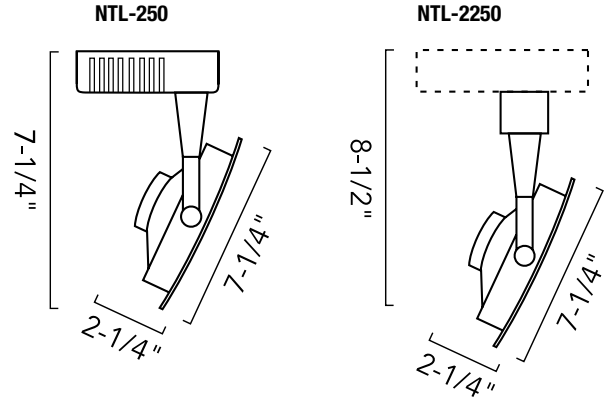
FINISHES

Powder coated finishes available (Black, Natural Aluminum or White).

LABELS AND LISTINGS

UL and cUL Listed

DIMENSIONS



Diameter: 7-1/4"
 Length: 2-1/4"
 Max. Extension: 7-1/4"

Diameter: 7-1/4"
 Length: 2-1/4"
 Max. Extension: 8-1/2"



200 Series Low Voltage Track Fixture

Catalog No.	Min. - Max. Wattage	Finishes
NTL-250	50W	B = Black
		N = Natural Metal
		W = White

2000 Series (Requires Transformer & Track head)

Catalog No.	Min. - Max. Wattage	Finishes
NTL-2200 (Transformer)	/50 = 20W-50W	B = Black
		W = White
NTL-2250 (Track Head)	(Blank) = 20W-75W	B = Black
		N = Natural
		W = White

Create a complete track head number: 200 Series Example: NTL - 250B

2000 Series Example: NTL - 2200 / 75B & NTL - 2250B