

Type \_\_\_\_\_  
 Project \_\_\_\_\_  
 Catalog No. \_\_\_\_\_  
 Lamp/Wattage \_\_\_\_\_

**NTL-263** (200 Series Low Voltage Track)

**MR16 V-Tec Cross Blades, H-Style**

Lamp: 20W - 50W Halogen MR16

**PRODUCT DESCRIPTION**

Low voltage die cast aluminum designer vertical transformer housing with MR16 light source. Cross Blades for glare reduction.

**FEATURES**

- Die cast aluminum provides superior strength and rigidity.
- Clear shield included with fixture.
- High-strength stainless steel electrical contacts.

**CONSTRUCTION**

Contact Head Assembly

Three .030 stainless steel contacts mounted in high heat rated plastic housing

Housing

.030 die-cast aluminum construction. All edges are softened for aesthetic appearance.

Socket

Porcelain socket for GU5.3 12V MR16 lamp.

Lamp

One 50W 12V MR16 Halogen Lamp (Ordered Separately).

**ELECTRICAL SYSTEM**

1. Transformer – Integral 12V 50W electronic transformer included.

2. Wiring - Teflon coated wire lead connects socket and housing to electrical contact head. Teflon coating is durable and resists heat degradation from lamp and housing radiation.

**FINISHES**

Black, Silver, and White heat rated baked enamel paint. Custom painting or anodizing for special applications is also available. Custom finishes will require lead times that vary depending on vendor schedule. Please consult factory for quotation, and provide either a Dunn Edwards number or color chip for exact matching.

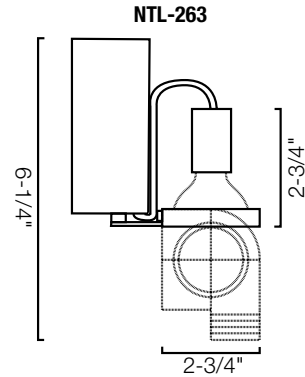
**OPTIONAL ACCESSORIES**

NM-100/MR16 MR16 Filter (Blue, Clear, Frosted, Green, Linear, Pink, Red, Spread, Yellow)

**LABELS AND LISTINGS**

UL Listed.

**DIMENSIONS**



Diameter: 2-3/4"  
 Length: 2-3/4"  
 Max. Extension: 6-1/4"



**200 Series Low Voltage V-Tec Cross Blades, H-Style Track**

Catalog No.	Finishes
NTL-263	B = Black S = Silver W = White

Create a complete track head number: 200 Series Example: NTL - 263 B