

Installation Instructions

NLUD-2334

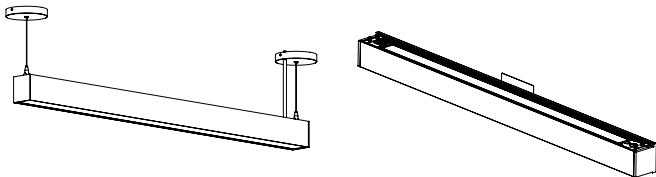
L-Line LED Indirect / Direct Luminaire

READ PRIOR TO ATTEMPTING INSTALLATION
ALWAYS TURN OFF MAIN POWER BEFORE INSTALLATION
INSTALLATION SHOULD BE CARRIED OUT BY YOUR LOCAL ELECTRICIAN

⚠ WARNING - This equipment is intended to be installed only by qualified personnel. The installation must be made in accordance with the current edition to the National Electric Code and all applicable state and local building codes. The final installation must be approved by the appropriate qualified electrical/building inspector(s). Improper installation may result in a fire or electrical hazard. Be sure the electrical power to the circuit has been disconnected before installing this electrical system.

⚠ AVERTISSEMENT - Cet équipement est destiné à être installé uniquement par du personnel qualifié. L'installation doit être faite en conformité avec l'édition actuelle du Code national de l'électricité et toutes étatiques et locales codes du bâtiment applicables. L'installation finale doit être approuvée par l'inspecteur en électricité / bâtiment qualifié approprié(s). Une mauvaise installation peut entraîner un incendie ou un risque électrique. Soyez sûr de la puissance électrique vers le circuit a été coupée avant l'installation de ce système électrique.

TYPES OF INSTALLATION



Pendant Mounted

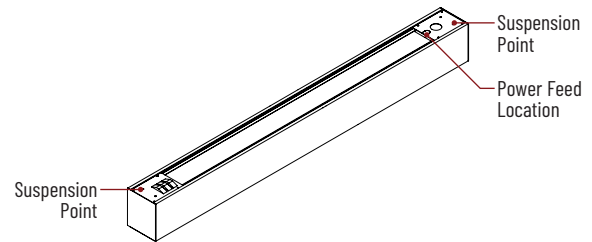
For single direction, proceed to page 2
For multi-direction, proceed to page 4

Wall Mounted

For single direction, proceed to page 5
For multi-direction, proceed to page 7

POWER FEED AND SUSPENSION POINTS

Recommended to use (2) suspension points when pendant mounted



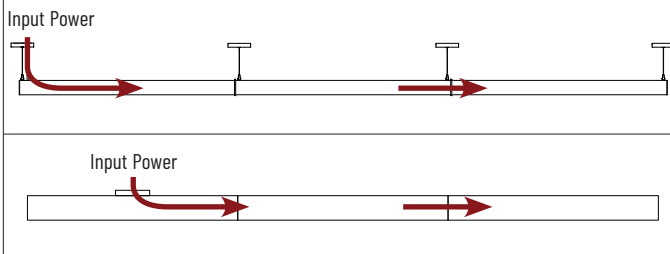
CONNECTING MULTIPLE LUMINAIRES

Determine type of system installation prior to mounting.

- LED system can be powered in a single direction with internal quick connects.
- LED system can be powered in multi-directions with wire harness kit (NLUD-MDPH, ordered separately).

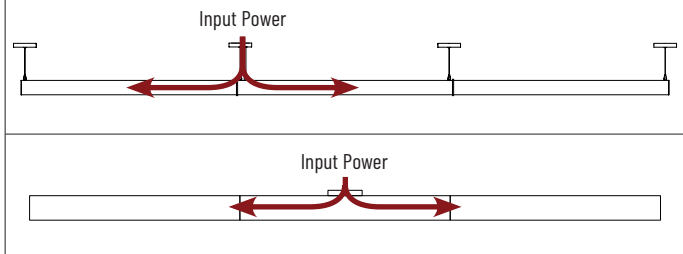
Single Direction Installation

For pendant mount instructions, proceed to page 2
For wall mount instructions, proceed to page 6



Multi-Direction Installation

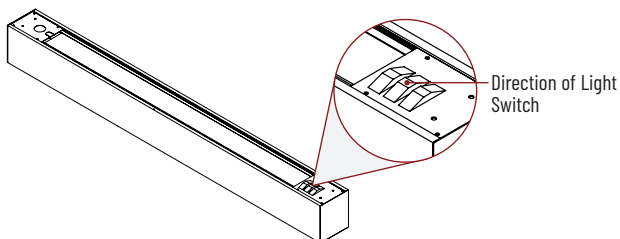
For pendant mount instructions, proceed to page 4
For wall mount instructions, proceed to page 8



CHANGING DIRECTION OF LIGHT

Note: LED Luminaires are preset at Direct and Indirect illumination

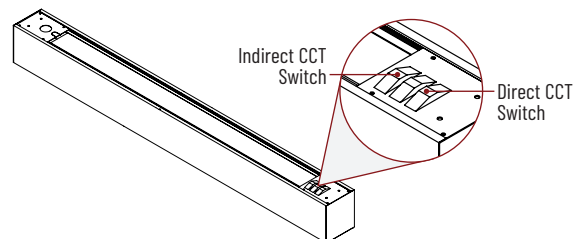
1. Before installing luminaires, determine direction of light.
2. Direction of light switch is located on the back of each luminaire.
3. Slide switch to the desired direction.



CHANGING COLOR TEMPERATURE

Note: LED luminaires are preset at 3000K in each direction of light

1. Before installing luminaires, determine color temperature for each direction of light.
2. Color temperature switches are located on the back of each luminaire.
3. Slide each switch to the desired color temperature.



Installation Instructions

NLUD-2334

L-Line LED Indirect / Direct Luminaire

READ PRIOR TO ATTEMPTING INSTALLATION
ALWAYS TURN OFF MAIN POWER BEFORE INSTALLATION
INSTALLATION SHOULD BE CARRIED OUT BY YOUR LOCAL ELECTRICIAN

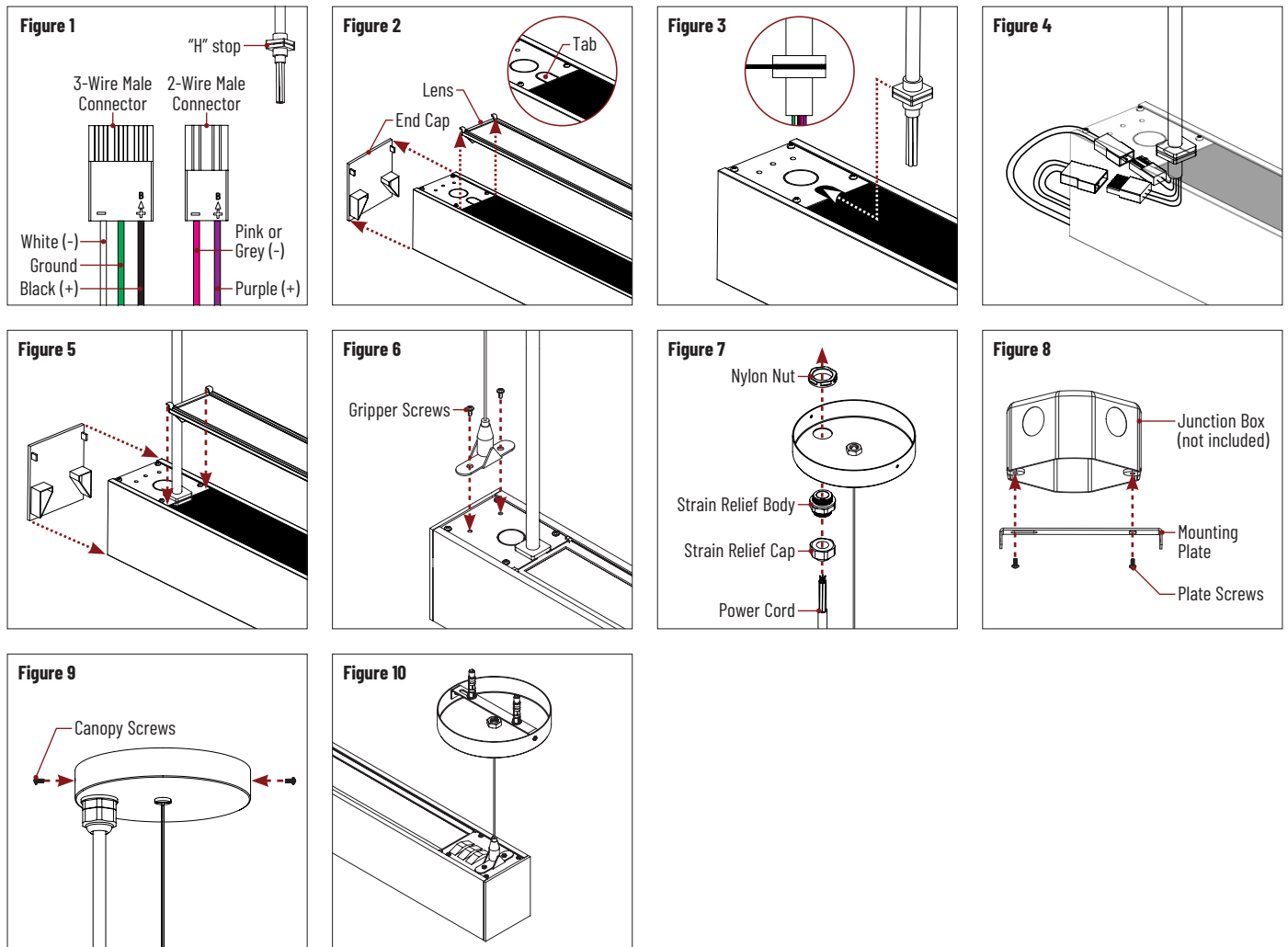
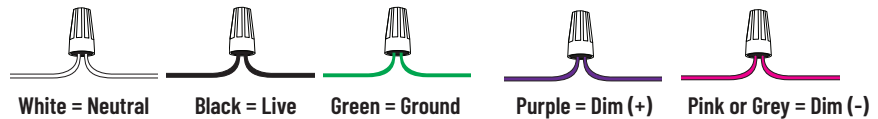
PENDANT MOUNTED: SINGLE LUMINAIRE INSTALLATION

⚠️ TURN OFF MAIN POWER BEFORE INSTALLATION

REQUIRES: NLUD-PCC (Ordered Separately)

1. Connect power cord (NLUD-PCC) to 3-wire male and 2-wire male quick connects provided with pendant power canopy (NLUD-PCC) on "H" stop end. Black, White & Green connect to 3-wire quick connect and Purple & Pink or Grey to 2-wire quick connect. (Figure 1)
2. Remove end cap, lens and tab from LED luminaire on power feed location. (Figure 2)
3. Slide power cord's "H" stop into tab on knockout plate. Confirm "H" sits between knockout plate. (Figure 3)
4. Connect power cord to luminaire's input wires. (Figure 4)
5. Insert wires inside luminaire, replace lens and end cap. (Figure 5)
6. Attach aircraft gripper to knockout plate with (2) gripper screws. (Figure 6)
7. Insert power cord through strain relief assembly to desired length and tighten strain relief cap. (Figure 8)
8. Cut power cord to desired length and strip for wiring. Connect wires to input voltage accordingly:
 - Black (120-347V) = Supply Voltage
 - White = Neutral
 - Green or Copper Wire = Grounding Junction Box Wire0-10V Wiring:
 - Purple = Dim (+)
 - Pink or Grey = Dim (-)
9. Carefully insert wires inside junction box and attach mounting plate with (2) plate screws. (Figure 8)
10. Attach canopy to mounting plate with (2) canopy screws. (Figure 9)
11. Assemble aircraft mounting kit and attach to second suspension point. (Figure 10)

0-10V DIMMING (Note: cap off 0-10V dimming wires if not used)



Installation Instructions

NLUD-2334

L-Line LED Indirect / Direct Luminaire

READ PRIOR TO ATTEMPTING INSTALLATION
ALWAYS TURN OFF MAIN POWER BEFORE INSTALLATION
INSTALLATION SHOULD BE CARRIED OUT BY YOUR LOCAL ELECTRICIAN

PENDANT MOUNTED: DAISY CHAIN MULTIPLE LUMINAIRES (SINGLE DIRECTION)

⚠️ TURN OFF MAIN POWER BEFORE INSTALLATION

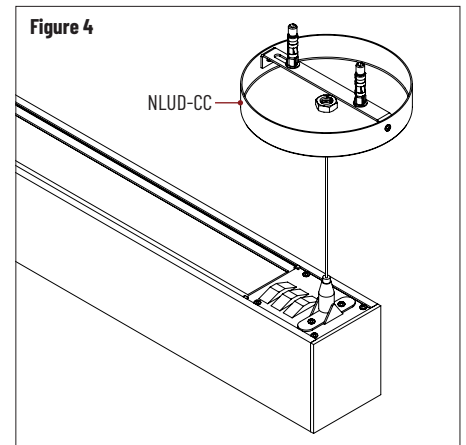
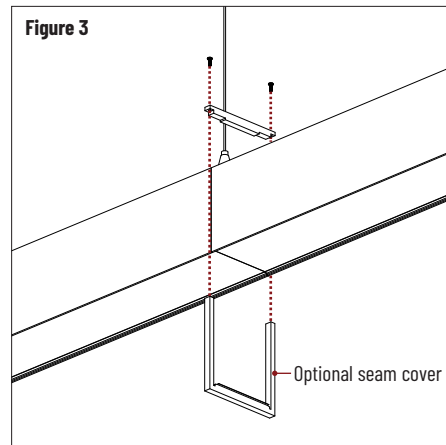
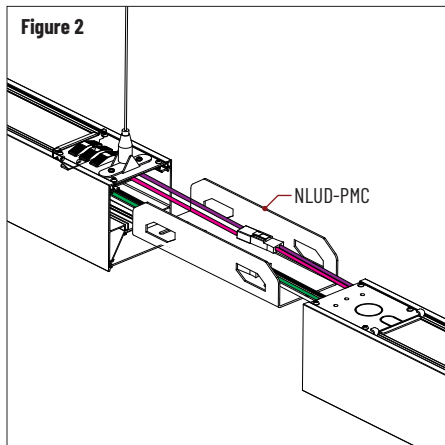
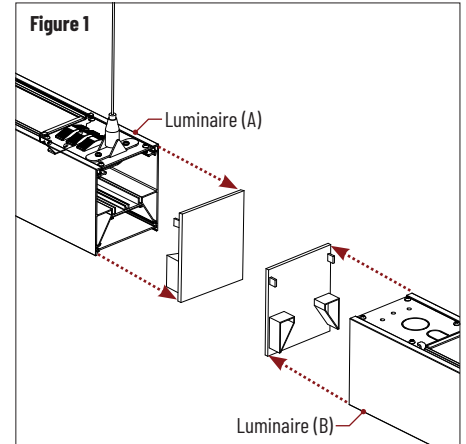
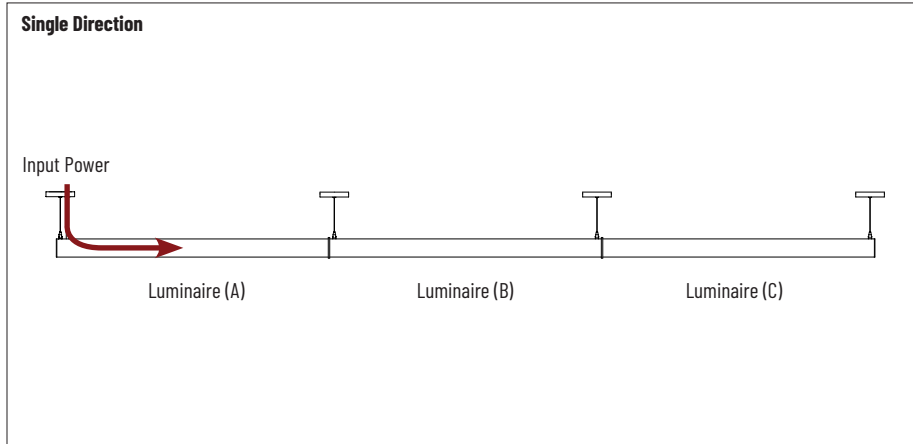
Refer to page 2 for power feed instructions.

1. Remove end cap on switch location from luminaire (A) and end cap on power feed location from luminaire (B). (Figure 1)
2. Connect luminaires' quick connects together. (Figure 2)
3. Insert daisy chain bracket (NLUD-PMC) into luminaires. Optional seam cover may be attached around luminaires. (Figure 3)
4. Attach aircraft mounting kit(s) to luminaire's (B) suspension point(s). (Figure 4)

For additional luminaires, repeat steps 1 to 4.

REQUIRES: NLUD-PMC (Ordered Separately)
NLUD-CC (Ordered Separately)

Maximum Wattage Per Run	
120VAC	420W
277VAC	969W
347VAC	1214W



Installation Instructions

NLUD-2334

L-Line LED Indirect / Direct Luminaire

READ PRIOR TO ATTEMPTING INSTALLATION
ALWAYS TURN OFF MAIN POWER BEFORE INSTALLATION
INSTALLATION SHOULD BE CARRIED OUT BY YOUR LOCAL ELECTRICIAN

PENDANT MOUNTED: DAISY CHAIN MULTIPLE LUMINAIRES (MULTI-DIRECTION)

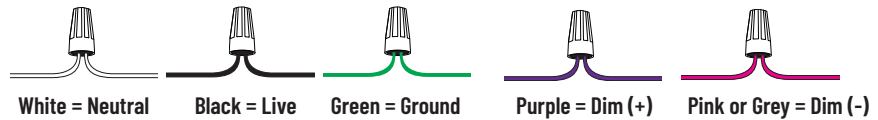
⚠️ TURN OFF MAIN POWER BEFORE INSTALLATION

REQUIRES: NLUD-MDPH (Ordered Separately)
NLUD-PMC (Ordered Separately)
NLUD-CC (Ordered Separately)

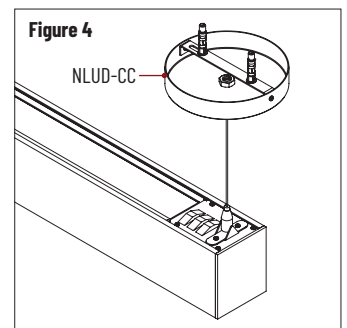
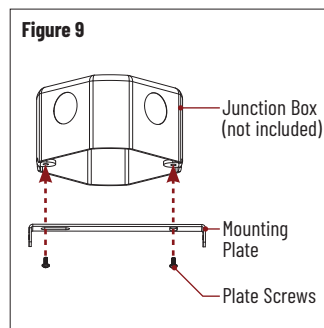
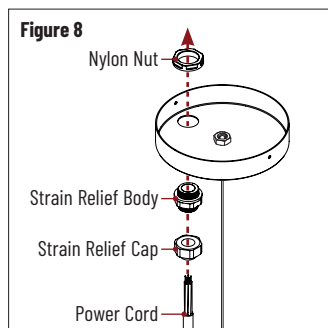
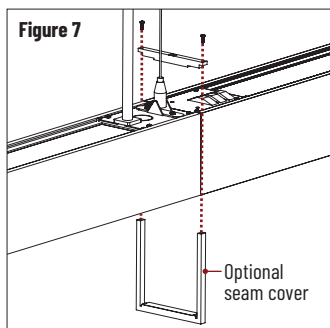
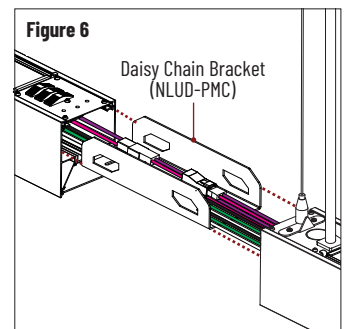
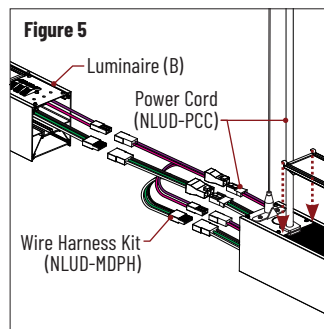
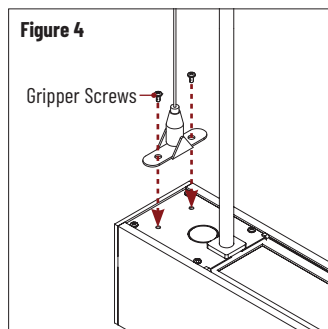
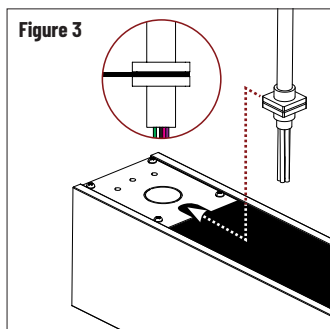
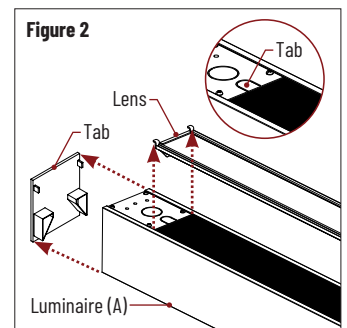
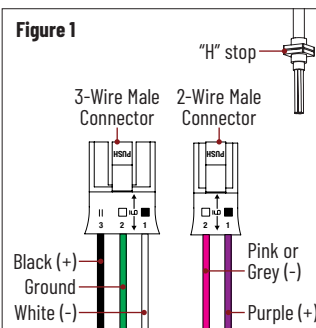
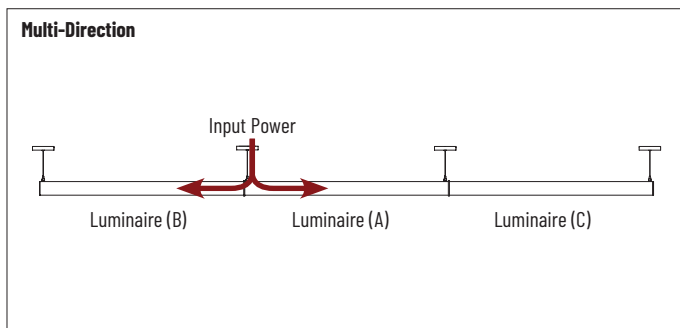
1. Connect power cord (NLUD-PCC) to 3-wire male and 2-wire male quick connects provided with wire harness kit (NLUD-MDPH) on "H" stop end. Black, White & Green connect to 3-wire quick connect and Purple & Pink or Grey to 2-wire quick connect. (Figure 1)
2. Remove end cap, lens and tab from Luminaire (A) on power feed location. (Figure 2)
3. Slide power cord's "H" stop into tab on knockout plate. Confirm "H" sits between knockout plate. (Figure 3)
4. Attach aircraft gripper to knockout plate with (2) gripper screws. (Figure 4)
5. Connect power cord to wire harness kit (NLUD-MDPH), connect wire harness to each luminaire accordingly and replace lens. (Figure 5)
6. Insert daisy chain bracket (NLUD-PMC) into both luminaires. **Note:** Place wire harness and connections inside daisy chain bracket. (Figure 6)
7. Insert power cord through strain relief assembly to desired length and tighten strain relief cap. (Figure 8)
8. Cut power cord to desired length and strip for wiring. Connect wires to input voltage accordingly:
 - Black (120-347V) = Supply Voltage
 - White = Neutral
 - Green or Copper Wire = Grounding Junction Box Wire

Maximum Wattage Per Run	
120VAC	420W
277VAC	969W
347VAC	1214W

0-10V DIMMING (Note: cap off 0-10V dimming wires if not used)



9. Carefully insert wires inside junction box and attach mounting plate with (2) plate screws. (Figure 8)
10. Attach canopy to mounting plate with (2) canopy screws. (Figure 9)
11. Assemble aircraft mounting kit and attach to second suspension point. (Figure 10)



Installation Instructions

NLUD-2334

L-Line LED Indirect / Direct Luminaire

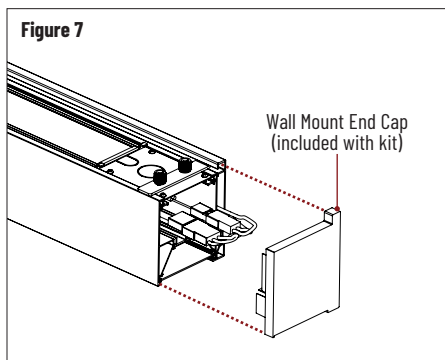
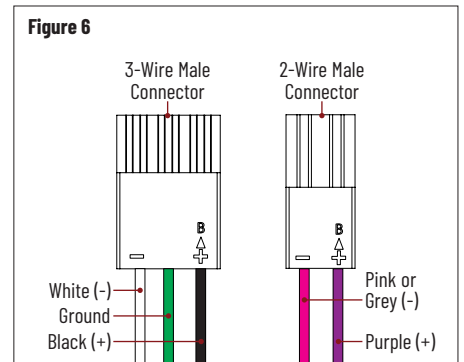
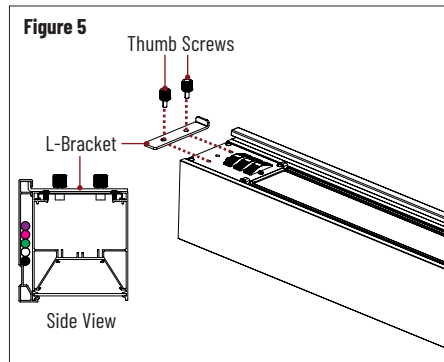
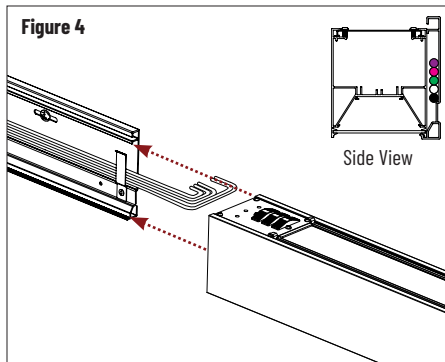
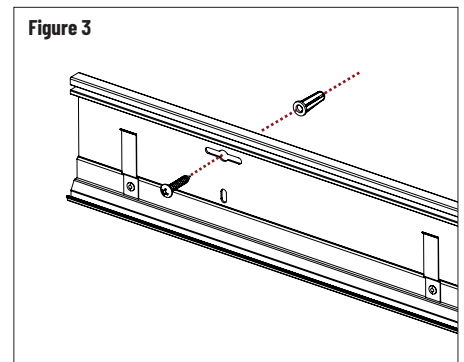
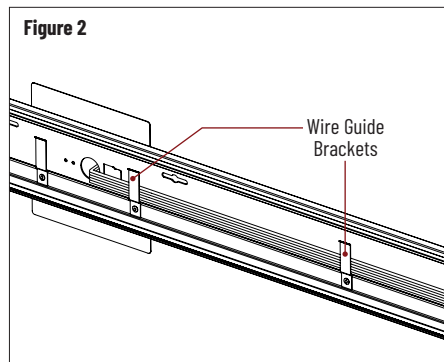
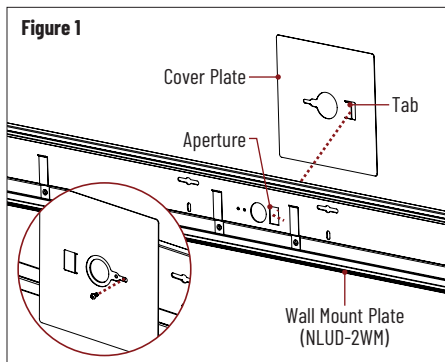
READ PRIOR TO ATTEMPTING INSTALLATION
ALWAYS TURN OFF MAIN POWER BEFORE INSTALLATION
INSTALLATION SHOULD BE CARRIED OUT BY YOUR LOCAL ELECTRICIAN

WALL MOUNTED: SINGLE LUMINAIRE INSTALLATION

⚠️ TURN OFF MAIN POWER BEFORE INSTALLATION

1. Assemble wall mount kit (NLUD-2WM) by attaching cover plate to wall mount plate.
Slide cover's tab into rectangular aperture on wall mount plate. Attach screw to the back of the cover plate. (Figure 1)
2. Route power cord through cover plate and wire accordingly with wire nuts inside junction box:
 - Black (120-347V) = Supply Voltage
 - White = Neutral
 - Green or Copper Wire = Grounding Junction Box Wire0-10V Wiring:
 - Purple = Dim (+)
 - Pink or Grey = Dim (-)
3. Determine orientation of luminaire as power cord must be routed to power feed location. Route the power cord behind wire guide brackets. (Figure 2)
4. Mount wall mount plate to surface with cover plate placed over junction box. Drywall anchors are provided, if necessary. (Figure 3)
5. Remove both end caps on luminaire and carefully slide through wall plate. **NOTE:** Luminaire must be wired on power feed location. (Figure 4)
6. Slide L-Brackets into each end of wall mount plate and attach brackets to luminaire with thumb screws. (Figure 5)
7. Connect power cord to 3-wire male and 2-wire male quick connects provided with wall mount kit (NLUD-2WM). (Figure 6)
8. Connect power cord to luminaire's input wires and insert wires inside fixture body. Place wall mount end caps provided with wall mount kit (NLUD-2WM) onto both ends. (Figure 7)

REQUIRES: NLUD-2WM (Ordered Separately)



Installation Instructions

NLUD-2334

L-Line LED Indirect / Direct Luminaire

READ PRIOR TO ATTEMPTING INSTALLATION
ALWAYS TURN OFF MAIN POWER BEFORE INSTALLATION
INSTALLATION SHOULD BE CARRIED OUT BY YOUR LOCAL ELECTRICIAN

WALL MOUNTED: DAISY CHAIN MULTIPLE LUMINAIRES (SINGLE DIRECTION)

⚠️ TURN OFF MAIN POWER BEFORE INSTALLATION

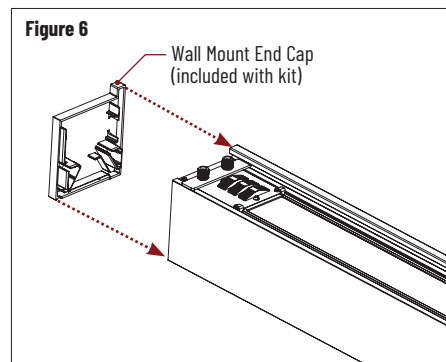
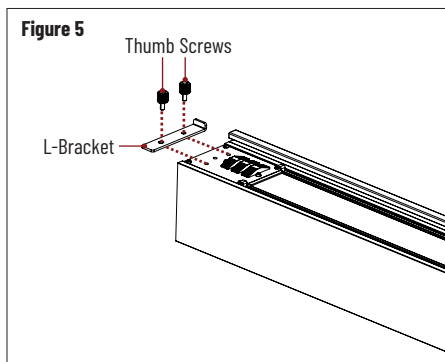
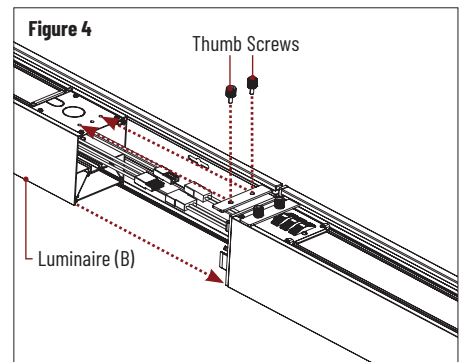
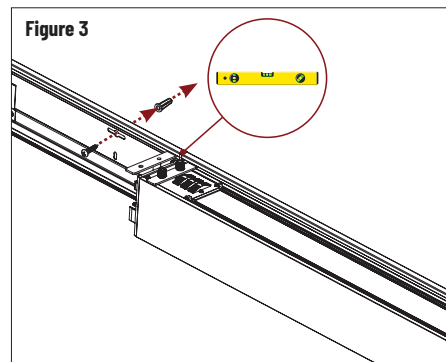
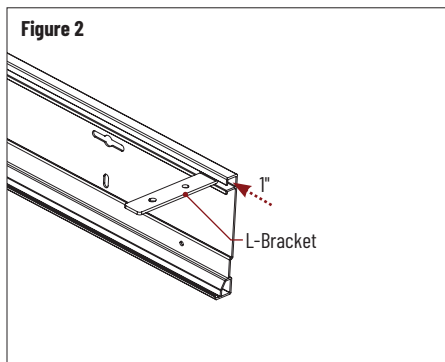
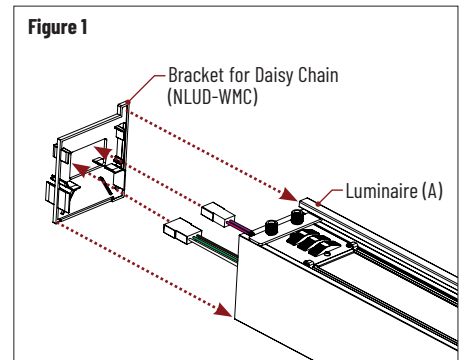
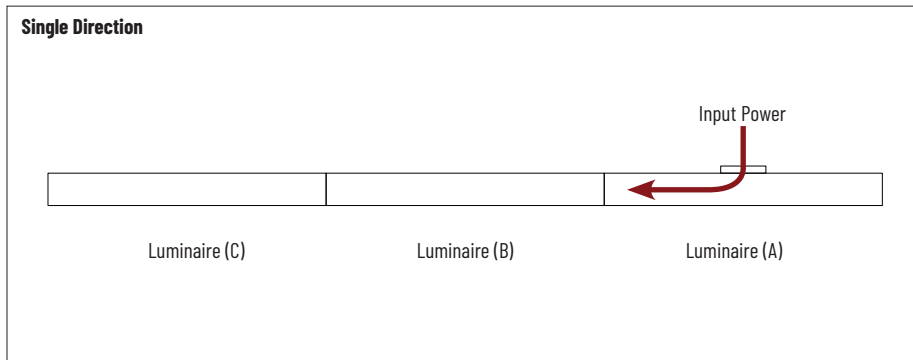
Install first wall mount kit and luminaire (refer to page 5).

1. Insert quick connect wires from luminaire (A) through daisy chain bracket (NLUD-WMC) and attach bracket to luminaire. (Figure 1)
2. Slide L-Brackets into second wall plate about 1" from each end. (Figure 2)
3. Level second wall mount plate flush against daisy chain bracket and attach with screws. Drywall anchors are provided, if necessary. (Figure 3)
4. Remove both end caps on luminaire (B) and attach quick connects to luminaire (A). **NOTE:** Luminaire (B) must connect to power feed location. (Figure 4)
5. Slide luminaire into wall plate and fasten L-Brackets with thumb screws. (Figure 5)
6. Place second end cap provided with wall mount kit over last end. (Figure 6)

For additional luminaires, repeat steps 1 to 6.

REQUIRES: NLUD-WMC (Ordered Separately)
NLUD-xWM (Ordered Separately)

Maximum Wattage Per Run	
120VAC	420W
277VAC	969W
347VAC	1214W



Installation Instructions

NLUD-2334

L-Line LED Indirect / Direct Luminaire

READ PRIOR TO ATTEMPTING INSTALLATION
ALWAYS TURN OFF MAIN POWER BEFORE INSTALLATION
INSTALLATION SHOULD BE CARRIED OUT BY YOUR LOCAL ELECTRICIAN

WALL MOUNTED: DAISY CHAIN MULTIPLE LUMINAIRES (MULTI-DIRECTION)

⚠️ TURN OFF MAIN POWER BEFORE INSTALLATION

Refer to steps 1 to 6 on page 5.

1. Insert power cord routed behind luminaire through slot in daisy chain bracket (NLUD-WMC) and attach bracket to luminaire. (Figure 1)
2. Connect power cord to 3-wire male and 2-wire male quick connects provided with wire harness kit (NLUD-MDPH).
Black, White & Green connect to 3-wire quick connect and Purple & Pink or Grey to 2-wire quick connect. (Figure 2)
3. Slide L-Brackets into second wall plate about 1" from each end.
Level second wall mount plate flush against daisy chain bracket and attach with screws. (Figure 3)
4. Insert power cord to quick connects provided with wire harness (NLUD-MDPH). (Figure 4)
5. Connect power cord to wire harness input and connect wire harness to each luminaire accordingly. (Figure 4)
6. Carefully route wires inside luminaires and fasten thumb screws to L-brackets. (Figure 5)
7. Replace end caps provided with wall mount kit. (Figure 6)

REQUIRES: NLUD-MDPH (Ordered Separately)
NLUD-WMC (Ordered Separately)
NLUD-xWM (Ordered Separately)

Maximum Wattage Per Run	
120VAC	420W
277VAC	969W
347VAC	1214W

