

Installation Instructions

NIO-4PSTLA

4" Iolite PLUS Square Trimless Adjustable

READ PRIOR TO ATTEMPTING INSTALLATION
ALWAYS TURN OFF MAIN POWER BEFORE INSTALLATION
INSTALLATION SHOULD BE CARRIED OUT BY YOUR LOCAL ELECTRICIAN

⚠ IMPORTANT - This equipment is intended to be installed only by qualified personnel. The installation must be made in accordance with the current edition of the National Electrical Code and all applicable state and local building codes. The final installation must be approved by the appropriate, qualified electrical/building inspector(s). Improper installation may result in a fire or electrical hazard. Be sure the electrical power to the circuit has been disconnected before installing this electrical system.

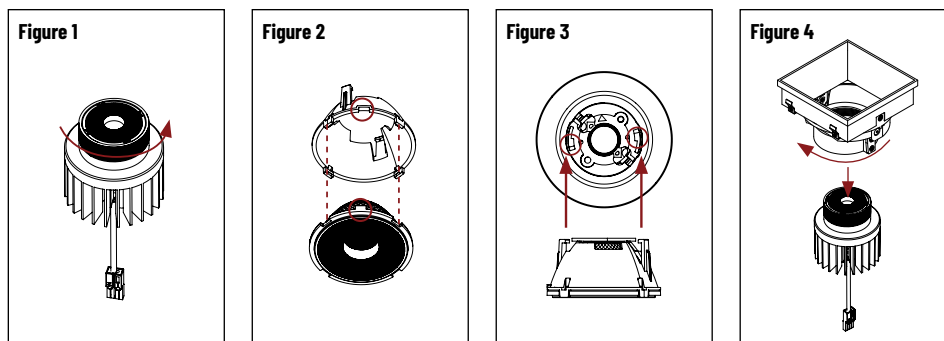
⚠ IMPORTANT - Cet équipement est destiné à être installé uniquement par du personnel qualifié. L'installation doit être faite conformément à l'édition actuelle du Code national de l'électricité et à tous les codes de construction locaux et nationaux applicables. L'installation finale doit être approuvée par un ou plusieurs inspecteurs qualifiés en électricité / bâtiment. Une installation incorrecte peut entraîner un incendie ou un risque électrique. Assurez-vous que l'alimentation électrique du circuit a été déconnectée avant d'installer ce système électrique.

COMPATIBLE HOUSINGS	DESCRIPTION	REQUIRED MUD RING
NHIOICD-4PS15	4" Iolite IC Air-Tight New Construction Housing, 20W	NIO-TLMR-4PS
NHIOICDCP-4PS15	4" Iolite Chicago Plenum New Construction Housing, 20W	NIO-TLMR-4PS
NHIOICD-4PS20	4" Iolite IC Air-Tight New Construction Housing, 24W	NIO-TLMR-4PS
NHIOICDCP-4PS20	4" Iolite Chicago Plenum New Construction Housing, 24W	NIO-TLMR-4PS

ASSEMBLE LED MODULE / CHANGING OPTIC

Note: LED module comes pre-installed with narrow flood TIR optic.

1. To change optic to turn optic/holder counterclockwise to unlock, or proceed to step 4. (Figure 1)
2. Carefully, separate the optic from the holder and align the clips of the holder with the notches of the replacement optic. (Figure 2)
3. Align the optic/holder to the LED module. (Figure 3) Twist the optic/holder clockwise to lock.
4. Attach trim to LED module and turn clockwise to lock. (Figure 4)



INSTALLATION INSTRUCTIONS

⚠ IMPORTANT: Connector is not intended to support weight of the fixture. Please support fixture at all times.

1. Make sure power is off, mud ring (ordered separately) is installed and plaster is dry.
2. Connect orange male connector to female connector of compatible housing listed on the correlation label. (Figure 1)
3. Insert trim into mud ring, make sure it snaps flush. (Figure 2)
4. Turn power back on.

