

# Installation Instructions

## NLTH-4ITW

### 4" Theia LED Downlight with Selectable CCT

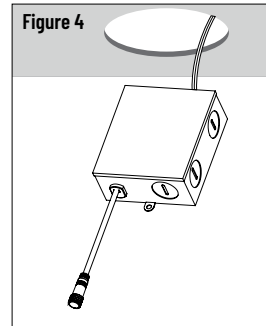
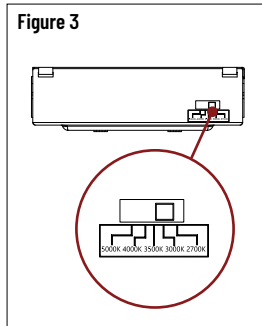
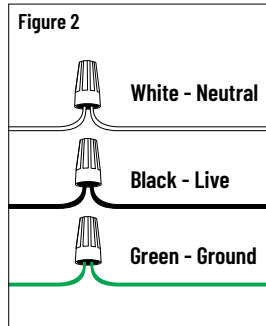
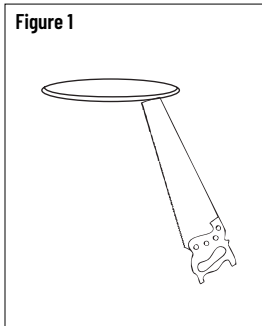
**READ PRIOR TO ATTEMPTING INSTALLATION**  
**ALWAYS TURN OFF MAIN POWER BEFORE INSTALLATION**  
**INSTALLATION SHOULD BE CARRIED OUT BY YOUR LOCAL ELECTRICIAN**

- ⚠ WARNING** - Risk of fire or electric shock. LED Kit installation requires knowledge of luminaire electrical systems. If not qualified, do not attempt installation. Contact a qualified electrician.
- ⚠ WARNING** - Risk of fire or electric shock. Install this kit only in luminaires that have the construction features and dimensions shown in the photographs and / or drawings and where the input rating of the retrofit kit does not exceed the input rating of the luminaire.
- ⚠ WARNING** - To prevent wiring damage or abrasion, do not expose wiring to edges of sheet metal or other sharp objects.
- ⚠ WARNING** - This equipment is intended to be installed only by qualified personnel. The installation must be made in accordance with the current edition to the National Electric Code and all applicable state and local building codes. The final installation must be approved by the appropriate qualified electrical/building inspector(s). Improper installation may result in a fire or electrical hazard. Be sure the electrical power to the circuit has been disconnected before installing this electrical system.
- ⚠ AVERTISSEMENT** - Risque d'incendie ou d'électrocution. L'installation du kit LED requiert la connaissance des systèmes électriques des luminaires. Si vous n'êtes pas qualifié, ne tentez pas l'installation. Contactez un électricien qualifié.
- ⚠ AVERTISSEMENT** - Risque d'incendie ou de choc électrique. N'installez ce kit que dans des luminaires ayant les caractéristiques de construction et les dimensions indiquées sur les photographies et / ou les dessins et dont la valeur d'entrée du kit de conversion ne dépasse pas la puissance nominale du luminaire.
- ⚠ AVERTISSEMENT** - Pour éviter d'endommager le câblage ou l'abrasion, n'exposez pas le câblage aux bords de la tôle ou d'autres objets pointus.
- ⚠ AVERTISSEMENT** - Cet équipement est destiné à être installé uniquement par du personnel qualifié. L'installation doit être faite en conformité avec l'édition actuelle du Code national de l'électricité et toutes étatiques et locales codes du bâtiment applicables. L'installation finale doit être approuvée par l'inspecteur en électricité / bâtiment qualifié approprié(s). Une mauvaise installation peut entraîner un incendie ou un risque électrique. Soyez sûr de la puissance électrique vers le circuit a été coupée avant l'installation de ce système électrique.

## JUNCTION BOX INSTALLATION

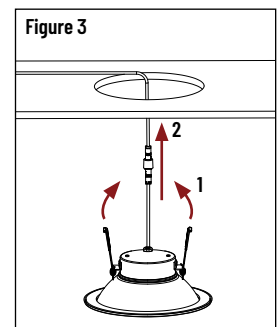
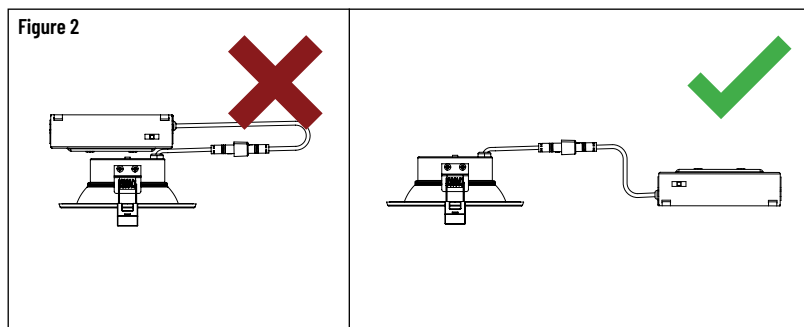
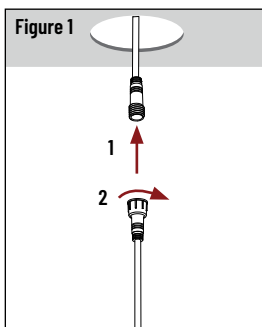
### ⚠ TURN OFF MAIN POWER BEFORE INSTALLATION

1. Make sure power is off.
2. Locate a suitable position to install luminaire and cut a 4- $\frac{1}{4}$ " diameter hole in the ceiling. (Figure 1)
3. Run power supply leads through the hole. Use NMD90 Romex or BX Cable.
4. Open the remote driver box's cover and remove the appropriate knockouts.
5. Insert power supply leads through the knockout and secure with a cable connector. (not included)
6. Using push-in connectors, connect the same colored power supply lead wires to the fixture wires. (Figure 2)
7. Place all wiring and connections back into the remote driver box and close the cover.
8. Select desired color temperature on remote driver box. **Note:** Luminaire is preset to 3000K and may have been changed in shipping / handling / installation. (Figure 3)
9. Place junction box through the mounting hole and secure. (Figure 4)



## LUMINAIRE INSTALLATION

1. Connect the luminaire to the junction box by inserting and twisting the male/female connectors. (Figure 1)
2. Do not place junction box above luminaire. (Figure 2)
3. Push spring loaded clips on the fixture upwards and insert fixture base into the mounting hole. Release the clips and fixture will be pulled flush to the ceiling. (Figure 3)
4. Once assembly is complete, turn on power to confirm fixture is working properly.



# Installation Instructions

NLTH-41TW

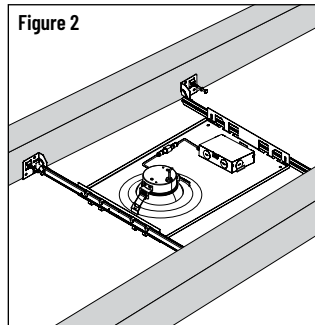
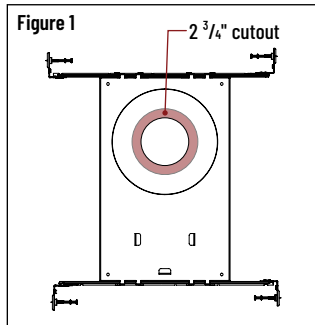
4" Theia LED Downlight with Selectable CCT

READ PRIOR TO ATTEMPTING INSTALLATION  
ALWAYS TURN OFF MAIN POWER BEFORE INSTALLATION  
INSTALLATION SHOULD BE CARRIED OUT BY YOUR LOCAL ELECTRICIAN

## NEW CONSTRUCTION FRAME-IN INSTALLATION

### REQUIRES: NF-R246 (Ordered Separately)

1. Turn off power from the electrical panel before starting installation.
2. Remove the 2 3/4" metal cutout to obtain a 4" cutout. (Figure 1)
3. Adjust the hanger bars to the desired length.
4. Secure new construction frame-in into joist. Adjust the frame-in to the desired location. (Figure 2)
5. Cut a 4" diameter hole in ceiling through center of frame-in.
6. Run power supply leads through the ceiling cut out.



## NEW CONSTRUCTION PLATE INSTALLATION

### REQUIRES: NFP-R413 (Ordered Separately)

1. Turn off power from the electrical panel before starting installation.
2. Screw new construction plate (NFP-R413) to joist. Adjust the plate to the desired location. (Figure 1)
3. Install the mounting surface and cut a 4-1/4" diameter hole through center of plate.
4. Run power supply leads through the ceiling cut-out.

