

Wall Mounted Installation Instructions

NLUD-4334/EM

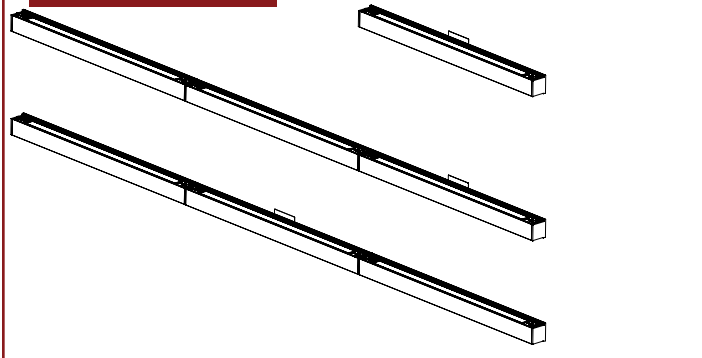
L-Line LED Indirect / Direct Luminaire

READ PRIOR TO ATTEMPTING INSTALLATION
ALWAYS TURN OFF MAIN POWER BEFORE INSTALLATION
INSTALLATION SHOULD BE CARRIED OUT BY YOUR LOCAL ELECTRICIAN

⚠ WARNING - This equipment is intended to be installed only by qualified personnel. The installation must be made in accordance with the current edition to the National Electric Code and all applicable state and local building codes. The final installation must be approved by the appropriate qualified electrical/building inspector(s). Improper installation may result in a fire or electrical hazard. Be sure the electrical power to the circuit has been disconnected before installing this electrical system.

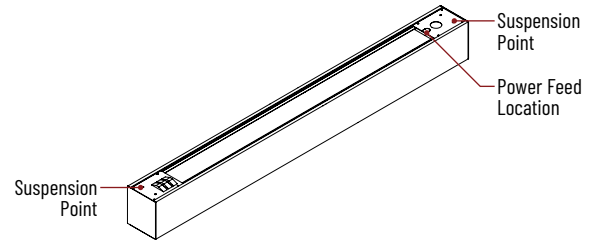
⚠ AVERTISSEMENT - Cet équipement est destiné à être installé uniquement par du personnel qualifié. L'installation doit être faite en conformité avec l'édition actuelle du Code national de l'électricité et toutes étatiques et locales codes du bâtiment applicables. L'installation finale doit être approuvée par l'inspecteur en électricité / bâtiment qualifié approprié(s). Une mauvaise installation peut entraîner un incendie ou un risque électrique. Soyez sûr de la puissance électrique vers le circuit a été coupée avant l'installation de ce système électrique.

TYPES OF INSTALLATION



POWER FEED AND SUSPENSION POINTS

Luminaire must be powered at power feed location

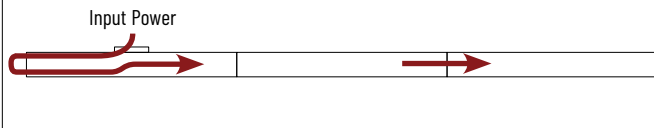


CONNECTING MULTIPLE LUMINAIRES

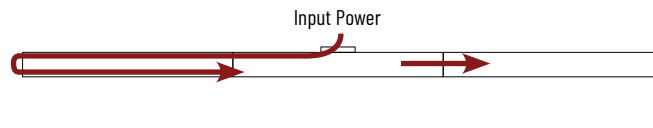
Determine type of system installation prior to mounting.

- LED system can be powered in a single direction with internal quick connects
- LED system can be powered in middle of run with 20' power cord (NLUD-WPC/6W-20, ordered separately)

Single Direction Installation



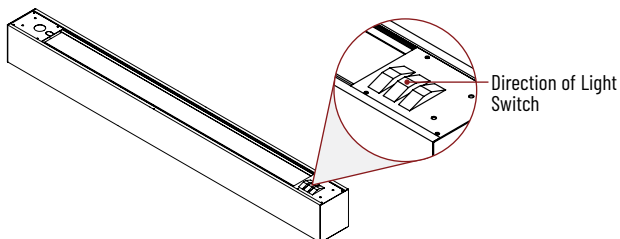
Single Direction Installation with Junction Box in middle of system



CHANGING DIRECTION OF LIGHT

Note: LED Luminaires are preset at Direct and Indirect illumination

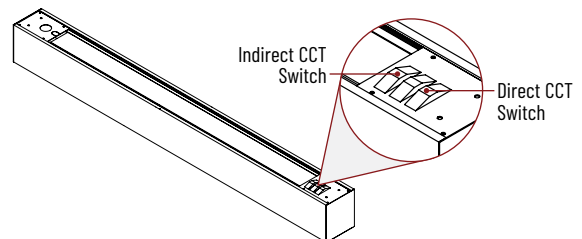
1. Before installing luminaires, determine direction of light.
2. Direction of light switch is located on the top of each luminaire.
3. Slide switch to the desired direction.



CHANGING COLOR TEMPERATURE

Note: LED luminaires are preset at 3000K in each direction of light

1. Before installing luminaires, determine color temperature for each direction of light.
2. Color temperature switches are located on the top of each luminaire.
3. Slide each switch to the desired color temperature.



Wall Mounted Installation Instructions

NLUD-4334/EM

L-Line LED Indirect / Direct Luminaire

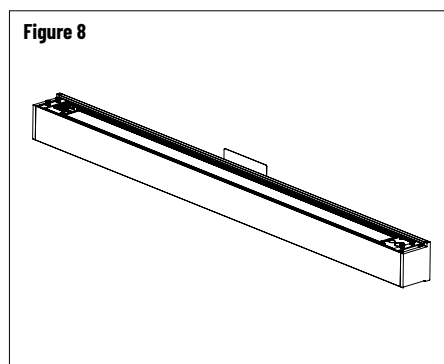
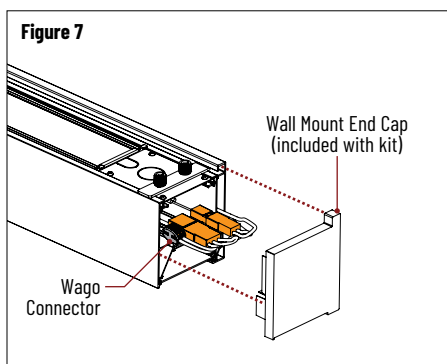
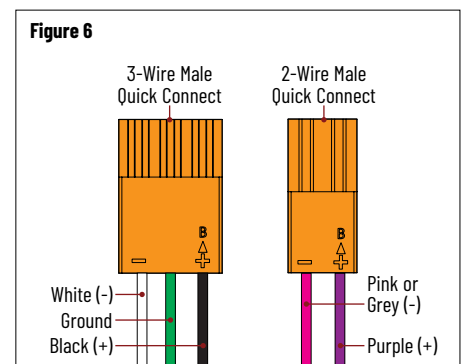
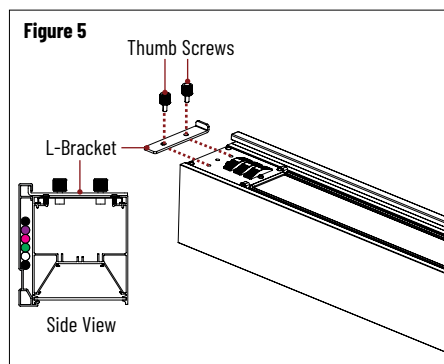
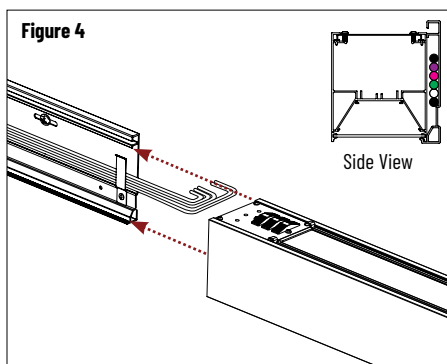
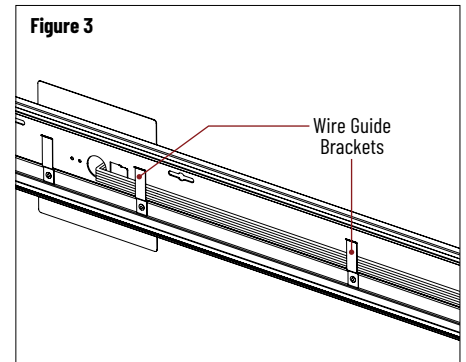
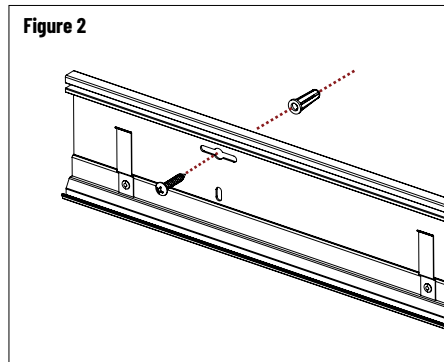
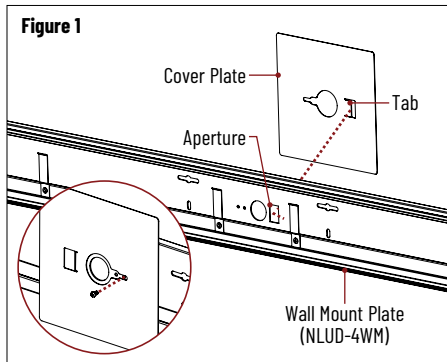
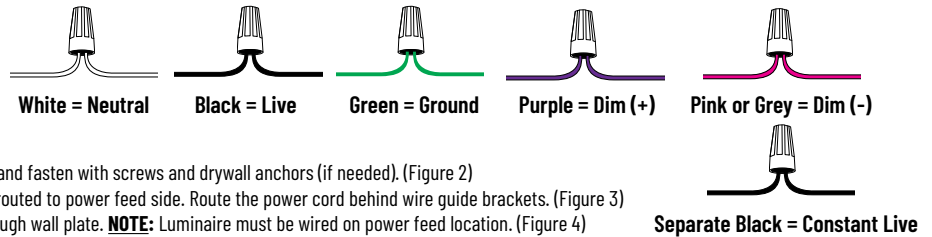
READ PRIOR TO ATTEMPTING INSTALLATION
 ALWAYS TURN OFF MAIN POWER BEFORE INSTALLATION
 INSTALLATION SHOULD BE CARRIED OUT BY YOUR LOCAL ELECTRICIAN

WALL MOUNTED: SINGLE LUMINAIRE INSTALLATION

⚠️ TURN OFF MAIN POWER BEFORE INSTALLATION

REQUIRES: NLUD-4WM/6W (Ordered Separately)

1. Assemble wall mount kit (NLUD-4WM/6W) by attaching cover plate to wall mount plate. Slide cover's tab into rectangular aperture on wall mount plate. Attach set screw to the back of the cover plate. (Figure 1)
2. Route power cord and black wire (included) through cover plate and wire accordingly with wire nuts inside junction box:
 - Black (120-347V) = Supply Voltage
 - Separate Black = Constant Supply Voltage
 - White = Neutral
 - Green or Copper Wire = Grounding Junction Box Wire
 - 0-10V Wiring:
 - Purple = Dim (+)
 - Pink or Grey = Dim (-)
3. Mount the wall plate with cover plate over the junction box and fasten with screws and drywall anchors (if needed). (Figure 2)
4. Determine orientation of luminaire as power cord must be routed to power feed side. Route the power cord behind wire guide brackets. (Figure 3)
5. Remove both end caps on luminaire and carefully slide through wall plate. **NOTE:** Luminaire must be wired on power feed location. (Figure 4)
6. Slide L-Brackets into each end of wall mount plate and attach brackets to luminaire with thumb screws. (Figure 5)
7. Connect power cord to 3-wire male and 2-wire male quick connects (included with NLUD-4WM/6W). (Figure 6)
8. Connect power cord to luminaire's input wires, connect the separate black wire to black wire from EM driver and tuck wires into the luminaire.
9. Place wall mount end caps (included with NLUD-4WM/6W) onto both ends. (Figure 7)
10. Installation complete for single luminaire. (Figure 8) **NOTE:** For additional luminaires proceed to page 6.



Wall Mounted Installation Instructions

NLUD-4334/EM

L-Line LED Indirect / Direct Luminaire

READ PRIOR TO ATTEMPTING INSTALLATION
ALWAYS TURN OFF MAIN POWER BEFORE INSTALLATION
INSTALLATION SHOULD BE CARRIED OUT BY YOUR LOCAL ELECTRICIAN

WALL MOUNTED: DAISY CHAIN MULTIPLE LUMINAIRES (FEEDING FROM THE FIRST LUMINAIRE)

⚠️ TURN OFF MAIN POWER BEFORE INSTALLATION

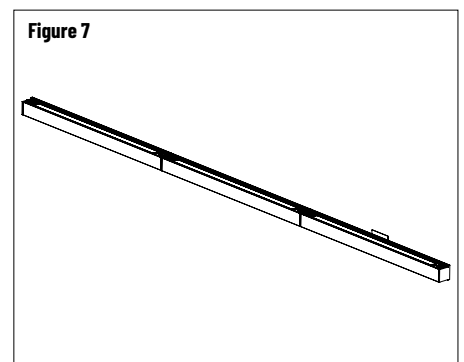
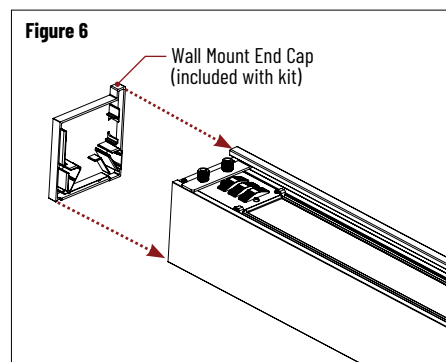
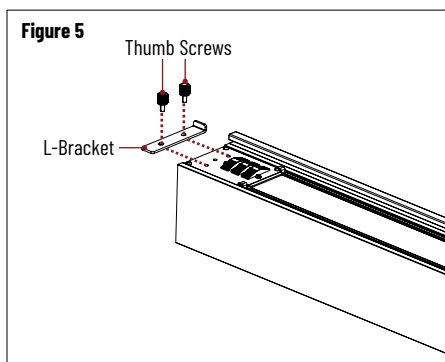
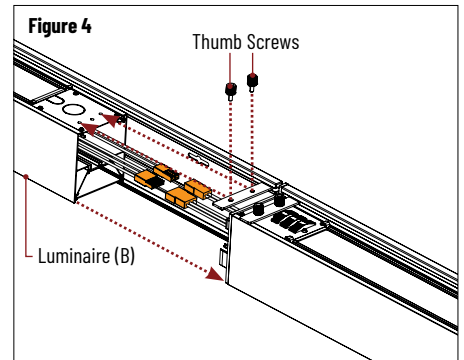
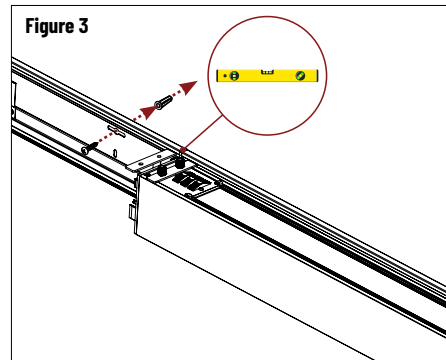
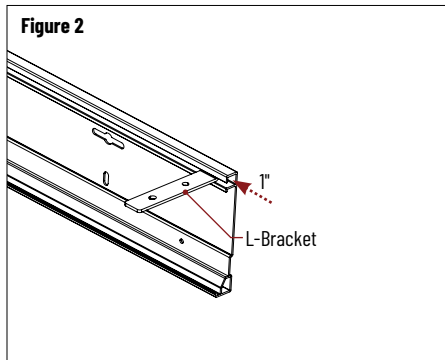
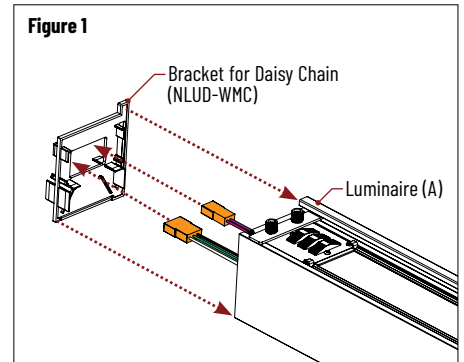
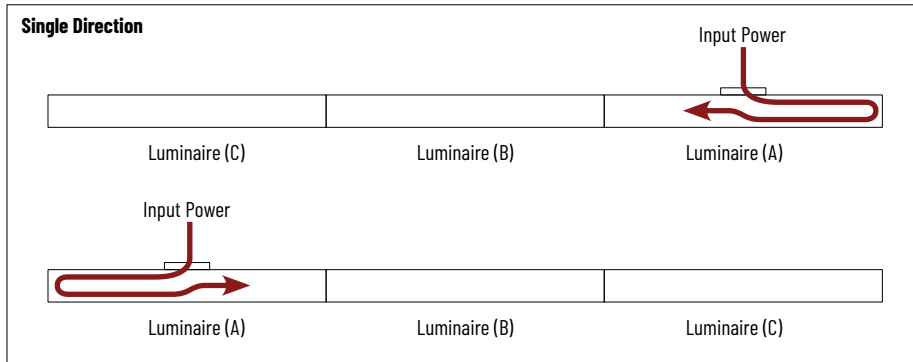
Install first wall mount kit and luminaire (refer to page 5).

1. Insert quick connect wires from luminaire (A) through daisy chain bracket (NLUD-WMC) and attach bracket to luminaire. (Figure 1)
2. Slide L-Brackets into second wall plate about 1" from each end. (Figure 2)
3. Level second wall mount plate flush against daisy chain bracket and attach with screws and drywall anchors (if needed). (Figure 3)
4. Remove both end caps on luminaire (B) and attach quick connects to luminaire (A). **NOTE:** Luminaire (B) must connect to power feed side. (Figure 4)
5. Slide luminaire into wall plate and fasten L-Brackets with thumb screws. (Figure 5)
6. Place second end cap provided with wall mount kit over last end. (Figure 6)
7. Installation complete. (Figure 7)

For additional luminaires, repeat steps 1 to 6. **NOTE:** Maximum wattage per run is 420W, operating over max. wattage will lead to failure and void warranty.

REQUIRES: NLUD-WMC (Ordered Separately)
NLUD-xWM (Ordered Separately)

Maximum Wattage Per Run: 420W



Wall Mounted Installation Instructions

NLUD-4334/EM

L-Line LED Indirect / Direct Luminaire

READ PRIOR TO ATTEMPTING INSTALLATION
ALWAYS TURN OFF MAIN POWER BEFORE INSTALLATION
INSTALLATION SHOULD BE CARRIED OUT BY YOUR LOCAL ELECTRICIAN

WALL MOUNTED: DAISY CHAIN MULTIPLE LUMINAIRES (FEED FROM THE MIDDLE OF THE RUN)

⚠️ TURN OFF MAIN POWER BEFORE INSTALLATION

1. Replace the power cord included with wall mount kit (NLUD-4WM/6W) with 20' power cord (NLUD-WPC/6W-20) and adjust to required length.
2. Follow steps 1 to 6 on Page 2.
3. Insert power cord routed behind luminaire through slot in daisy chain bracket (NLUD-WMC) and attach bracket to luminaire. (Figure 1)
4. Slide L-Brackets into each end of wall mount plate and install flush against daisy chain bracket with screws and drywall anchors (if needed). (Figure 2)
5. Continue routing the power cord behind wire guide brackets and luminaire (B). (Figure 3)
6. Remove both end caps on luminaire (B), connect luminaire's quick connects together and attach L-Brackets with thumb screws. (Figure 4)
7. Connect power cord to luminaire (B) input wires, connect the separate black wire to black wire from EM driver and tuck wires into the luminaire. Place wall mount end cap (included with NLUD-4WM/6W). (Figure 5)

REQUIRES: NLUD-WPC/6W-20 (Ordered Separately)
NLUD-WMC (Ordered Separately)
NLUD-xWM (Ordered Separately)

Maximum Wattage Per Run: 420W

For additional luminaires, use internal quick connects (see page 6). **NOTE:** Maximum wattage per run is 420W, operating over max. wattage will lead to failure and void warranty.

