

Installation Instructions

NFJB-R4

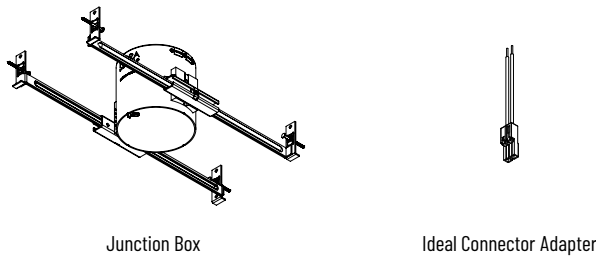
4" Junction Box for Luminaire

READ PRIOR TO ATTEMPTING INSTALLATION
ALWAYS TURN OFF MAIN POWER BEFORE INSTALLATION
INSTALLATION SHOULD BE CARRIED OUT BY YOUR LOCAL ELECTRICIAN

⚠ IMPORTANT - This equipment is intended to be installed only by qualified personnel. The installation must be made in accordance with the current edition of the National Electrical Code and all applicable state and local building codes. The final installation must be approved by the appropriate, qualified electrical/building inspector(s). Improper installation may result in a fire or electrical hazard. Be sure the electrical power to the circuit has been disconnected before installing this electrical system.

⚠ IMPORTANT - Cet équipement est destiné à être installé uniquement par du personnel qualifié. L'installation doit être faite conformément à l'édition actuelle du Code national de l'électricité et à tous les codes de construction locaux et nationaux applicables. L'installation finale doit être approuvée par un ou plusieurs inspecteurs qualifiés en électricité / bâtiment. Une installation incorrecte peut entraîner un incendie ou un risque électrique. Assurez-vous que l'alimentation électrique du circuit a été déconnectée avant d'installer ce système électrique.

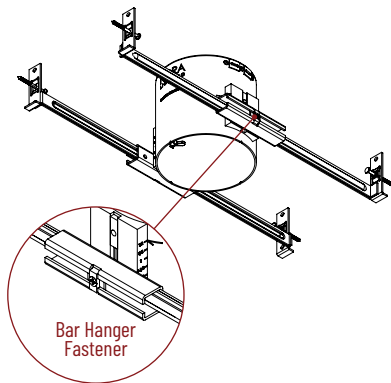
PACKAGING CONTENTS



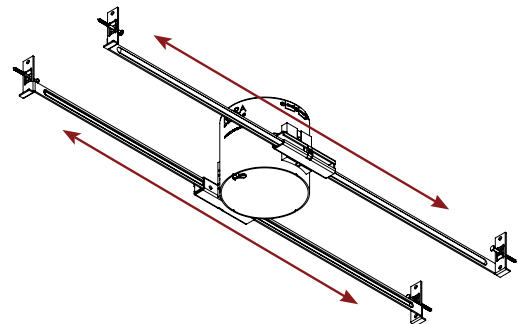
LUMINAIRE INSTALLATION

⚠ TURN OFF MAIN POWER BEFORE INSTALLATION

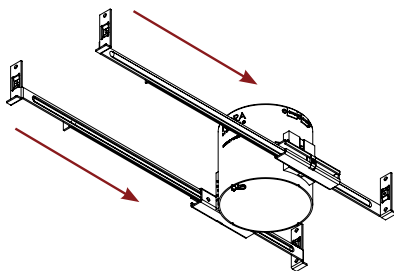
1 Loosen the bar hanger fastener to extend the bar hangers.



2 Bar hangers may extend from 14-5/8" minimum to 25-1/2" maximum.

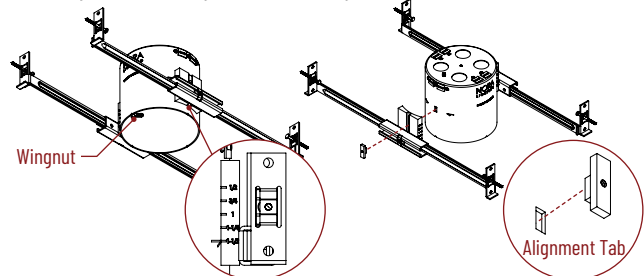


3 Slide the junction box to desired location and tighten the bar hanger fastener to secure.



4 Slightly loosen the wingnut by a quarter-turn to adjust the junction box flush to the ceiling. Tighten wingnut to secure.

⚠ CAUTION: The bar hanger assembly has an alignment tab. If wingnut is over loosened, it may cause the alignment tab to misalign. Simply bring the alignment tab to original location and tighten.



Installation Instructions

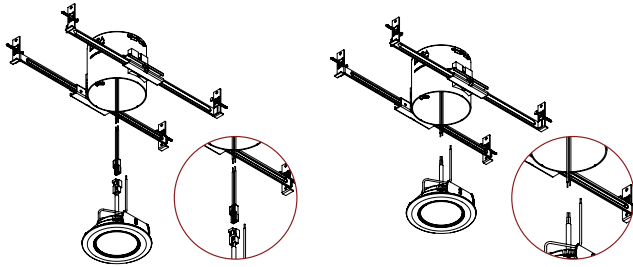
NFJB-R4

4" Junction Box for Luminaire

READ PRIOR TO ATTEMPTING INSTALLATION
ALWAYS TURN OFF MAIN POWER BEFORE INSTALLATION
INSTALLATION SHOULD BE CARRIED OUT BY YOUR LOCAL ELECTRICIAN

LUMINAIRE INSTALLATION (CONTINUED)

- 5** Run power supply leads through the knockouts or run 12AWG or 14AWG wires through NM cable clamps. Connect ground and Ideal connector adapter (provided) to power feed wires, and connect fixture's connector to adapter.
OPTIONAL: Remove connector from fixture and connect directly to power feed wires.

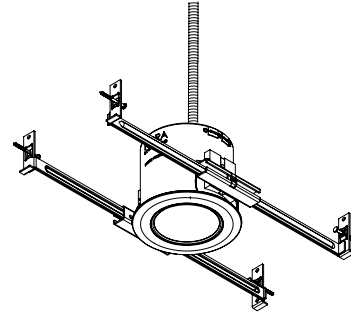


Using Ideal connector adapter

Connecting to power feed directly

⚠️ TURN OFF MAIN POWER BEFORE INSTALLATION

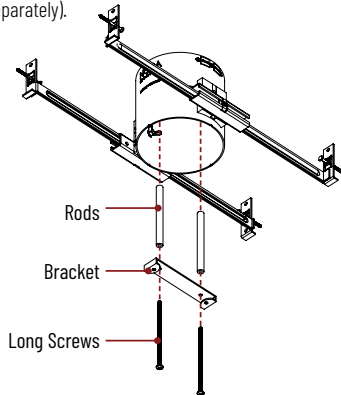
- 6** Installation Complete.



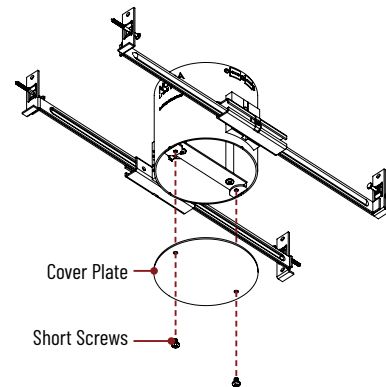
COVER PLATE INSTALLATION

REQUIRES: NFJB-R4CPA (Ordered Separately)

- 1** Fasten the rods and bracket with the long screws provided with NFJB-R4CPA (ordered separately).



- 2** Place cover plate over the bracket and fasten with the two short screws.



- 3** Installation complete.

