

# L-Line Direct

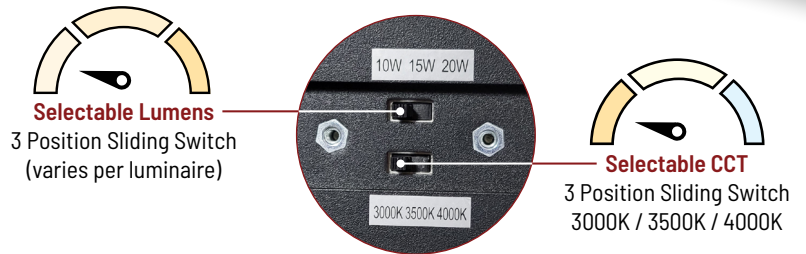
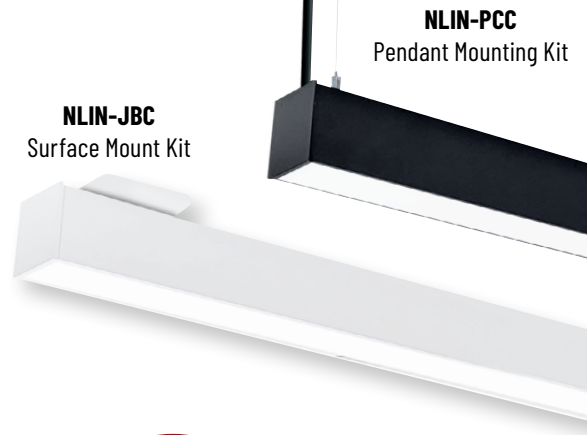
## Surface or Pendant Mounted

### Selectable Lumens & CCT

L-Line LED Direct luminaires include two integral switches for lumen output and selectable color temperature. Sleek extruded housing with symmetrical light distribution will evenly illuminate surfaces with a diffused lens. These pendant or surface mounted fixtures are ideal for commercial, retail, healthcare and education applications.

#### FEATURES

- Average of 1218 lumens per foot
- Six different lengths or shapes
- Surface or Pendant Mounted
- Two standard finishes (Black or White)
- Luminaires can be connected for continuous runs
- Selectable Lumen Output (varies per luminaire)
- Selectable CCT (3000K / 3500K / 4000K)
- 120-277V input; 0-10V dimming
- 5-year limited warranty
- cULus Listed for Damp Location



L-LINE DIRECT LED LUMINAIRES		
SHAPE / LENGTH / LUMENS	COLOR TEMPERATURE	FINISH
<a href="#">NLINSW-2</a> 2' Linear / 2400lm	<b>334</b> Selectable CCT (3000K / 3500K / 4000K)	<b>B</b> Black <b>W</b> White
<a href="#">NLINSW-4</a> 4' Linear / 4850lm		
<a href="#">NLINSW-8</a> 8' Linear / 9750lm		
<a href="#">NLINSW-X</a> X-Connector / 7000lm		
<a href="#">NLINSW-L</a> L-Connector / 3450lm		
<a href="#">NLINSW-T</a> T-Connector / 5200lm		
Example: <b>NLINSW-4334B</b> = 4' L-Line Direct Linear with Selectable CCT, Black Finish		
L-LINE MOUNTING KITS		
DESCRIPTION	FINISH	
<a href="#">NLIN-PCC</a> 8' Pendant & Power Mounting Kit (power & support)	<b>B</b> Black <b>W</b> White	
<a href="#">NLIN-PCC/20</a> 20' Pendant & Power Mounting Kit (power & support)		
<a href="#">NLIN-CC</a> 8' Pendant Mounting Kit (support only)		
<a href="#">NLIN-CC/20</a> 20' Pendant Mounting Kit (support only)		
<a href="#">NLIN-JBC</a> Surface Mount Kit (includes white plate)		
<a href="#">NLIN-JBC-PLATE</a> Junction Box Cover Plate (black only)		
Example: <b>NLIN-JBCW</b> = Surface Mount Kit, White Finish		



# L-LINE DIRECT WITH SELECTABLE LUMENS & CCT

**NLINSW-2334B / NLIN-PCCB**  
2' L-Line LED Linear with  
Pendant & Power Mounting Kit



## 2', 4' or 8' L-LINE LED LINEAR LUMINAIRES

LENGTH / LUMENS / WATTAGE	COLOR TEMPERATURE	FINISH
<b>NLINSW-2</b> 2' / 2400lm / 21W	<b>334</b> Selectable CCT (3000K / 3500K / 4000K)	<b>B</b> Black
<b>NLINSW-4</b> 4' / 4850lm / 42W		<b>W</b> White
<b>NLINSW-8</b> 8' / 9750lm / 82W		

Example: **NLINSW-2334B** = 2' L-Line LED Direct Linear, 2400lm / 21W, Black finish



**NLINSW-X334**  
X-Connector



**NLINSW-L334**  
L-Connector



**NLINSW-T334**  
T-Connector

## X, L or T LUMINOUS CONNECTORS

SHAPE / LUMENS / WATTAGE	COLOR TEMPERATURE	FINISH
<b>NLINSW-X</b> X-Connector / 7000lm / 57W	<b>334</b> Selectable CCT (3000K / 3500K / 4000K)	<b>B</b> Black
<b>NLINSW-L</b> L-Connector / 3450lm / 30W		<b>W</b> White
<b>NLINSW-T</b> T-Connector / 5200lm / 43W		

Example: **NLINSW-L334B** = L-Connector, 3450lm / 30W, Black Finish



**NLIN-CC**  
Pendant Mounting Kit



**NLIN-JBC**  
J-Box Cover for Surface Mount

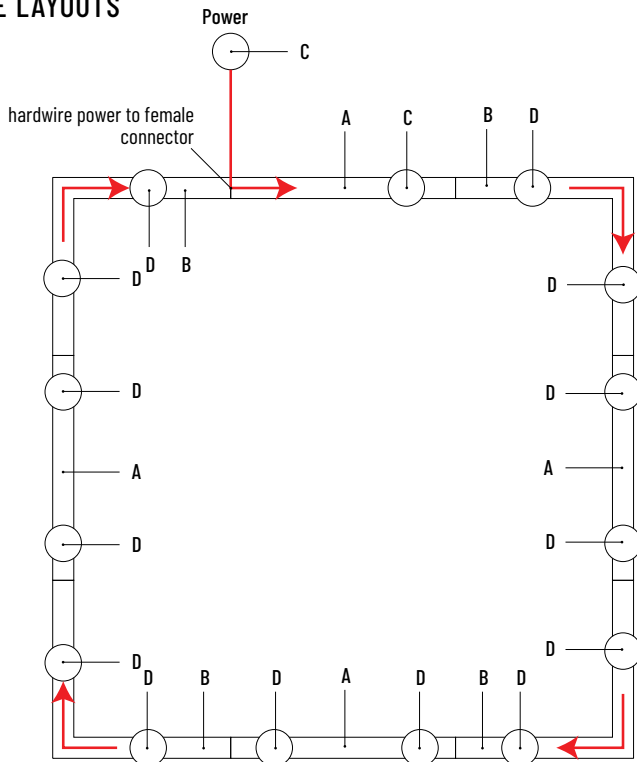
**NLIN-PCC**  
Pendant & Power  
Mounting Kit

## MOUNTING KITS

DESCRIPTION	FINISH
<b>NLIN-PCC</b> 8' Pendant & Power Mounting Kit	<b>B</b> Black
<b>NLIN-PCC/20</b> 20' Pendant & Power Mounting Kit	<b>W</b> White
<b>NLIN-CC</b> 8' Pendant Mounting Kit	
<b>NLIN-CC/20</b> 20' Pendant Mounting Kit	
<b>NLIN-JBC</b> Surface Mount Kit	
<b>NLIN-JBC</b> Surface Mount Kit	

Example: **NLIN-PCCB** - Pendant & Power Mounting Kit, Black Finish

## SAMPLE LAYOUTS



	DESCRIPTION	ITEM #
A	L-Line Direct Linear	NLINSW-2334
		NLINSW-4334
		NLINSW-8334
B	L-Connector	NLINSW-L334
C	Power Kit	NLIN-PCC
D	Pendant Kit	NLIN-CC

