

# Installation Instructions

NULB120

120V LED Lightbar

**READ PRIOR TO ATTEMPTING INSTALLATION**  
**ALWAYS TURN OFF MAIN POWER BEFORE INSTALLATION**  
**INSTALLATION SHOULD BE CARRIED OUT BY YOUR LOCAL ELECTRICIAN**

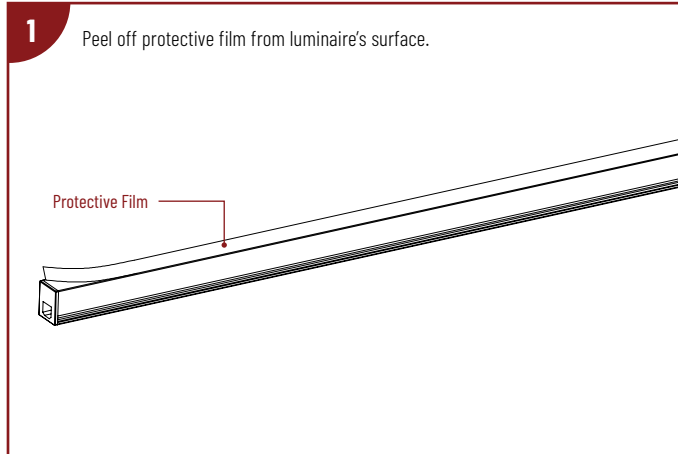
**⚠ IMPORTANT** - This equipment is intended to be installed only by qualified personnel. The installation must be made in accordance with the current edition of the National Electrical Code and all applicable state and local building codes. The final installation must be approved by the appropriate, qualified electrical/building inspector(s). Improper installation may result in a fire or electrical hazard. Be sure the electrical power to the circuit has been disconnected before installing this electrical system.

**⚠ IMPORTANT** - Cet équipement est destiné à être installé uniquement par du personnel qualifié. L'installation doit être faite conformément à l'édition actuelle du Code national de l'électricité et à tous les codes de construction locaux et nationaux applicables. L'installation finale doit être approuvée par un ou plusieurs inspecteurs qualifiés en électricité / bâtiment. Une installation incorrecte peut entraîner un incendie ou un risque électrique. Assurez-vous que l'alimentation électrique du circuit a été déconnectée avant d'installer ce système électrique.

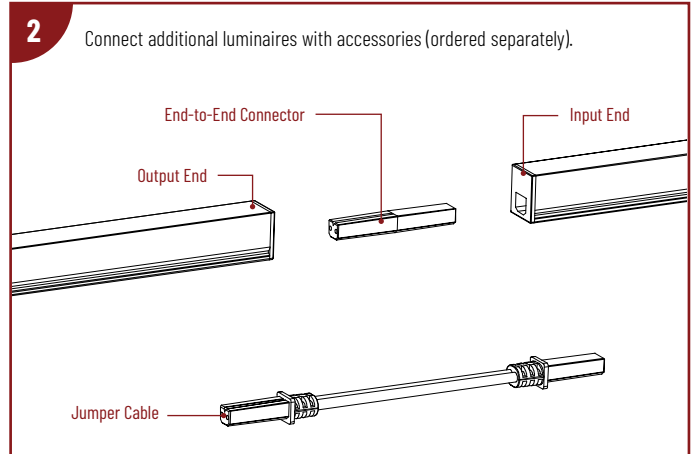
## INSTALLATION INSTRUCTIONS

## ⚠ TURN OFF MAIN POWER BEFORE INSTALLATION

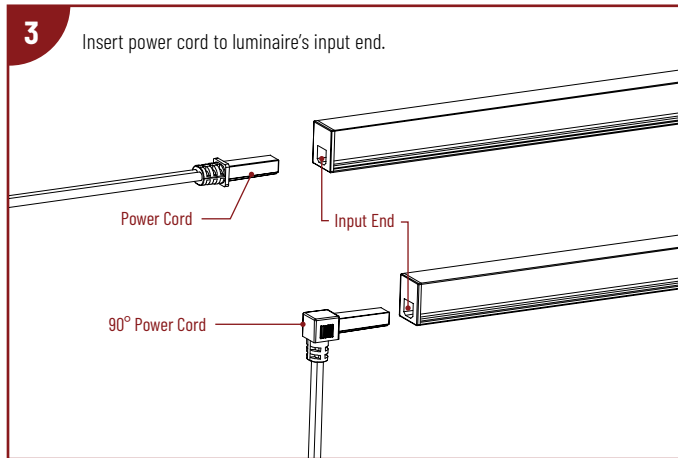
**1** Peel off protective film from luminaire's surface.



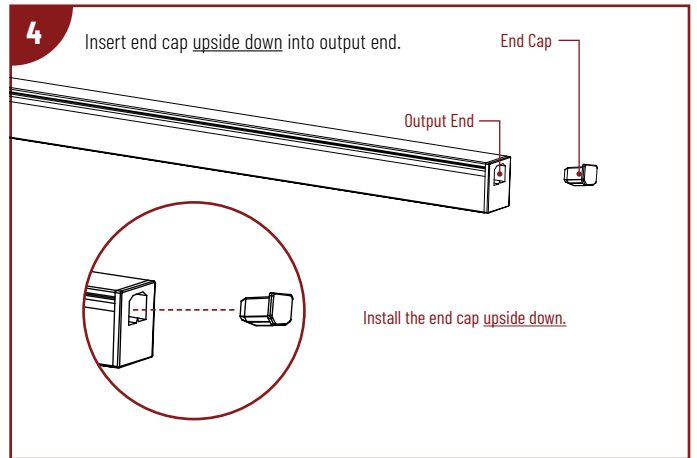
**2** Connect additional luminaires with accessories (ordered separately).



**3** Insert power cord to luminaire's input end.



**4** Insert end cap upside down into output end.



# Installation Instructions

NULB120

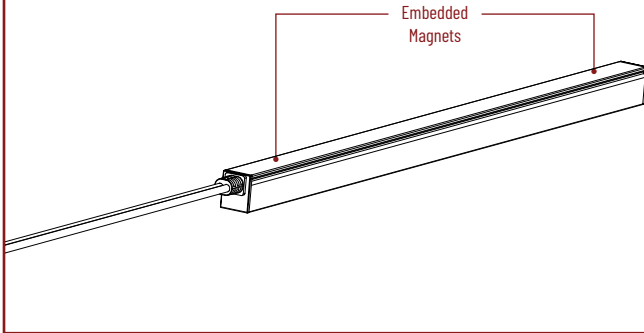
120V LED Lightbar

READ PRIOR TO ATTEMPTING INSTALLATION  
ALWAYS TURN OFF MAIN POWER BEFORE INSTALLATION  
INSTALLATION SHOULD BE CARRIED OUT BY YOUR LOCAL ELECTRICIAN

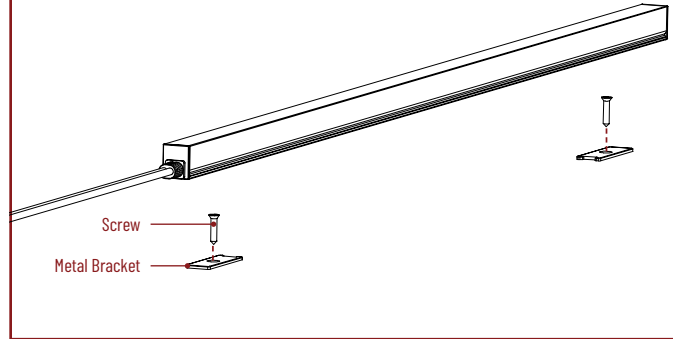
## MOUNTING OPTIONS

⚠️ TURN OFF MAIN POWER BEFORE INSTALLATION

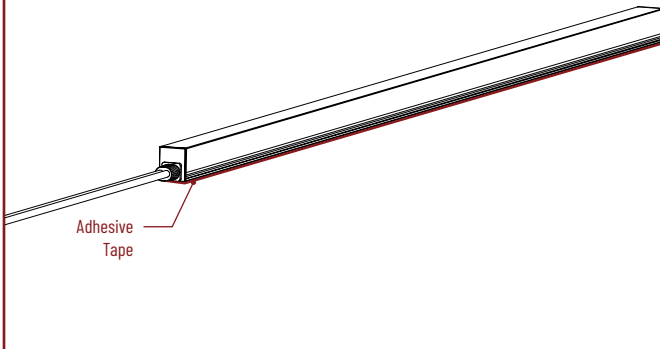
**1 OPTION 1**  
Mount luminaire directly to a metal surface without any accessories.  
Magnets are embedded inside the luminaire.



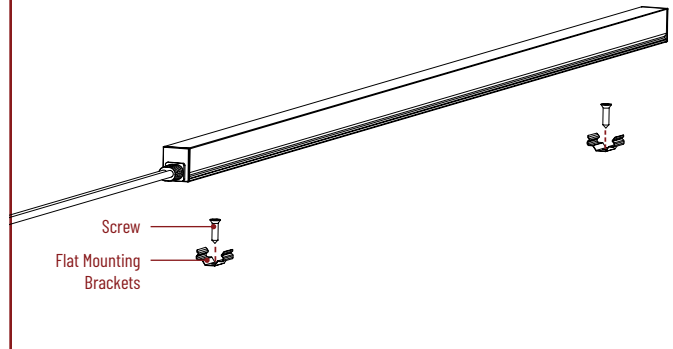
**2 OPTION 2**  
Mount metal plates (ordered separately) with screws according to the position of the luminaire's magnets.



**3 OPTION 3**  
Mount using an adhesive tape (not included).



**4 OPTION 4**  
Mount with flat mounting brackets (included).



**5 OPTION 5**  
Mount with swivel mounting brackets (ordered separately).

