

# Installation Instructions

NCSR-RX1TW

## LED Retrofit Downlight with Deep Reflector

**READ PRIOR TO ATTEMPTING INSTALLATION**  
**ALWAYS TURN OFF MAIN POWER BEFORE INSTALLATION**  
**INSTALLATION SHOULD BE CARRIED OUT BY YOUR LOCAL ELECTRICIAN**

**⚠ WARNING:** Risk of fire or electric shock. Installation of this retrofit assembly requires a person familiar with the construction and operation of the luminaire's electrical system and the hazard involved. If not qualified, do not attempt installation. Contact a qualified electrician.

**⚠ WARNING:** Risk of fire or electric shock. Install this kit only in luminaires that have the construction features and dimensions shown in the photographs and/or drawings and where the input rating of the retrofit kit does not exceed the input rating of the luminaire.

**⚠ WARNING:** To prevent wiring damage or abrasion, do not pinch or damage exposed wiring during installation. Keep away from edges of sheet metal or other sharp objects

**⚠ WARNING:** Risk of fire or electric shock. Do not alter, relocate, or remove wiring, lampholders, power supply, or any other electrical component.

**DO NOT MAKE OR ALTER ANY OPEN HOLES IN AN ENCLOSURE OF WIRING OR ELECTRICAL COMPONENTS DURING KIT INSTALLATION.**

**THIS RETROFIT KIT IS ACCEPTED AS A COMPONENT OF A LUMINAIRE WHERE THE SUITABILITY OF THE COMBINATION SHALL BE DETERMINED BY AUTHORITIES HAVING JURISDICTION.**

**THIS DEVICE IS NOT INTENDED FOR USE WITH EMERGENCY EXITS.**

**⚠ AVERTISSEMENT:** Risque d'incendie ou de choc électrique. L'installation de cet ensemble de rénovation nécessite une personne familiarisée avec la construction et le fonctionnement du système électrique du luminaire et les risques encourus. S'il n'est pas qualifié, n'essayez pas d'installer. Contacter un électricien qualifié.

**⚠ AVERTISSEMENT:** Risque d'incendie ou de choc électrique. n'installez ce nécessaire que dans le luminaire dont les caractéristiques de construction et les dimensions sont conformes à celles illustrées dans les photos et/ou les dessins et dont la puissance d'entrée nominale du nécessaire de modernisation ne dépasse pas celle du luminaire.

**⚠ AVERTISSEMENT:** Pour éviter d'endommager ou d'abrasion le câblage, ne pas pincer ou endommager le câblage pendant l'installation. Tenir à l'écart des bords de la tôle ou d'autres objets tranchants.

**⚠ AVERTISSEMENT:** Risque d'incendie ou de choc électrique. Ne modifiez pas, ne déplacez pas ou n'enlevez pas le câblage, les douilles de lampe, l'alimentation électrique ou tout autre composant électrique.

**NE PAS FAIRE OU MODIFIER LES TROUS OUVERTS DANS UNE ENCEINTE DE CÂBLAGE OU LES COMPOSANTS ÉLECTRIQUES LORS DE L'INSTALLATION DU KIT.**

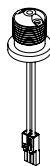
**LE KIT DE RATTRAPAGE EST ACCEPTÉ COMME UNE COMPOSANTE D'UN LUMINAIRE OÙ AL PERTINENCE DE LA COMBINAISON SERA DÉTERMINÉE PAR LA CSA OU LES AUTORITÉS JURIDICTION. NE CONVIENT PAS AUX SORTIES DE SECOURS.**



### PACKAGING CONTENTS



Retrofit



Medium Base  
Socket Adapter



Gasket



LED Lamp Replacement  
Marking Sticker

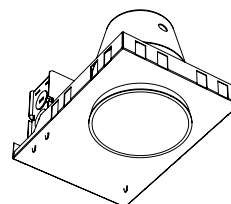


### HOUSING DIMENSIONS

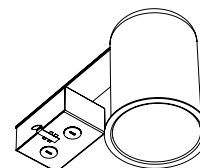
Min. Diameter	Min. Height	Max. number of 12AWG through branch wiring
4" (102mm) tapered to 3.3" (85mm) at top	3.5" (88mm)	New Construction: 8 Remodel: 6
6" (153mm)	5.5" (139mm)	8
5.3" (134mm)	5.6" (153mm)	8

Install this kit only in luminaires that have the construction features and dimensions described in these instructions, and where the input rating of the retrofit kit does not exceed the input rating of the luminaire.

Refer to correlation label of luminaire and/or specification sheet at [www.NoraLighting.com](http://www.NoraLighting.com)



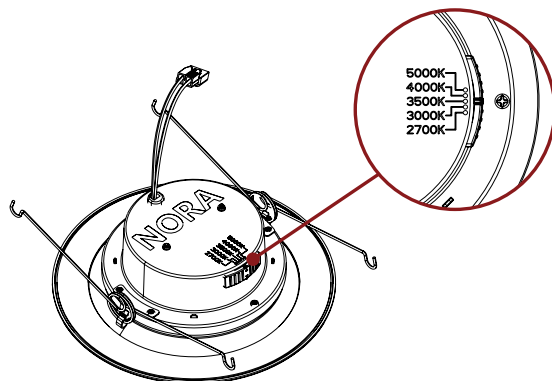
New Construction



Remodel

### SELECTING COLOR TEMPERATURE

**NOTE:** Retrofit is preset to 3000K and may have been changed in shipping / handling. Select color temperature prior to installation. Color temperature can be changed with five position switch located on top of the driver.



# Installation Instructions

NCSR-RX1TW

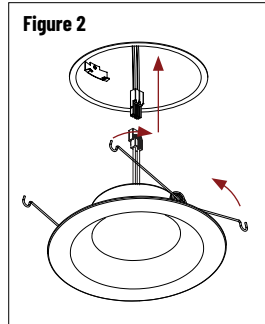
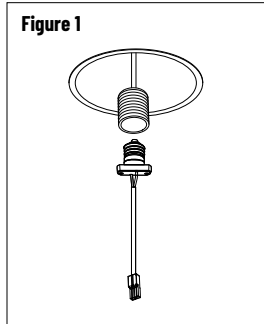
LED Retrofit Downlight with Deep Reflector

READ PRIOR TO ATTEMPTING INSTALLATION  
ALWAYS TURN OFF MAIN POWER BEFORE INSTALLATION  
INSTALLATION SHOULD BE CARRIED OUT BY YOUR LOCAL ELECTRICIAN

## RETROFITTING INTO HOUSING

### ⚠️ TURN OFF MAIN POWER BEFORE INSTALLATION

1. Remove existing trim and light bulb from the recessed housing to reveal the medium base socket. If applicable, remove socket from plate.
  2. Place provided LED Lamp Replacement Marking Sticker inside the housing where visible to installer.
  3. Screw medium base socket adapter into medium base socket. (Figure 1)
  4. Connect fixture's connector to male orange connector and squeeze torsion springs together to insert into the housing. (Figure 2)
- Note: If needed, adjust screws on torsion springs to fit the appropriate housing.
5. Carefully place wires into the housing and push fixture up flush to ceiling surface.



## INSTALLATION INTO LED HOUSING

### ⚠️ TURN OFF MAIN POWER BEFORE INSTALLATION

1. Connect fixture's connector to quick connect of Nora's LED dedicated housing. (Figure 1)
  2. Squeeze torsion springs together to insert into the housing. (Figure 2)
- Note: If needed, adjust screws on torsion springs to fit the appropriate housing.
3. Carefully place wires into the housing and push fixture up flush to ceiling surface.

