

Installation Instructions

NCS-6RTW

6" LED Flush Mount Disk Light with Selectable CCT

READ PRIOR TO ATTEMPTING INSTALLATION
ALWAYS TURN OFF MAIN POWER BEFORE INSTALLATION
INSTALLATION SHOULD BE CARRIED OUT BY YOUR LOCAL ELECTRICIAN

⚠ WARNING - To prevent wiring damage or abrasion, do not expose wiring to edges of sheet metal or other sharp objects.

⚠ AVERTISSEMENT - Afin de prévenir l'endommagement ou l'abrasion des câbles, éviter tout contact entre ces derniers et le bord d'un objet tranchant tel qu'une tôle.

• This product must be installed in accordance with the applicable installation code by a person familiar with the construction and operation of the product and the hazards involved.

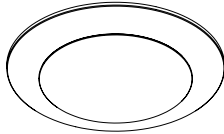
• Ce produit doit être installé selon le code d'installation pertinent, par une personne qui connaît bien le produit et son fonctionnement ainsi que les risques inhérents

⚠ RISK OF FIRE OR ELECTRIC SHOCK. Installation requires knowledge of luminaire electrical systems. If not qualified, do not attempt installation. Contact a qualified electrician.

⚠ RISQUE D'INCENDIE OU DE CHOC ÉLECTRIQUE. L'installation de ce nécessaire de modernisation exige une personne familière avec la construction et le fonctionnement du système électrique du luminaire et des risques associés. Toute personne qui n'est pas qualifiée ne doit faire aucune tentative d'installation et doit contacter un électricien qualifié.



PACKAGING CONTENTS



(1) LED Luminaire

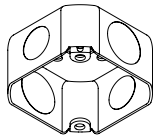


(2) 8-32 Machine Screws
1" long

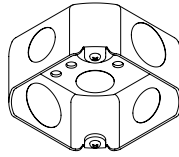


(3) Wire Nuts

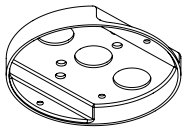
COMPATIBLE JUNCTION BOXES



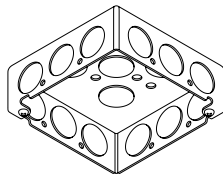
3" Octagonal Junction Box



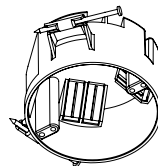
4" Octagonal Junction Box
Metallic or Non-Metallic
(A615)



4" Pancake Junction Box



4" Square Junction Box



4" Round Non-Metallic
(B618R)

Installation Instructions

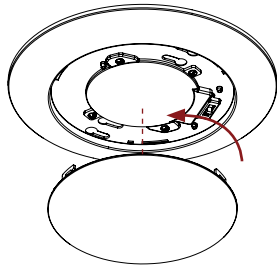
NCS-6RTW

6" LED Flush Mount Disk Light with Selectable CCT

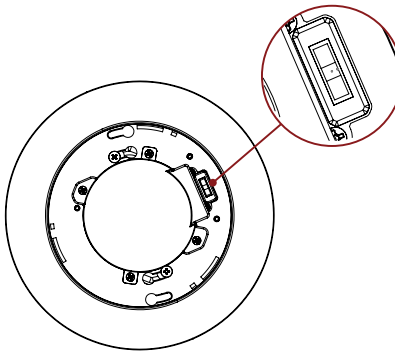
READ PRIOR TO ATTEMPTING INSTALLATION
ALWAYS TURN OFF MAIN POWER BEFORE INSTALLATION
INSTALLATION SHOULD BE CARRIED OUT BY YOUR LOCAL ELECTRICIAN

SURFACE MOUNT INSTALLATION

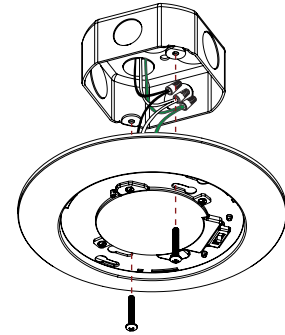
- 1** Twist the diffuser counterclockwise to detach from luminaire.



- 2** Select the desired color temperature by using the switch located under diffuser.
NOTE: Luminaire is preset to 3000K and may change in shipping / handling / installation.

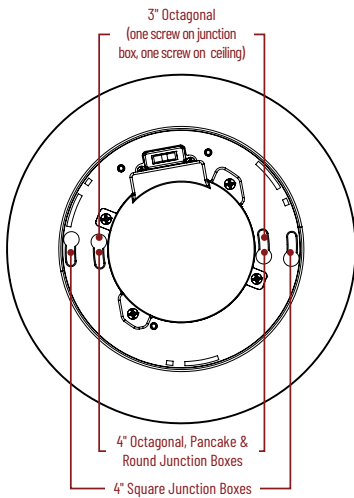


- 3** Connect luminaire to supply leads.



Neutral	⊖	White
Ground	⊖	Green
Line	⊖	Black

- 4** Remove appropriate labels and install luminaire to junction box by two screws (provided) through the appropriate mounting holes.



NOTE: Mounting holes are labeled for use with compatible junction boxes.
NOTE: Do not over torque screws. Over torquing screws will deform luminaire.

- 5** Twist the diffuser clockwise to attach the luminaire to complete installation.

