

NFC-R5

New Construction Frame-In with Collar

Type _____

Project _____

Catalog No. _____

Notes _____

PRODUCT DESCRIPTION

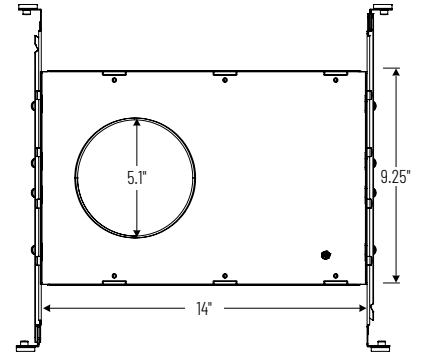
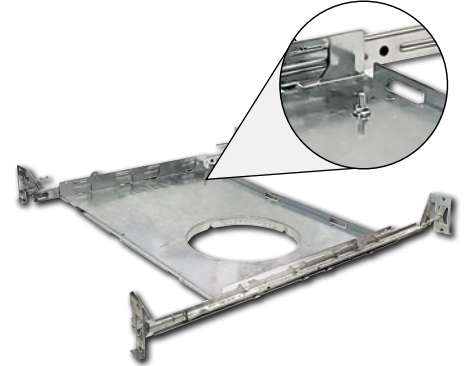
New construction frame-in with collar can be used to assist installing can-less downlights.

Mounting: Bar hangers are adjustable from 13-3/4" to 26" with integral nails. Bar hangers are slotted for T-bar ceiling grids.

COMPATIBLE LUMINAIRE

NMC-6RTWMPW: 6" M-Curve Adjustable LED Downlight

PRODUCT IMAGES AND DIMENSIONS



New Construction Frame-In with Collar

Description

NFC-R5 = New Construction Frame-In with Collar

Compatible Luminaire

Description

NMC-6RTW = 6" M-Curve Adjustable LED Downlight

Example: **NFC-R5** = New Construction Frame-In with Collar