

# Installation Instructions

## NI0B-1SNG

### 1" Iolite LED Square BWF Reflector with Round Aperture

**READ PRIOR TO ATTEMPTING INSTALLATION**  
**ALWAYS TURN OFF MAIN POWER BEFORE INSTALLATION**  
**INSTALLATION SHOULD BE CARRIED OUT BY YOUR LOCAL ELECTRICIAN**

**⚠ IMPORTANT** - This equipment is intended to be installed only by qualified personnel. The installation must be made in accordance with the current edition of the National Electrical Code and all applicable state and local building codes. The final installation must be approved by the appropriate, qualified electrical/building inspector(s). Improper installation may result in a fire or electrical hazard. Be sure the electrical power to the circuit has been disconnected before installing this electrical system.

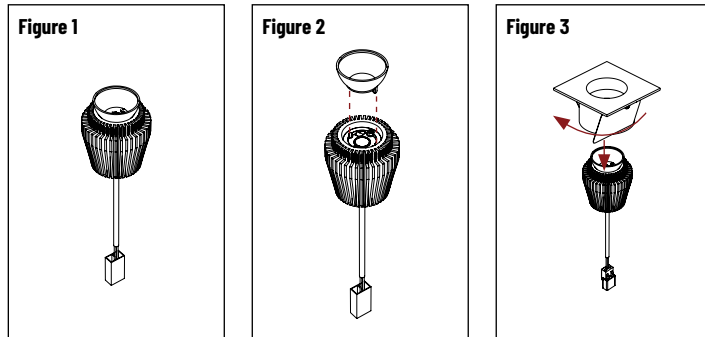
**⚠ IMPORTANT** - Cet équipement est destiné à être installé uniquement par du personnel qualifié. L'installation doit être faite conformément à l'édition actuelle du Code national de l'électricité et à tous les codes de construction locaux et nationaux applicables. L'installation finale doit être approuvée par un ou plusieurs inspecteurs qualifiés en électricité / bâtiment. Une installation incorrecte peut entraîner un incendie ou un risque électrique. Assurez-vous que l'alimentation électrique du circuit a été déconnectée avant d'installer ce système électrique.

COMPATIBLE HOUSINGS	DESCRIPTION
NHIOICD-16	1" Iolite IC Air-Tight New Construction Housing, 10W
NHIOICDCP-16	1" Iolite Chicago Plenum New Construction Housing, 10W
NHRIIC-16	1" Iolite IC Air-Tight Remodel Housing, 10W

#### ASSEMBLE LED MODULE / CHANGING OPTIC

Note: LED module comes pre-installed with flood optic. (Figure 1)

1. Change optic to desired optic, or proceed to step 3.
2. Align the pins from optic to the holes in module. (Figure 2)
3. To avoid misalignment attach trim with module facing upward and turn clockwise to lock. (Figure 3)



#### INSTALLATION INSTRUCTIONS

**⚠ IMPORTANT:** Connector is not intended to support weight of the fixture. Please support fixture at all times.

1. Make sure power is off.
2. Connect orange female connector to male connector of compatible housing listed on the correlation label.
3. Squeeze friction blades on trim, route wires into the housing and push trim flush against ceiling.
4. Turn power back on.

