

PRODUCT DESCRIPTION

LED Retrofit downlights are designed for easy installation into new construction or remodel applications. Each downlight includes an Selectable CCT switch located on the junction box. Deep reflector provides excellent glare control, quality of light, and efficiency.

FEATURES

- Packaged in case quantities of 12
- Five color temperatures in each fixture (2700K / 3000K / 3500K / 4000K / 5000K)
- Includes medium base socket adaptor for easy retrofitting in 5" or 6" recessed housings
- Quick installation and cost savings
- Gasket included for Air-Tight rating
- cETLus Listed for Wet Locations
- 5-year limited warranty

SPECIFICATION

Reflector: Dead front (non-metallic) luminaire with spring clips for easy installation. Gasket included for air-tight and wet location listing without additional caulking.

Mounting:

4" Retrofit include steel spring mounting blades for easy and secure mounting in most 4" housings. 6" Retrofit includes torsion mounting springs for most 5" and 6" housings.

Retrofit: Luminaires include a medium base screw-socket adaptor for retrofitting into medium base downlight housings. Intended to be used as a LED lamp replacement.

ELECTRICAL

Voltage: 120VAC

Lumens / Wattage: 700lm / 10W (4") & 950lm / 12W (6")

Color Temperature:

Selectable CCT: 2700K / 3000K / 3500K / 4000K / 5000K

(Note: Preset to 3000K)

Color Rendering Index: 90+ CRI

Beam Spread: 99° Flood

Operating Temperature: 0°C to 25°C ambient temperature

Lifetime: 50,000 hours @ L70

Dimming: Triac or ELV

[Click Here](#) or check complete dimmer list at

www.NoraLighting.com in the "Compatibility" page under "Resources" tab

LABELS AND LISTINGS

- cETLus classified for Wet locations
- Certified to the high efficacy requirements of California Title 24 JA8-2022
- [5-Year Limited Warranty](#)
- FCC Compliant



COMPATIBLE HOUSINGS

Retrofits are compatible with most IC and Non-IC recessed housings by Nora and others.

Fire Box

- [NFBC-4LMRATA](#) 4" ICAT Dedicated LED Firebox
- [NFBC-427LMRATA](#) 4" Shallow ICAT Dedicated LED Firebox
- [NFBC-4INCATA](#) 4" IC Air-Tight Line Voltage Firebox
- [NFBC-5INCATA](#) 5" ICAT Fire Box
- [NFBC-5LMRATA](#) 5" ICAT Dedicated LED Fire Box
- [NFBC-6INCATA](#) 6" ICAT Fire Box
- [NFBC-6LMRATA](#) 6" ICAT Dedicated LED Fire Box

New Construction

- [NHIC-4LMRAT](#) 4" IC Air-Tight Dedicated LED
- [NHIC-4LMRAT/277¹](#) 4" ICAT Dedicated LED, 277V
- [NHICCP-4LMRAT](#) 4" Chicago Plenum Dedicated LED
- [NHIC-427LMRAT](#) 4" Shallow IC Air-Tight Dedicated LED
- [NSIC-401QAT](#) 4" IC Air-Tight Line Voltage
- [NS-401QAT](#) 4" Air-Tight Line Voltage
- [NHIC-5LMRAT](#) 5" ICAT Dedicated LED
- [NHIC-5LMRAT/277¹](#) 5" ICAT Dedicated LED, 277V
- [NHIC-527LMRAT](#) 5" ICAT Shallow Dedicated LED
- [NHIC-501QAT](#) 5" ICAT Line Voltage
- [NHIC-527QAT](#) 5" ICAT Shallow Line Voltage
- [NHIC-6LMRAT](#) 6" ICAT Dedicated LED
- [NHIC-6LMRAT/277¹](#) 6" ICAT Dedicated LED, 277V
- [NHICCP-6LMRAT](#) 6" Chicago Plenum Dedicated LED
- [NHIC-27LMRAT](#) 6" ICAT Shallow Dedicated LED
- [NHIC-17QAT](#) 6" ICAT Line Voltage
- [NHIC-17QNBAT](#) 6" ICAT Line Voltage (No Bracket)
- [NHIC-27QAT](#) 6" ICAT Shallow Line Voltage
- [NH-26Q](#) 6" Line Voltage

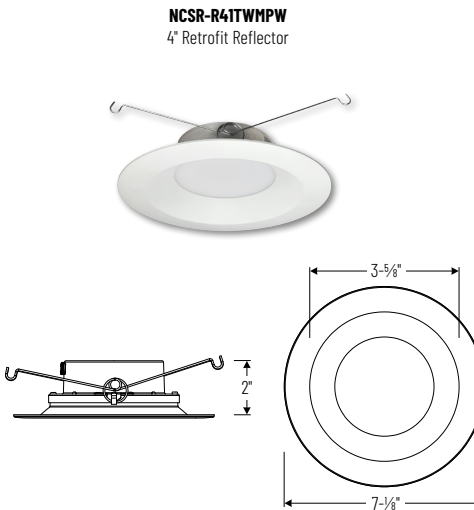
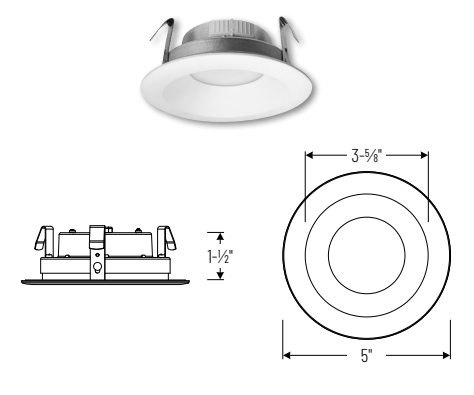
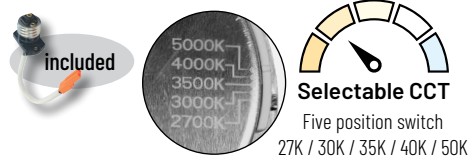
Remodel

- [NHRIC-4LMRAT](#) 4" IC Air-Tight Dedicated LED
- [NHRIC-427LMRAT](#) 4" Shallow IC Air-Tight Dedicated LED
- [NSR-404QAT](#) 4" Air-Tight Line Voltage
- [NSRIC-404QAT](#) 4" IC Air-Tight Line Voltage
- [NHRIC-5LMRAT](#) 5" ICAT Dedicated LED
- [NHRIC-527LMRAT](#) 5" ICAT Shallow Dedicated LED
- [NHRIC-504QAT](#) 5" ICAT Line Voltage
- [NHRIC-527QAT](#) 5" ICAT Shallow Line Voltage
- [NHRIC-6LMRAT](#) 6" ICAT Dedicated LED
- [NHRIC-27LMRAT](#) 6" ICAT Shallow Dedicated LED
- [NHRIC-17QAT](#) 6" ICAT Line Voltage
- [NHRIC-17QNBAT](#) 6" ICAT Line Voltage (No Bracket)
- [NHRIC-27QAT](#) 6" ICAT Shallow Line Voltage
- [NHR-26Q](#) 6" Line Voltage

¹ Housings include a step down transformer

Performance Data			
Part Number	4" Lumens	6" Lumens	CCT
NCSR-RX1	685lm	841lm	2700K
NCSR-RX1	702lm	951lm	3000K
NCSR-RX1	743lm	891lm	3500K
NCSR-RX1	739lm	950lm	4000K
NCSR-RX1	696lm	882lm	5000K

PRODUCT IMAGES AND DIMENSIONS



SOLD IN PACKS OF 12

CATALOG NUMBER	UPC	CASE QTY.	DESCRIPTION	LUMENS / WATTAGE	PALLET QTY.
NCSR-R41TWPW	732180816804	12 PCS.	4" LED Retrofit Reflector with Selectable CCT	700lm / 10W	176
NCSR-R61TWPW	732180816811	12 PCS.	6" LED Retrofit Reflector with Selectable CCT	950lm / 12W	80

Example: **NCSR-R61TWPW** = 6" LED Retrofit Reflector, Selectable CCT, Matte Powder White Finish, 120VAC input; Triac or ELV dimming (Bulk Pack: 12 Pieces)

PHOTOMETRICS

4" LED Retrofit Reflector with Selectable CCT Contractor Series

Type

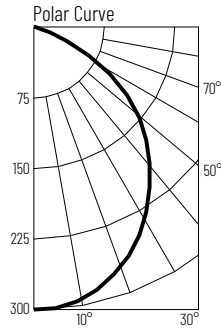
Project

Catalog No.

Notes

Test Information

Test Number: NTR2321R1
 Part Number: NCSR-R41TWMPW
 Beam Spread: 98° Flood
 Lumens: 665lm
 Wattage: 8.82W
 Efficacy: 75lpw
 CCT / CRI: 2700K / 90 CRI
 Spacing Criteria (0°-180°): 1.2
 Spacing Criteria (90°-270°): 1.18



Illuminance at a Distance

Distance from Luminaire	FC at Nadir	Beam Diameter
4'	18.7fc	9'-2"
6'	8.3fc	13'-10"
8'	4.7fc	18'-6"
10'	3fc	23'-1"
12'	2.1fc	27'-8"

Zonal Lumen Summary

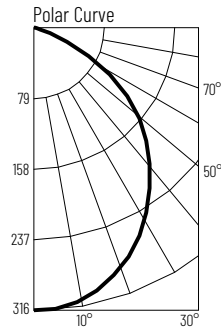
Zone	Lumens	% Luminaire
0-30	187	28.1
0-40	305	45.9
0-60	581	87.4
0-90	665	100
90-180	0	0
0-180	665	100

Candela Table

Vertical Angles	Candela
0	300
5	298
15	283
25	255
35	216
45	171

Test Information

Test Number: NTR2322R1
 Part Number: NCSR-R41TWMPW
 Beam Spread: 98° Flood
 Lumens: 702lm
 Wattage: 8.8W
 Efficacy: 80lpw
 CCT / CRI: 3000K / 90 CRI
 Spacing Criteria (0°-180°): 1.2
 Spacing Criteria (90°-270°): 1.18



Illuminance at a Distance

Distance from Luminaire	FC at Nadir	Beam Diameter
4'	19.8fc	9'-4"
6'	8.8fc	13'-11"
8'	4.9fc	18'-7"
10'	3.2fc	23'-2"
12'	2.2fc	27'-11"

Zonal Lumen Summary

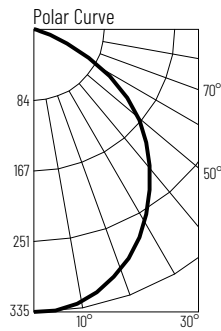
Zone	Lumens	% Luminaire
0-30	238	33.9
0-40	380	54.1
0-60	628	89.4
0-90	702	100
90-180	0	0
0-180	702	100

Candela Table

Vertical Angles	Candela
0	316
5	314
15	299
25	270
35	229
45	181

Test Information

Test Number: NTR2323R1
 Part Number: NCSR-R41TWMPW
 Beam Spread: 98° Flood
 Lumens: 743lm
 Wattage: 8.75W
 Efficacy: 85lpw
 CCT / CRI: 3500K / 90 CRI
 Spacing Criteria (0°-180°): 1.2
 Spacing Criteria (90°-270°): 1.18



Illuminance at a Distance

Distance from Luminaire	FC at Nadir	Beam Diameter
4'	20.9fc	9'-4"
6'	9.3fc	14'
8'	5.2fc	18'-7"
10'	3.4fc	23'-4"
12'	2.3fc	27'-11"

Zonal Lumen Summary

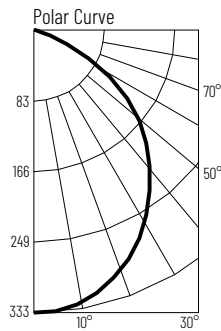
Zone	Lumens	% Luminaire
0-30	252	33.9
0-40	402	54.1
0-60	664	89.4
0-90	743	100
90-180	0	0
0-180	743	100

Candela Table

Vertical Angles	Candela
0	335
5	333
15	317
25	286
35	242
45	191

Test Information

Test Number: NTR2324R1
 Part Number: NCSR-R41TWMPW
 Beam Spread: 98° Flood
 Lumens: 739lm
 Wattage: 8.76W
 Efficacy: 84lpw
 CCT / CRI: 4000K / 90 CRI
 Spacing Criteria (0°-180°): 1.2
 Spacing Criteria (90°-270°): 1.18



Illuminance at a Distance

Distance from Luminaire	FC at Nadir	Beam Diameter
4'	20.8fc	9'-4"
6'	9.2fc	14'
8'	5.2fc	18'-7"
10'	3.3fc	23'-4"
12'	2.3fc	27'-11"

Zonal Lumen Summary

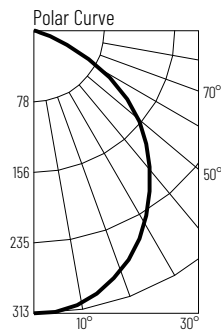
Zone	Lumens	% Luminaire
0-30	250	33.8
0-40	399	54
0-60	660	89.3
0-90	739	100
90-180	0	0
0-180	739	100

Candela Table

Vertical Angles	Candela
0	333
5	330
15	314
25	284
35	241
45	190

Test Information

Test Number: NTR2325R1
 Part Number: NCSR-R41TWMPW
 Beam Spread: 98° Flood
 Lumens: 696lm
 Wattage: 8.8W
 Efficacy: 79lpw
 CCT / CRI: 5000K / 90 CRI
 Spacing Criteria (0°-180°): 1.2
 Spacing Criteria (90°-270°): 1.18



Illuminance at a Distance

Distance from Luminaire	FC at Nadir	Beam Diameter
4'	19.6fc	9'-4"
6'	8.7fc	14'
8'	4.9fc	18'-7"
10'	3.1fc	23'-4"
12'	2.2fc	28'

Zonal Lumen Summary

Zone	Lumens	% Luminaire
0-30	235	33.8
0-40	376	54
0-60	622	89.3
0-90	696	100
90-180	0	0
0-180	696	100

Candela Table

Vertical Angles	Candela
0	313
5	311
15	296
25	267
35	227
45	179

PHOTOMETRICS

6" LED Retrofit Reflector with Selectable CCT Contractor Series

Type

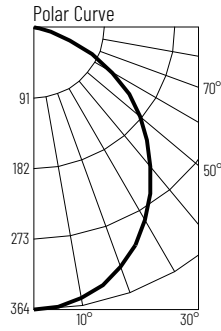
Project

Catalog No.

Notes

Test Information

Test Number: NTR2326R1
 Part Number: NCSR-R61TWMPW
 Beam Spread: 99° Flood
 Lumens: 841lm
 Wattage: 10.92W
 Efficacy: 77lpw
 CCT / CRI: 2700K / 90 CRI
 Spacing Criteria (0°-180°): 1.18
 Spacing Criteria (90°-270°): 1.2



Illuminance at a Distance

Distance from Luminaire	FC at Nadir	Beam Diameter
4'	22.8fc	9'-5"
6'	10.1fc	14'
8'	5.7fc	18'-8"
10'	3.6fc	23'-5"
12'	2.5fc	28'-1"

Zonal Lumen Summary

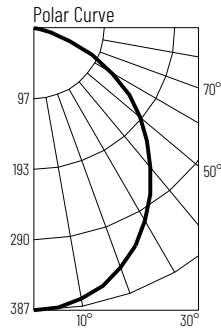
Zone	Lumens	% Luminaire
0-30	274	32.6
0-40	438	52
0-60	730	86.8
0-90	841	100
90-180	0	0
0-180	841	100

Candela Table

Vertical Angles	Candela
0	364
5	362
15	344
25	310
35	262
45	207

Test Information

Test Number: NTR2327R1
 Part Number: NCSR-R61TWMPW
 Beam Spread: 99° Flood
 Lumens: 891lm
 Wattage: 10.9W
 Efficacy: 82lpw
 CCT / CRI: 3000K / 90 CRI
 Spacing Criteria (0°-180°): 1.2
 Spacing Criteria (90°-270°): 1.18



Illuminance at a Distance

Distance from Luminaire	FC at Nadir	Beam Diameter
4'	24.2fc	9'-5"
6'	10.7fc	14'
8'	6fc	18'-8"
10'	3.9fc	23'-5"
12'	2.7fc	28'-1"

Zonal Lumen Summary

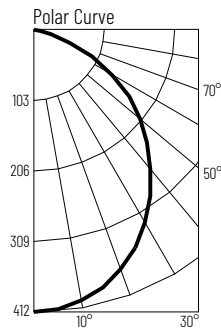
Zone	Lumens	% Luminaire
0-30	290	32.6
0-40	464	52
0-60	774	86.8
0-90	891	100
90-180	0	0
0-180	891	100

Candela Table

Vertical Angles	Candela
0	387
5	384
15	365
25	330
35	278
45	219

Test Information

Test Number: NTR2328R1
 Part Number: NCSR-R61TWMPW
 Beam Spread: 99° Flood
 Lumens: 951lm
 Wattage: 10.81W
 Efficacy: 88lpw
 CCT / CRI: 3500K / 90 CRI
 Spacing Criteria (0°-180°): 1.18
 Spacing Criteria (90°-270°): 1.18



Illuminance at a Distance

Distance from Luminaire	FC at Nadir	Beam Diameter
4'	25.7fc	9'-5"
6'	11.4fc	14'-1"
8'	6.4fc	18'-10"
10'	4.1fc	23'-6"
12'	2.9fc	28'-2"

Zonal Lumen Summary

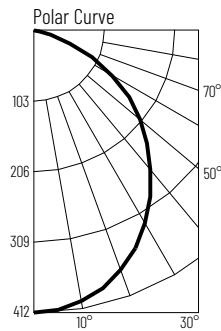
Zone	Lumens	% Luminaire
0-30	309	32.6
0-40	494	52
0-60	826	86.9
0-90	951	100
90-180	0	0
0-180	951	100

Candela Table

Vertical Angles	Candela
0	411
5	409
15	389
25	351
35	296
45	234

Test Information

Test Number: NTR2329R1
 Part Number: NCSR-R61TWMPW
 Beam Spread: 99° Flood
 Lumens: 950lm
 Wattage: 10.82W
 Efficacy: 88lpw
 CCT / CRI: 4000K / 90 CRI
 Spacing Criteria (0°-180°): 1.2
 Spacing Criteria (90°-270°): 1.18



Illuminance at a Distance

Distance from Luminaire	FC at Nadir	Beam Diameter
4'	25.7fc	9'-5"
6'	11.4fc	14'-1"
8'	6.4fc	18'-10"
10'	4.1fc	23'-6"
12'	2.9fc	28'-2"

Zonal Lumen Summary

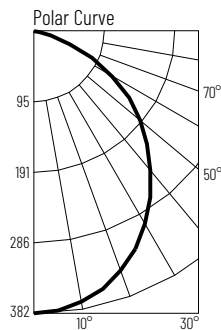
Zone	Lumens	% Luminaire
0-30	309	32.6
0-40	494	52
0-60	825	86.9
0-90	950	100
90-180	0	0
0-180	950	100

Candela Table

Vertical Angles	Candela
0	412
5	409
15	389
25	350
35	297
45	234

Test Information

Test Number: NTR2330R1
 Part Number: NCSR-R61TWMPW
 Beam Spread: 99° Flood
 Lumens: 882lm
 Wattage: 10.89W
 Efficacy: 81lpw
 CCT / CRI: 5000K / 90 CRI
 Spacing Criteria (0°-180°): 1.2
 Spacing Criteria (90°-270°): 1.18



Illuminance at a Distance

Distance from Luminaire	FC at Nadir	Beam Diameter
4'	23.9fc	9'-5"
6'	10.6fc	14'-1"
8'	6fc	18'-8"
10'	3.8fc	23'-5"
12'	2.7fc	28'-1"

Zonal Lumen Summary

Zone	Lumens	% Luminaire
0-30	287	32.5
0-40	458	51.9
0-60	765	86.7
0-90	882	100
90-180	0	0
0-180	882	100

Candela Table

Vertical Angles	Candela
0	372
5	379
15	361
25	325
35	276
45	217