

NPRLV-4RC

4" Pearl 12VAC Low Voltage LED Round Adjustable Cone Retrofit

Source: 11W LED
1200lm

Type

Project

Catalog No.

Notes

PRODUCT DESCRIPTION

Pearl low voltage retrofit series is cULus classified for use in existing IC or Non-IC housings manufactured by Nora and others. The 4" retrofit luminaires deliver up to 1200 lumens with die-cast adjustable cone for optimal visual cut-off and adjustability to aim the light source in desired direction.

FEATURES

- Delivering up to 1200 lumens
- Comfort Dim (warm dimming) is available in 700lm only
- Dedicated CCT options / 90+ CRI
- Field changeable optics included (Spot, Narrow Flood and Flood - installed)
- Integral dimmable driver
- 5-year limited warranty
- cULus classified for damp locations

SPECIFICATION

Construction: Trims are constructed of heat dissipating, die-cast aluminum. The aluminum die-cast LED heat sink is threaded to fit the trim and transfer heat.

Mounting: Luminaire includes friction blades to mount securely to housing.

OPTICS

Three field changeable optics (spot, narrow flood and flood) are included with each LED module. Premium TIR optics are also available.

ELECTRICAL

Input Voltage: 12VAC 60Hz

Socket: GU5.3

Lumens / Wattage: 1200lm / 11W (700lm w/ Comfort Dim)

Color Temperature: 2700K, 3000K, 3500K, 4000K

Color Rendering Index: 90+CRI

Beam Spread: 26° Spot, 38° Narrow Flood, 63° Flood

Operating Temperature: 0°C to 25°C

Lifetime: 50,000 hours @ L70

Comfort Dim: Comfort Dim color tunes the temperature from a bright 3000K, to a romantic and comfortable 2000K on a gradual, even curve. Available in 700lm only.

Dimming: Triac (leading edge) or ELV (trailing edge)

[Click Here](#) or check complete dimmer list at

www.NoraLighting.com in the "Compatibility" page under "Resources" tab.

COMPATIBLE HOUSINGS

Pearl retrofits are compatible with most 4" IC and Non-IC housings by Nora and others.

[NLIC-401](#) 4" IC Air-Tight Double Wall New Construction

[NLIC-402](#) 4" Shallow ICAT Double Wall New Construction

[NL-401](#) 4" Non-IC New Construction

[NL-402S](#) 4" Shallow Non-IC New Construction

[NLR-404](#) 4" Non-IC Remodel

[NLR-403S](#) 4" Shallow Non-IC Remodel

Accessories: Luminaires can accommodate (1) hex louver and (1) translucent deco collar or opaque snoot, no accessory holder is required, see accessories page.

LABELS AND LISTINGS

- cULus classified for Damp Locations
- RoHS compliant
- [5-Year Limited Warranty](#)
- Certified to the high efficacy requirements of California Title 24 JA8-2022

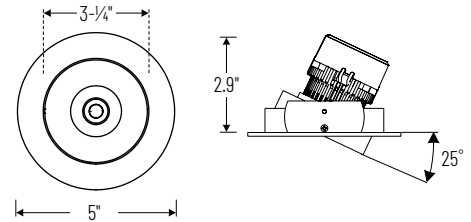


Performance Data

Part Number	Lumens	CCT	Optic
NPRLV-4RC40XWW	1192lm	4000K	Spot
NPRLV-4RC40XWW	1200lm	4000K	Narrow
NPRLV-4RC40XWW	1196lm	4000K	Flood

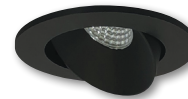
Delivered lumens will vary depending on CCT, optic and finish

PRODUCT IMAGES & DIMENSIONS



NPRLV-4RC

Round Adjustable Cone
Adjustability:
Standard Housings: 25°
Shallow Housings: 10°



BB
Black Reflector
Black Flange



BW
Black Reflector
White Flange



BZ
Bronze Reflector
Bronze Flange



CMPW
Specular Clear Reflector
Matte Powder White Flange



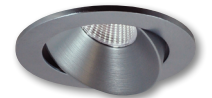
HW
Haze Reflector
White Flange



HZMPW
Haze Reflector
Matte Powder White Flange



MPW
Matte Powder White Reflector
Matte Powder White Flange



NN
Natural Metal Reflector
Natural Metal Flange



WW
White Reflector
White Flange

4" Pearl 12VAC Low Voltage LED Round Adjustable Cone Retrofit

Color Temperature	Finish
NPRLV-4RC27X =2700K	BB = Black / Black
NPRLV-4RC30X =3000K	BW = Black / White
NPRLV-4RC35X =3500K	BZ = Bronze / Bronze
NPRLV-4RC40X =4000K	CMPW = Specular Clear / Matte Powder White
NPRLV-4RCDDX =Comfort Dim	HW = Haze / White
	HZMPW = Haze / Matte Powder White
	MPW = Matte Powder White
	NN = Natural Metal / Natural Metal
	WW = White / White

Example: **NPRLV-4RC27XWW** = 4" Pearl 12VAC Low Voltage LED Round Adjustable Cone Retrofit, 2700K, White finish

Pearl Accessories

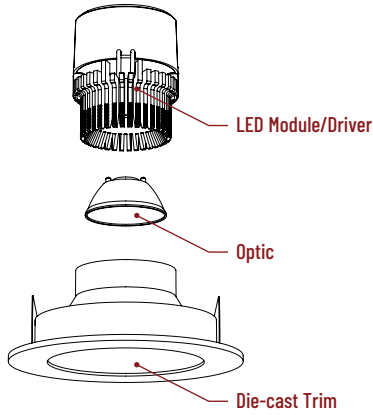
4" Pearl 12VAC Low Voltage LED Round Adjustable Cone Retrofit

Type
Project
Catalog No.
Notes

FIELD CHANGEABLE OPTICS

Pearl luminaires include spot, narrow flood and flood optics. Optics can be changed in the field by removing LED module from die-cast trim. Optional frosted and TIR optics are also available.

Note: Premium TIR optics are not compatible with Comfort Dim LED modules.



Frosted Optics

- NIO-REFL38FR 60° Optic
- NIO-REFL60FR 73° Optic

Replaces optics that are included with each LED module.



Premium TIR Optics

- NIO-REFLTIR15 22° Optic
- NIO-REFLTIR25 26° Optic

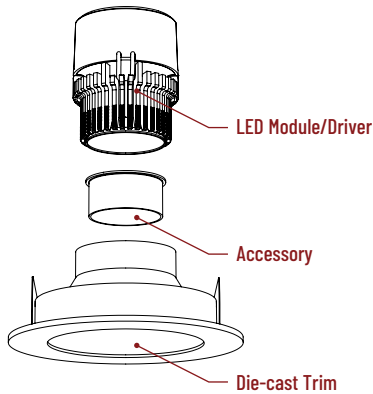
Premium TIR (total internal reflection) optics create optimal spot and narrow flood beam spread.

Not compatible with Comfort Dim (CDX) LED module

ACCESSORIES

Pearl accessories can be added at any point in the design process. Accessories easily install between LED module and die-cast trim.

Luminaire will accommodate (1) hex louver and (1) collar accessory, no accessory holder required.



Translucent Decorative Collar

- NIO-AS14(color) 5/8" length
 - NIO-AS19(color) 3/4" length
 - NIO-AS26(color) 1" length
- Color:**
AM (amber), BLU (blue), FR (frosted), R (red)

Translucent collars color the aperture with the specified color while producing white general light. Collars are available in different lengths. Use to add interest, create a theme, match a theme or define a space.



Opaque Collar Snoot

- NIO-AS14(color) 5/8" length
 - NIO-AS19(color) 3/4" length
 - NIO-AS26(color) 1" length
- Color:**
MPW (matte powder white), WH (white)

Opaque snoot greatly reduces aperture brightness while preserving light output.



Hex Cell Louver

- NIO-HC Black
- Hex cell louver subtly reduces aperture brightness by reducing light output by about 20%.

Hex cell louver is not compatible with TIR optics.

PHOTOMETRICS

4" Pearl 12VAC Low Voltage LED Round Adjustable Cone Retrofit

Type

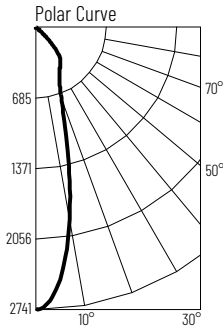
Project

Catalog No.

Notes

Test Information

Test Number: NTR2237R1
 Part Number: NPRLV-4RC40XWW
 Beam Spread: 26° Spot
 Lumens: 1192lm
 Wattage: 10.84W
 Efficacy: 110pw
 CCT / CRI: 4000K / 90 CRI
 Spacing Criteria (0°-180°): 0.46
 Spacing Criteria (90°-270°): 0.46



Illuminance at a Distance

Distance from Luminaire	FC at Nadir	Beam Diameter
4'	171fc	1'-11"
6'	76.1fc	2'-10"
8'	42.8fc	3'-8"
10'	27.4fc	4'-8"
12'	19fc	5'-7"

Zonal Lumen Summary

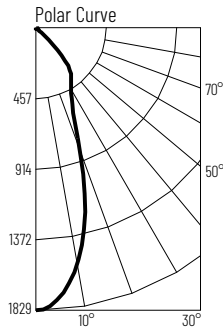
Zone	Lumens	% Luminaire
0-30	781	65.5
0-40	1028	86.2
0-60	1182	99.2
0-90	1192	100
90-180	0	0
0-180	1192	100

Candela Table

Vertical Angles	Candela
0	2741
5	2483
15	1109
25	527
35	404
45	170

Test Information

Test Number: NTR2238R1
 Part Number: NPRLV-4RC40XWW
 Beam Spread: 38° Narrow Flood
 Lumens: 1200lm
 Wattage: 10.84W
 Efficacy: 111pw
 CCT / CRI: 4000K / 90 CRI
 Spacing Criteria (0°-180°): 0.64
 Spacing Criteria (90°-270°): 0.64



Illuminance at a Distance

Distance from Luminaire	FC at Nadir	Beam Diameter
4'	114fc	2'-10"
6'	50.8fc	4'-2"
8'	28.6fc	5'-6"
10'	18.3fc	6'-11"
12'	12.7fc	8'-4"

Zonal Lumen Summary

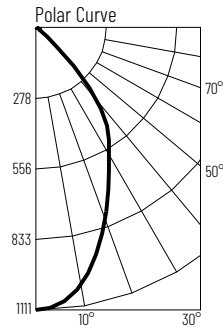
Zone	Lumens	% Luminaire
0-30	769	64.1
0-40	1019	84.9
0-60	1187	98.9
0-90	1200	100
90-180	0	0.2
0-180	1200	100

Candela Table

Vertical Angles	Candela
0	1829
5	1757
15	1212
25	574
35	404
45	188

Test Information

Test Number: NTR2239R1
 Part Number: NPRLV-4RC40XWW
 Beam Spread: 63° Flood
 Lumens: 1196lm
 Wattage: 10.84W
 Efficacy: 110pw
 CCT / CRI: 4000K / 90 CRI
 Spacing Criteria (0°-180°): 0.9
 Spacing Criteria (90°-270°): 0.88



Illuminance at a Distance

Distance from Luminaire	FC at Nadir	Beam Diameter
4'	69.4fc	4'-11"
6'	30.9fc	7'-5"
8'	17.4fc	9'-11"
10'	11.1fc	12'-4"
12'	7.7fc	14'-10"

Zonal Lumen Summary

Zone	Lumens	% Luminaire
0-30	675	56.5
0-40	979	81.9
0-60	1177	98.4
0-90	1196	100
90-180	0	0
0-180	1196	100

Candela Table

Vertical Angles	Candela
0	1111
5	1087
15	928
25	694
35	496
45	214