

NPRLV-4RG

4" Pearl 12VAC Low Voltage LED Round Adjustable Gimbal Retrofit

Source: 11W LED
1050lm

Type

Project

Catalog No.

Notes

PRODUCT DESCRIPTION

Pearl low voltage retrofit series is cULus classified for use in existing IC or Non-IC housings manufactured by Nora and others. The 4" retrofit luminaires deliver up to 1050 lumens with die-cast adjustable gimbal to aim the light source in desired direction.

FEATURES

- Comfort Dim (warm dimming) is available in 600lm only
- 2700K, 3000K, 3500K, 4000K @ 90+ CRI
- Field changeable optics included (Spot, Narrow Flood and Flood - installed)
- Integral dimmable driver
- 5-year limited warranty
- cULus classified for damp locations

SPECIFICATION

Construction: Trims are constructed of heat dissipating, die-cast aluminum. The aluminum die-cast LED heat sink is threaded to fit the trim and transfer heat.

Mounting: Luminaire includes friction blades to mount securely to housing.

OPTICS

Three field changeable optics (spot, narrow flood and flood) are included with each LED module. Premium 22° and 26° TIR optics are also available.

ELECTRICAL

Input Voltage: 12VAC 60Hz

Socket: GU5.3

Lumens / Wattage: 1050lm / 11W (600lm w/ Comfort Dim)

Color Temperature: 2700K, 3000K, 3500K, 4000K

Color Rendering Index: 90+ CRI

Beam Spread: 26° Spot, 35° Narrow Flood, 54° Flood

Operating Temperature: 0°C to 25°C

Lifetime: 50,000 hours @ L70

Comfort Dim: Comfort Dim color tunes the temperature from a bright 3100K, to a romantic and comfortable 2000K on a gradual, even curve. Available in 600lm *only*.

Dimming: Triac (leading edge) or ELV (trailing edge)

[Click Here](#) or check complete dimmer list at

www.NoraLighting.com in the "Compatibility" page under "Resources" tab

COMPATIBLE HOUSINGS

Pearl retrofits are compatible with 4" IC and Non-IC housings by Nora and others.

- [NLIC-401](#) 4" IC Air-Tight Double Wall New Construction
- [NLIC-402](#) 4" Shallow ICAT Double Wall New Construction
- [NL-401](#) 4" Non-IC New Construction
- [NL-402S](#) 4" Shallow Non-IC New Construction
- [NLR-404](#) 4" Non-IC Remodel
- [NLR-403S](#) 4" Shallow Non-IC Remodel

Accessories: Luminaires can accommodate (1) hex louver and (1) translucent deco collar or opaque snoot, no accessory holder is required, see accessories page.

LABELS AND LISTINGS

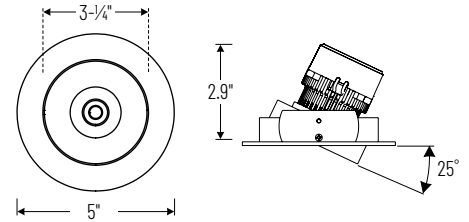
- cULus classified for Damp Locations
- RoHS compliant
- [5-Year Limited Warranty](#)
- Certified to the high efficacy requirements of California Title 24 JA8-2022



Performance Data			
Part Number	Lumens	CCT	Optic
NPRLV-4RG40XWW	1052lm	4000K	Spot
NPRLV-4RG40XWW	1031lm	4000K	Narrow
NPRLV-4RG40XWW	1005lm	4000K	Flood

Delivered lumens will vary depending on CCT, optic and finish

PRODUCT IMAGES & DIMENSIONS



NPRLV-4RG
Round Adjustable Gimbal
Adjustability:
Standard Housings: 25°
Shallow Housings: 10°



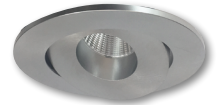
BB
Black



BZ
Bronze



MPW
Matte Powder White



NN
Natural Metal



WW
White

4" Pearl 12VAC Low Voltage LED Round Adjustable Gimbal Retrofit

Color Temperature	Finish
NPRLV-4RG27X =2700K	BB = Black
NPRLV-4RG30X =3000K	BZ = Bronze
NPRLV-4RG35X =3500K	MPW = Matte Powder White
NPRLV-4RG40X =4000K	NN = Natural Metal
NPRLV-4RGCDX =Comfort Dim	WW = White

Example: **NPRLV-4RG27XWW** = 4" Pearl 12VAC Low Voltage LED Round Adjustable Gimbal Retrofit, 2700K, White finish

Pearl Accessories

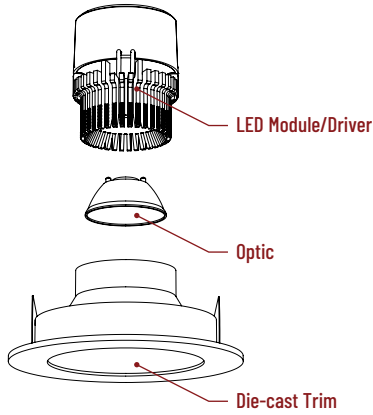
4" Pearl 12VAC Low Voltage LED Round Adjustable Gimbal Retrofit

Type
Project
Catalog No.
Notes

FIELD CHANGEABLE OPTICS

Pearl luminaires include spot, narrow flood and flood optics. Optics can be changed in the field by removing LED module from die-cast trim. Optional frosted and TIR optics are also available.

Note: Premium TIR optics are not compatible with Comfort Dim LED modules.



Frosted Optics

NIO-REFL38FR 60° Optic
 NIO-REFL60FR 73° Optic

Replaces optics that are included with each LED module.



Premium TIR Optics

NIO-REFLTIR15 22° Optic
 NIO-REFLTIR25 26° Optic

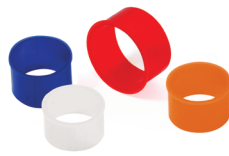
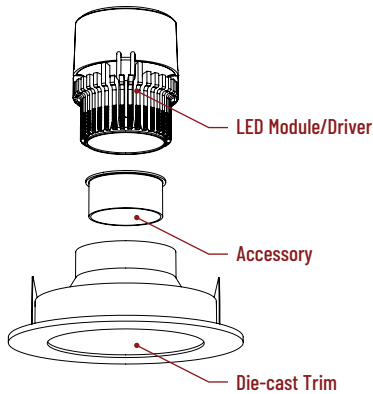
Premium TIR (total internal reflection) optics create optimal spot and narrow flood beam spread.

Not compatible with Comfort Dim (CDX) LED module

ACCESSORIES

Pearl accessories can be added at any point in the design process. Accessories easily install between LED module and die-cast trim.

Luminaire will accommodate (1) hex louver and (1) collar accessory, no accessory holder required.



Translucent Decorative Collar

NIO-AS14(color) 5/8" length
 NIO-AS19(color) 3/4" length
 NIO-AS26(color) 1" length
Color:
 AM (amber), BLU (blue), FR (frosted), R (red)

Translucent collars color the aperture with the specified color while producing white general light. Collars are available in different lengths. Use to add interest, create a theme, match a theme or define a space.



Opaque Collar Snoot

NIO-AS14(color) 5/8" length
 NIO-AS19(color) 3/4" length
 NIO-AS26(color) 1" length
Color:
 MPW (matte powder white), WH (white)

Opaque snoot greatly reduces aperture brightness while preserving light output.



Hex Cell Louver

NIO-HC Black
 Hex cell louver subtly reduces aperture brightness by reducing light output by about 20%.

Hex cell louver is not compatible with TIR optics.

PHOTOMETRICS

4" Pearl 12VAC Low Voltage LED Round Adjustable Gimbal Retrofit

Type

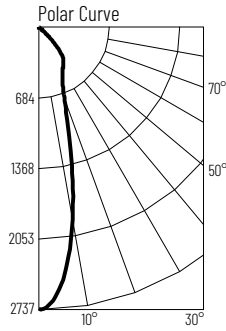
Project

Catalog No.

Notes

Test Information

Test Number: NTR2240R1
 Part Number: NPRLV-4RG40XWW
 Beam Spread: 26° Spot
 Lumens: 1052lm
 Wattage: 10.86W
 Efficacy: 97pw
 CCT / CRI: 4000K / 90 CRI
 Spacing Criteria (0°-180°): 0.44
 Spacing Criteria (90°-270°): 0.44



Illuminance at a Distance

Distance from Luminaire	FC at Nadir	Beam Diameter
4'	171fc	1'-10"
6'	76fc	2'-8"
8'	42.8fc	3'-7"
10'	27.4fc	4'-6"
12'	19fc	5'-5"

Zonal Lumen Summary

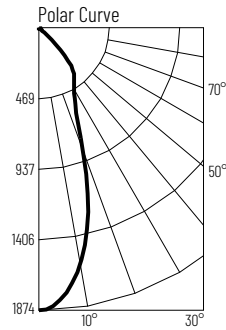
Zone	Lumens	% Luminaire
0-30	760	72.2
0-40	871	82.8
0-60	977	92.9
0-90	1052	100
90-180	0	0
0-180	1052	100

Candela Table

Vertical Angles	Candela
0	2737
5	2436
15	1078
25	529
35	153
45	72

Test Information

Test Number: NTR2241R1
 Part Number: NPRLV-4RG40XWW
 Beam Spread: 35° Narrow Flood
 Lumens: 1031lm
 Wattage: 10.86W
 Efficacy: 95pw
 CCT / CRI: 4000K / 90 CRI
 Spacing Criteria (0°-180°): 0.58
 Spacing Criteria (90°-270°): 0.58



Illuminance at a Distance

Distance from Luminaire	FC at Nadir	Beam Diameter
4'	117fc	2'-6"
6'	52.1fc	3'-10"
8'	29.3fc	5'
10'	18.7fc	6'-4"
12'	13fc	7'-6"

Zonal Lumen Summary

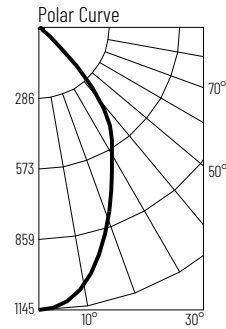
Zone	Lumens	% Luminaire
0-30	724	70.2
0-40	839	81.4
0-60	950	92.1
0-90	1031	100
90-180	0	0
0-180	1031	100

Candela Table

Vertical Angles	Candela
0	1874
5	1775
15	1098
25	558
35	158
45	73

Test Information

Test Number: NTR2242R1
 Part Number: NPRLV-4RG40XWW
 Beam Spread: 54° Flood
 Lumens: 1005lm
 Wattage: 10.86W
 Efficacy: 93pw
 CCT / CRI: 4000K / 90 CRI
 Spacing Criteria (0°-180°): 0.82
 Spacing Criteria (90°-270°): 0.82



Illuminance at a Distance

Distance from Luminaire	FC at Nadir	Beam Diameter
4'	71.6fc	4'-1"
6'	31.8fc	6'-1"
8'	17.9fc	8'-2"
10'	11.5fc	10'-2"
12'	8fc	12'-4"

Zonal Lumen Summary

Zone	Lumens	% Luminaire
0-30	638	63.5
0-40	799	79.5
0-60	921	91.6
0-90	1005	100
90-180	0	0
0-180	1005	100

Candela Table

Vertical Angles	Candela
0	1145
5	1111
15	889
25	652
35	234
45	81