

# NPRLV-4RNDC

## 4" Pearl 12VAC Low Voltage LED Round Retrofit Reflector with Round Aperture

Source: 11W LED  
1150lm

Type

Project

Catalog No.

Notes

### PRODUCT DESCRIPTION

Pearl low voltage retrofit series is cULus classified for use in existing IC or Non-IC housings manufactured by Nora and others. The 4" retrofit luminaires deliver over 1150 lumens with deep regressed cone reflector for optimal visual cut-off.

### FEATURES

- Comfort Dim (warm dimming) is available in 700lm only
- 2700K, 3000K, 3500K, 4000K @ 90+ CRI
- Field changeable optics included (Spot, Narrow Flood and Flood - installed)
- Integral dimmable driver
- 5-year limited warranty
- cULus classified for wet locations

### SPECIFICATION

**Construction:** Trims are constructed of heat dissipating, die-cast aluminum. The aluminum die-cast LED heat sink is threaded to fit the trim and transfer heat.

**Mounting:** Luminaire includes friction blades to mount securely to housing.

**Optics:** Three field changeable optics (spot, narrow flood and flood) are included with each LED module. Premium 22° and 26° TIR optics are also available.

### ELECTRICAL

**Input Voltage:** 12VAC 60Hz

**Socket:** GU5.3

**Lumens / Wattage:** 1150lm / 11W (700lm w/ Comfort Dim)

**Color Temperature:** 2700K, 3000K, 3500K, 4000K

**Color Rendering Index:** 90+CRI

**Beam Spread:** 28° Spot, 40° Narrow Flood, 62° Flood

**Operating Temperature:** 0°C to 25°C

**Lifetime:** 50,000 hours @ L70

**Comfort Dim:** Comfort Dim color tunes the temperature from a bright 3100K, to a romantic and comfortable 2000K on a gradual, even curve. Available in 700lm only.

**Dimming:** Triac (leading edge) or ELV (trailing edge)

[Click Here](#) or check complete dimmer list at [www.NoraLighting.com](http://www.NoraLighting.com) in the "Compatibility" page under "Resources" tab

### COMPATIBLE HOUSINGS

Pearl retrofits are compatible with 4" IC and Non-IC housings by Nora and others.

[NLIC-401](#) 4" IC Air-Tight Double Wall New Construction

[NL-401](#) 4" Non-IC New Construction

[NLR-404](#) 4" Non-IC Remodel

**Accessories:** Luminaires can accommodate (1) hex louver and (1) translucent deco collar or opaque snoot, no accessory holder is required, see page 2.

### LABELS AND LISTINGS

- cULus classified for Wet Locations
- RoHS compliant
- [5-Year Limited Warranty](#)
- Certified to the high efficacy requirements of California Title 24 JA8-2022



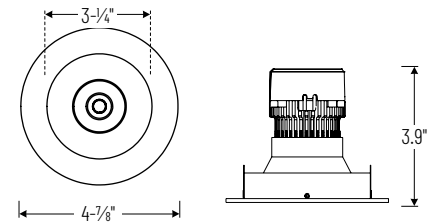
## 4" Pearl 12VAC Low Voltage LED Round Retrofit Reflector with Round Aperture

Color Temperature	Finish
NPRLV-4RNDC27X = 2700K	BB = Black / Black
NPRLV-4RNDC30X = 3000K	BW = Black / White
NPRLV-4RNDC35X = 3500K	BZ = Bronze / Bronze
NPRLV-4RNDC40X = 4000K	CHMPW = Champagne / Matte Powder White
NPRLV-4RNDC40X = 4000K	CMPW = Specular Clear / Matte Powder White
NPRLV-4RNDC40X = 4000K	HW = Haze / White
NPRLV-4RNDC40X = 4000K	HZMPW = Haze / Matte Powder White
NPRLV-4RNDC40X = 4000K	MPW = Matte Powder White
NPRLV-4RNDC40X = 4000K	NN = Natural Metal / Natural Metal
NPRLV-4RNDC40X = 4000K	WW = White / White

Performance Data			
Part Number	Lumens	CCT	Optic
NPRLV-4RNDC40XWW	1161lm	4000K	Spot
NPRLV-4RNDC40XWW	1161lm	4000K	Narrow
NPRLV-4RNDC40XWW	1126lm	4000K	Flood

Delivered lumens will vary depending on CCT, optic and finish

### PRODUCT IMAGES & DIMENSIONS



#### NPRLV-4RNDC

Round Reflector with Round Aperture  
Non-Adjustable



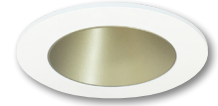
**BB**  
Black Reflector  
Black Flange



**BW**  
Black Reflector  
White Flange



**BZ**  
Bronze Reflector  
Bronze Flange



**CHMPW**  
Champagne Haze Reflector  
Matte Powder White Flange



**CMPW**  
Specular Clear Reflector  
Matte Powder White Flange



**HW**  
Haze Reflector  
White Flange



**HZMPW**  
Haze Reflector  
Matte Powder White Flange



**MPW**  
Matte Powder White Reflector  
Matte Powder White Flange



**NN**  
Natural Metal Reflector  
Natural Metal Flange



**WW**  
White Reflector  
White Flange

Example: NPRLV-4RNDC27XWW = 4" Pearl 12VAC Low Voltage LED Round Retrofit Reflector with Round Aperture, 2700K, White finish

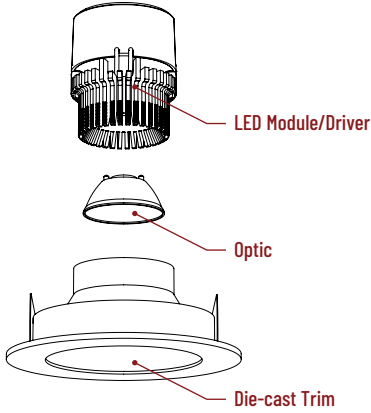
# Pearl Accessories

## 4" Pearl 12VAC Low Voltage LED Round Retrofit Reflector with Round Aperture

Type
Project
Catalog No.
Notes

### FIELD CHANGEABLE OPTICS

Pearl luminaires include spot, narrow flood and flood optics. Optics can be changed in the field by removing LED module from die-cast trim. Optional frosted and TIR optics are also available.  
**Note:** Premium TIR optics are not compatible with Comfort Dim LED modules.



Frosted Optics

**NIO-REFL38FR** 60° Optic  
**NIO-REFL60FR** 73° Optic

Replaces optics that are included with each LED module.



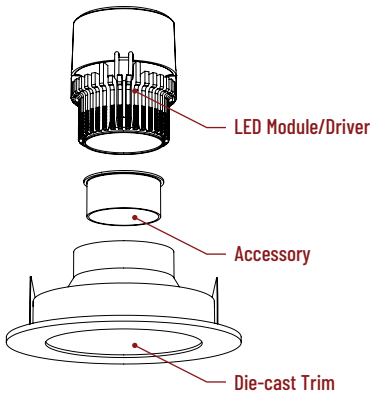
Premium TIR Optics

**NIO-REFLTIR15** 22° Optic  
**NIO-REFLTIR25** 26° Optic

Premium TIR (total internal reflection) optics create optimal spot and narrow flood beam spread.  
**Not compatible with Comfort Dim (CDX) LED module**

### ACCESSORIES

Pearl accessories can be added at any point in the design process. Accessories easily install between LED module and die-cast trim. Luminaire will accommodate (1) hex louver and (1) collar accessory, no accessory holder required.



Translucent Decorative Collar

**NIO-AS14(color)** 5/8" length  
**NIO-AS19(color)** 3/4" length  
**NIO-AS26(color)** 1" length  
**Color:**  
**AM** (amber), **BLU** (blue), **FR** (frosted), **R** (red)

Translucent collars color the aperture with the specified color while producing white general light. Collars are available in different lengths. Use to add interest, create a theme, match a theme or define a space.



Opaque Collar Snoot

**NIO-AS14(color)** 5/8" length  
**NIO-AS19(color)** 3/4" length  
**NIO-AS26(color)** 1" length  
**Color:**  
**MPW** (matte powder white), **WH** (white)

Opaque snoot greatly reduces aperture brightness while preserving light output.



Hex Cell Louver

**NIO-HC** Black  
 Hex cell louver subtly reduces aperture brightness by reducing light output by about 20%.

Hex cell louver is not compatible with TIR optics.

# PHOTOMETRICS

## 4" Pearl 12VAC Low Voltage LED Round Retrofit Reflector with Round Aperture

Type

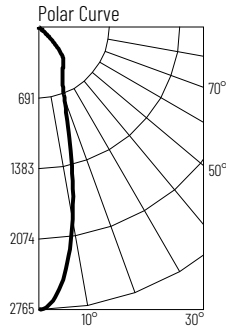
Project

Catalog No.

Notes

### Test Information

Test Number: NTR2246R1  
 Part Number: NPRLV-4RNDC40XWW  
 Beam Spread: 28° Spot  
 Lumens: 1161lm  
 Wattage: 10.81W  
 Efficacy: 107pw  
 CCT / CRI: 4000K / 90 CRI  
 Spacing Criteria (0°-180°): 0.48  
 Spacing Criteria (90°-270°): 0.48



### Illuminance at a Distance

Distance from Luminaire	FC at Nadir	Beam Diameter
4'	173fc	2'
6'	76.8fc	3'
8'	43.2fc	4'
10'	27.7fc	5'
12'	19.2fc	6'

### Zonal Lumen Summary

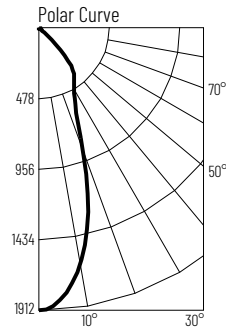
Zone	Lumens	% Luminaire
0-30	780	67.2
0-40	1005	86.6
0-60	1135	97.8
0-90	1161	100
90-180	0	0
0-180	1161	100

### Candela Table

Vertical Angles	Candela
0	2765
5	2517
15	1276
25	606
35	320
45	53

### Test Information

Test Number: NTR2247R1  
 Part Number: NPRLV-4RNDC40XWW  
 Beam Spread: 40° Narrow Flood  
 Lumens: 1166lm  
 Wattage: 10.81W  
 Efficacy: 108pw  
 CCT / CRI: 4000K / 90 CRI  
 Spacing Criteria (0°-180°): 0.66  
 Spacing Criteria (90°-270°): 0.66



### Illuminance at a Distance

Distance from Luminaire	FC at Nadir	Beam Diameter
4'	120fc	2'-11"
6'	53.1fc	4'-4"
8'	29.9fc	5'-10"
10'	19.1fc	7'-2"
12'	13.3fc	8'-8"

### Zonal Lumen Summary

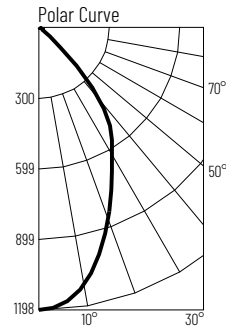
Zone	Lumens	% Luminaire
0-30	847	72.6
0-40	1061	91
0-60	1141	97.8
0-90	1166	100
90-180	0	0
0-180	1166	100

### Candela Table

Vertical Angles	Candela
0	1912
5	1821
15	1311
25	660
35	383
45	54

### Test Information

Test Number: NTR2248R1  
 Part Number: NPRLV-4RNDC40XWW  
 Beam Spread: 62° Flood  
 Lumens: 1126lm  
 Wattage: 10.81W  
 Efficacy: 104pw  
 CCT / CRI: 4000K / 90 CRI  
 Spacing Criteria (0°-180°): 0.9  
 Spacing Criteria (90°-270°): 0.9



### Illuminance at a Distance

Distance from Luminaire	FC at Nadir	Beam Diameter
4'	74.9fc	4'-10"
6'	33.3fc	7'-2"
8'	18.7fc	9'-7"
10'	12fc	11'-11"
12'	8.3fc	14'-4"

### Zonal Lumen Summary

Zone	Lumens	% Luminaire
0-30	731	64.9
0-40	999	88.7
0-60	1098	97.5
0-90	1126	100
90-180	0	0
0-180	1126	100

### Candela Table

Vertical Angles	Candela
0	1198
5	1173
15	1001
25	754
35	473
45	67