

NPRLV-4RPHA

4" Pearl 12VAC Low Voltage LED Round Adjustable Pinhole Retrofit

Source: 11W LED
950lm

Type

Project

Catalog No.

Notes

PRODUCT DESCRIPTION

Pearl LED Retrofit series is cULus classified for use in existing IC housings manufactured by Nora. The 4" retrofit luminaires deliver up to 950 lumens with 2" pinhole to focus the beam spread through small opening. Available in fixed downlight or adjustable.

FEATURES

- Comfort Dim (warm dimming) is available in 600lm only
- 2700K, 3000K, 3500K, 4000K @ 90+ CRI
- Field changeable optics included (Spot, Narrow Flood and Flood - installed)
- Integral dimmable driver
- 5-year limited warranty
- cULus classified for damp locations

SPECIFICATION

Construction: Trims are constructed of heat dissipating, die-cast aluminum. The aluminum die-cast LED heat sink is threaded to fit the trim and transfer heat.

Mounting: Trim includes friction blades to mount securely to housing.

OPTICS

Three field changeable optics (spot, narrow flood and flood) are included with each LED module. Premium 22° and 26° TIR optics are also available.

ELECTRICAL

Input Voltage: 12VAC 60Hz

Socket: GU5.3

Lumens / Wattage: 950lm / 11W (600lm w/ Comfort Dim)

Color Temperature: 2700K, 3000K, 3500K, 4000K

Color Rendering Index: 90+CRI

Beam Spread: 26° Spot, 35° Narrow Flood, 44° Flood

Operating Temperature: 0°C to 25°C

Lifetime: 50,000 hours @ L70

Comfort Dim: Comfort Dim color tunes the temperature from a bright 3100K, to a romantic and comfortable 2000K on a gradual, even curve. Available in 600lm only.

Dimming: Triac (leading edge) or ELV (trailing edge)

[Click Here](#) or check complete dimmer list at www.NoraLighting.com in the "Compatibility" page under "Resources" tab

COMPATIBLE HOUSING

Pearl adjustable pinhole retrofit reflectors are compatible with 4" IC and Non-IC housings by Nora and others.

[NLIC-401](#) 4" IC Air-Tight Double Wall New Construction

[NL-401](#) 4" Non-IC New Construction

[NLR-404](#) 4" Non-IC Remodel

Accessories: Luminaires can accommodate (1) hex louver and (1) translucent deco collar or opaque snoot, no accessory holder is required, see accessories page.

LABELS AND LISTINGS

- cULus classified for Damp Locations
- RoHS compliant
- [5-Year Limited Warranty](#)
- Certified to the high efficacy requirements of California Title 24 JA8-2022

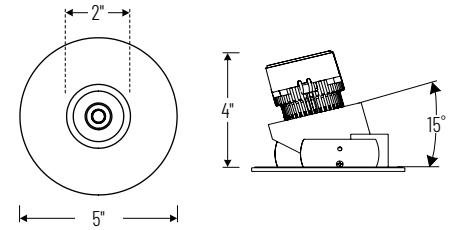


Performance Data

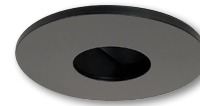
Part Number	Lumens	CCT	Optic
NPRLV-4RPHA40XWW	957lm	4000K	Spot
NPRLV-4RPHA40XWW	934lm	4000K	Narrow
NPRLV-4RPHA40XWW	859lm	4000K	Flood

Delivered lumens will vary depending on CCT, optic and finish

PRODUCT IMAGES & DIMENSIONS



NPRLV-4RPHA
Round Adjustable Pinhole
15° Adjustable



BB
Black Pinhole
Black Flange



BMPW
Black Pinhole
Matte Powder White Flange



HZMPW
Haze Pinhole
Matte Powder White Flange



MPW
Matte Powder White Pinhole
Matte Powder White Flange



WW
White Pinhole
White Flange

4" Pearl 12VAC Low Voltage LED Round Adjustable Pinhole Retrofit

Color Temperature	Finish
NPRLV-4RPHA27X = 2700K	BB = Black / Black
NPRLV-4RPHA30X = 3000K	BMPW = Black / Matte Powder White
NPRLV-4RPHA35X = 3500K	HZMPW = Haze / Matte Powder White
NPRLV-4RPHA40X = 4000K	MPW = Matte Powder White
NPRLV-4RPHACDX = Comfort Dim	WW = White

Example: NPRLV-4RPHA27XWW = 4" Pearl 12VAC Low Voltage LED Round Adjustable Pinhole Retrofit, 2700K, White finish

Pearl Accessories

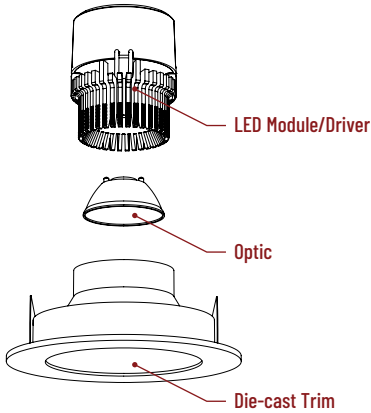
4" Pearl 12VAC Low Voltage LED Round Adjustable Pinhole Retrofit

Type
Project
Catalog No.
Notes

FIELD CHANGEABLE OPTICS

Pearl luminaires include spot, narrow flood and flood optics. Optics can be changed in the field by removing LED module from die-cast trim. Replacement optics include an optional frosted lens.

Note: Premium TIR optics are not compatible with Comfort Dim LED modules.



Frosted Optics

NIO-REFL38FR 60° Optic
NIO-REFL60FR 73° Optic

Replaces optics that are included with each LED module.



Premium TIR Optics

NIO-REFLTIR15 22° Optic
NIO-REFLTIR25 26° Optic

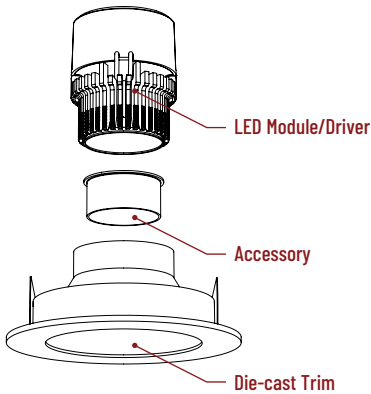
Premium TIR (total internal reflection) optics create optimal spot and narrow flood beam spread.

Not compatible with Comfort Dim (CDX) LED module

ACCESSORIES

Pearl accessories can be added at any point in the design process. Accessories easily install between LED module and die-cast trim.

Luminaire will accommodate (1) hex louver and (1) collar accessory, no accessory holder required.



Translucent Decorative Collar

NIO-AS14(color) 5/8" length
NIO-AS19(color) 3/4" length
NIO-AS26(color) 1" length
Color:
AM (amber), **BLU** (blue), **FR** (frosted), **R** (red)

Translucent collars color the aperture with the specified color while producing white general light. Collars are available in different lengths. Use to add interest, create a theme, match a theme or define a space.



Opaque Collar Snoot

NIO-AS14(color) 5/8" length
NIO-AS19(color) 3/4" length
NIO-AS26(color) 1" length
Color:
MPW (matte powder white), **WH** (white)

Opaque snoot greatly reduces aperture brightness while preserving light output.



Hex Cell Louver

NIO-HC Black
 Hex cell louver subtly reduces aperture brightness by reducing light output by about 20%.

Hex cell louver is not compatible with TIR optics.

PHOTOMETRICS

4" Pearl 12VAC Low Voltage LED Round Adjustable Pinhole Retrofit

Type

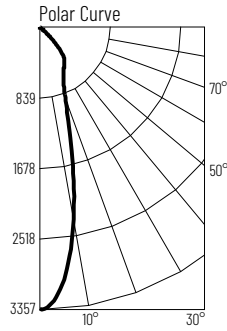
Project

Catalog No.

Notes

Test Information

Test Number: NTR2252R1
 Part Number: NPRLV-4RPHA40XWW
 Beam Spread: 26° Spot
 Lumens: 957lm
 Wattage: 10.87W
 Efficacy: 88pw
 CCT / CRI: 4000K / 90 CRI
 Spacing Criteria (0°-180°): 0.44
 Spacing Criteria (90°-270°): 0.46



Illuminance at a Distance

Distance from Luminaire	FC at Nadir	Beam Diameter
4'	210fc	1'-11"
6'	93.2fc	2'-10"
8'	52.4fc	3'-8"
10'	33.6fc	4'-7"
12'	23.3fc	5'-7"

Zonal Lumen Summary

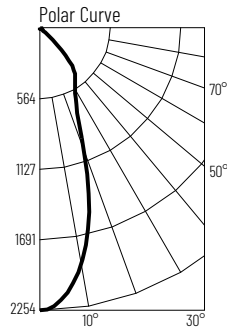
Zone	Lumens	% Luminaire
0-30	806	84.2
0-40	853	89.1
0-60	911	95.2
0-90	957	100
90-180	0	0
0-180	957	100

Candela Table

Vertical Angles	Candela
0	3357
5	3082
15	1269
25	242
35	72
45	44

Test Information

Test Number: NTR2253R1
 Part Number: NPRLV-4RPHA40XWW
 Beam Spread: 35° Narrow Flood
 Lumens: 934lm
 Wattage: 10.87W
 Efficacy: 86pw
 CCT / CRI: 4000K / 90 CRI
 Spacing Criteria (0°-180°): 0.58
 Spacing Criteria (90°-270°): 0.58



Illuminance at a Distance

Distance from Luminaire	FC at Nadir	Beam Diameter
4'	141fc	2'-6"
6'	62.6fc	3'-10"
8'	35.2fc	5'-1"
10'	22.5fc	6'-4"
12'	15.7fc	7'-7"

Zonal Lumen Summary

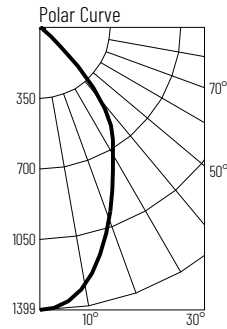
Zone	Lumens	% Luminaire
0-30	770	82.5
0-40	818	87.6
0-60	881	94.3
0-90	934	100
90-180	0	0
0-180	934	100

Candela Table

Vertical Angles	Candela
0	2254
5	2171
15	1364
25	348
35	71
45	50

Test Information

Test Number: NTR2254R1
 Part Number: NPRLV-4RPHA40XWW
 Beam Spread: 44° Flood
 Lumens: 859lm
 Wattage: 10.87W
 Efficacy: 79pw
 CCT / CRI: 4000K / 90 CRI
 Spacing Criteria (0°-180°): 0.74
 Spacing Criteria (90°-270°): 0.74



Illuminance at a Distance

Distance from Luminaire	FC at Nadir	Beam Diameter
4'	87.5fc	3'-2"
6'	38.9fc	4'-11"
8'	21.9fc	6'-6"
10'	14fc	8'-1"
12'	9.7fc	9'-8"

Zonal Lumen Summary

Zone	Lumens	% Luminaire
0-30	648	75.5
0-40	731	85.1
0-60	801	93.3
0-90	859	100
90-180	0	0
0-180	859	100

Candela Table

Vertical Angles	Candela
0	1399
5	1374
15	1085
25	496
35	131
45	54