

NPRLV-4RPH

4" Pearl 12VAC Low Voltage LED Round Fixed Pinhole Retrofit

Source: 11W LED
950lm

Type _____

Project _____

Catalog No. _____

Notes _____

PRODUCT DESCRIPTION

Pearl low voltage retrofit series is cULus classified for use in existing IC or Non-IC housings manufactured by Nora and others. The 4" retrofit luminaires deliver up to 950 lumens with 2" pinhole to focus the beam spread through small opening. Available in fixed downlight or adjustable.

FEATURES

- Comfort Dim (warm dimming) is available in 550lm only
- 2700K, 3000K, 3500K, 4000K @ 90+ CRI
- Field changeable optics included (Spot, Narrow Flood and Flood - installed)
- Integral dimmable driver
- 5-year limited warranty
- cULus classified for wet locations

SPECIFICATION

Construction: Trims are constructed of heat dissipating, die-cast aluminum. The aluminum die-cast LED heat sink is threaded to fit the trim and transfer heat.

Mounting: Reflector includes friction blades to mount securely to housing.

OPTICS

Three field changeable optics (spot, narrow flood and flood) are included with each LED module. Premium 22° and 26° TIR optics are also available.

ELECTRICAL

Input Voltage: 12VAC 60Hz

Socket: GU5.3

Lumens / Wattage: 950lm / 11W (550lm w/ Comfort Dim)

Color Temperature: 2700K, 3000K, 3500K, 4000K

Color Rendering Index: 90+ CRI

Beam Spread: 28° Spot, 39° Narrow Flood, 53° Flood

Operating Temperature: 0°C to 25°C

Lifetime: 50,000 hours @ L70

Comfort Dim: Comfort Dim color tunes the temperature from a bright 3100K, to a romantic and comfortable 2000K on a gradual, even curve. Available in 550lm only.

Dimming: Triac (leading edge) or ELV (trailing edge)

[Click Here](#) or check complete dimmer list at

www.NoraLighting.com in the "Compatibility" page under "Resources" tab

COMPATIBLE HOUSINGS

Pearl retrofits are compatible with most 4" IC and Non-IC housings by Nora and others.

- [NLIC-401](#) 4" IC Air-Tight Double Wall New Construction
- [NLIC-402](#) 4" Shallow ICAT Double Wall New Construction
- [NL-401](#) 4" Non-IC New Construction
- [NL-402S](#) 4" Shallow Non-IC New Construction
- [NLR-404](#) 4" Non-IC Remodel
- [NLR-403S](#) 4" Shallow Non-IC Remodel

Accessories: Luminaires can accommodate (1) hex louver and (1) translucent deco collar or opaque snoot, no accessory holder is required, see accessories page.

LABELS AND LISTINGS

- cULus classified for Wet Locations
- RoHS compliant
- [5-Year Limited Warranty](#)
- Certified to the high efficacy requirements of California Title 24 JA8-2022

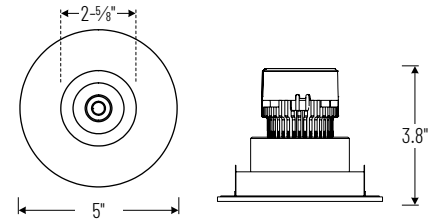


Performance Data

| Part Number | Lumens | CCT | Optic |
|------------------------|--------|-------|--------|
| NPRLV-4RPH40XWW | 968lm | 4000K | Spot |
| NPRLV-4RPH40XWW | 952lm | 4000K | Narrow |
| NPRLV-4RPH40XWW | 895lm | 4000K | Flood |

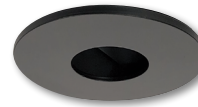
Delivered lumens will vary depending on CCT, optic and finish

PRODUCT IMAGES & DIMENSIONS



NPRLV-4RPH

Round Adjustable Pinhole
Non-Adjustable



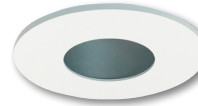
BB

Black Pinhole
Black Flange



BMPW

Black Pinhole
Matte Powder White Flange



HZMPW

Haze Pinhole
Matte Powder White Flange



MPW

Matte Powder White Pinhole
Matte Powder White Flange

4" Pearl 12VAC Low Voltage LED Round Fixed Pinhole Retrofit

| Color Temperature | Finish |
|------------------------------------|--|
| NPRLV-4RPH27X = 2700K | BB = Black / Black |
| NPRLV-4RPH30X = 3000K | BMPW = Black / Matte Powder White |
| NPRLV-4RPH35X = 3500K | HZMPW = Haze / Matte Powder White |
| NPRLV-4RPH40X = 4000K | MPW = Matte Powder White |
| NPRLV-4RPHCDX = Comfort Dim | |

Example: **NPRLV-4RPH27XMPW** = 4" Pearl 12VAC Low Voltage LED Round Fixed Pinhole Retrofit, 2700K, Matte Powder White finish

Pearl Accessories

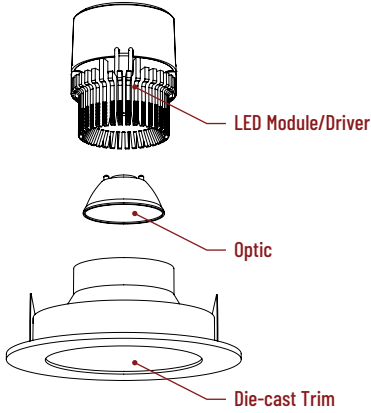
4" Pearl 12VAC Low Voltage LED Round Fixed Pinhole Retrofit

| |
|-------------|
| Type |
| Project |
| Catalog No. |
| Notes |

FIELD CHANGEABLE OPTICS

Pearl luminaires include spot, narrow flood and flood optics. Optics can be changed in the field by removing LED module from die-cast trim. Replacement optics include an optional frosted lens.

Note: Premium TIR optics are not compatible with Comfort Dim LED modules.



Frosted Optics

NIO-REFL38FR 60° Optic
NIO-REFL60FR 73° Optic

Replaces optics that are included with each LED module.



Premium TIR Optics

NIO-REFLTIR15 22° Optic
NIO-REFLTIR25 26° Optic

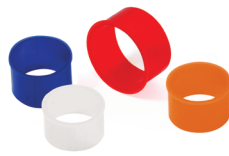
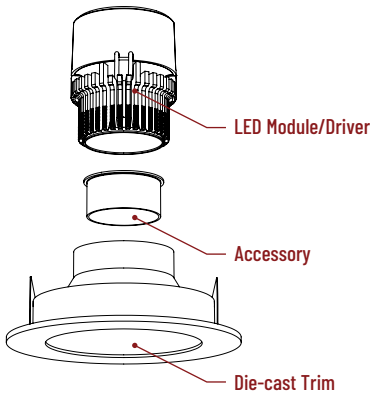
Premium TIR (total internal reflection) optics create optimal spot and narrow flood beam spread.

Not compatible with Comfort Dim (CDX) LED module

ACCESSORIES

Pearl accessories can be added at any point in the design process. Accessories easily install between LED module and die-cast trim.

Luminaire will accommodate (1) hex louver and (1) collar accessory, no accessory holder required.



Translucent Decorative Collar

NIO-AS14(color) 5/8" length
NIO-AS19(color) 3/4" length
NIO-AS26(color) 1" length
Color:
AM (amber), **BLU** (blue), **FR** (frosted), **R** (red)

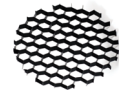
Translucent collars color the aperture with the specified color while producing white general light. Collars are available in different lengths. Use to add interest, create a theme, match a theme or define a space.



Opaque Collar Snoot

NIO-AS14(color) 5/8" length
NIO-AS19(color) 3/4" length
NIO-AS26(color) 1" length
Color:
MPW (matte powder white), **WH** (white)

Opaque snoot greatly reduces aperture brightness while preserving light output.



Hex Cell Louver

NIO-HC Black

Hex cell louver subtly reduces aperture brightness by reducing light output by about 20%.

Hex cell louver is not compatible with TIR optics.

PHOTOMETRICS

4" Pearl 12VAC Low Voltage LED Round Fixed Pinhole Retrofit

Type

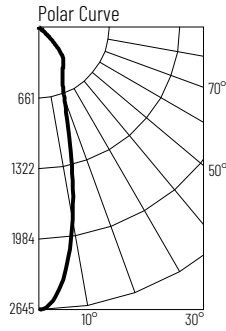
Project

Catalog No.

Notes

Test Information

Test Number: NTR2249R1
 Part Number: NPRLV-4RPH40XWW
 Beam Spread: 28° Spot
 Lumens: 968lm
 Wattage: 10.86W
 Efficacy: 89pw
 CCT / CRI: 4000K / 90 CRI
 Spacing Criteria (0°-180°): 0.46
 Spacing Criteria (90°-270°): 0.48



Illuminance at a Distance

| Distance from Luminaire | FC at Nadir | Beam Diameter |
|-------------------------|-------------|---------------|
| 4' | 165fc | 2' |
| 6' | 73.5fc | 3' |
| 8' | 41.3fc | 3'-11" |
| 10' | 26.4fc | 4'-11" |
| 12' | 18.4fc | 5'-11" |

Zonal Lumen Summary

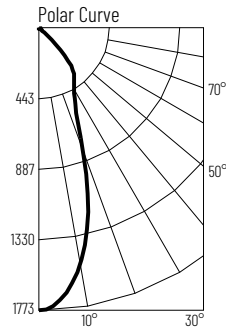
| Zone | Lumens | % Luminaire |
|--------|--------|-------------|
| 0-30 | 764 | 79 |
| 0-40 | 834 | 86.2 |
| 0-60 | 910 | 94 |
| 0-90 | 968 | 100 |
| 90-180 | 0 | 0 |
| 0-180 | 968 | 100 |

Candela Table

| Vertical Angles | Candela |
|-----------------|---------|
| 0 | 2645 |
| 5 | 2392 |
| 15 | 1162 |
| 25 | 475 |
| 35 | 85 |
| 45 | 54 |

Test Information

Test Number: NTR2250R1
 Part Number: NPRLV-4RPH40XWW
 Beam Spread: 39° Narrow Flood
 Lumens: 952lm
 Wattage: 10.86W
 Efficacy: 88pw
 CCT / CRI: 4000K / 90 CRI
 Spacing Criteria (0°-180°): 0.64
 Spacing Criteria (90°-270°): 0.64



Illuminance at a Distance

| Distance from Luminaire | FC at Nadir | Beam Diameter |
|-------------------------|-------------|---------------|
| 4' | 111fc | 2'-10" |
| 6' | 49.3fc | 4'-2" |
| 8' | 27.7fc | 5'-8" |
| 10' | 17.7fc | 7'-1" |
| 12' | 12.3fc | 8'-6" |

Zonal Lumen Summary

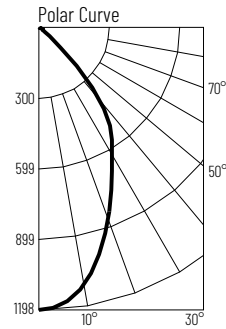
| Zone | Lumens | % Luminaire |
|--------|--------|-------------|
| 0-30 | 734 | 77.1 |
| 0-40 | 809 | 85 |
| 0-60 | 888 | 93.3 |
| 0-90 | 952 | 100 |
| 90-180 | 0 | 0 |
| 0-180 | 952 | 100 |

Candela Table

| Vertical Angles | Candela |
|-----------------|---------|
| 0 | 1773 |
| 5 | 1706 |
| 15 | 1220 |
| 25 | 537 |
| 35 | 87 |
| 45 | 54 |

Test Information

Test Number: NTR2251R1
 Part Number: NPRLV-4RPH40XWW
 Beam Spread: 53° Flood
 Lumens: 895lm
 Wattage: 10.86W
 Efficacy: 82pw
 CCT / CRI: 4000K / 90 CRI
 Spacing Criteria (0°-180°): 0.84
 Spacing Criteria (90°-270°): 0.84



Illuminance at a Distance

| Distance from Luminaire | FC at Nadir | Beam Diameter |
|-------------------------|-------------|---------------|
| 4' | 68.5fc | 4' |
| 6' | 30.5fc | 6' |
| 8' | 17.1fc | 7'-11" |
| 10' | 11fc | 9'-11" |
| 12' | 7.6fc | 11'-11" |

Zonal Lumen Summary

| Zone | Lumens | % Luminaire |
|--------|--------|-------------|
| 0-30 | 624 | 69.8 |
| 0-40 | 735 | 82.2 |
| 0-60 | 826 | 92.3 |
| 0-90 | 895 | 100 |
| 90-180 | 0 | 0 |
| 0-180 | 895 | 100 |

Candela Table

| Vertical Angles | Candela |
|-----------------|---------|
| 0 | 1096 |
| 5 | 1074 |
| 15 | 922 |
| 25 | 634 |
| 35 | 143 |
| 45 | 59 |