

# NIO-4RSLA

4" Iolite Round Adjustable Slot with 10° Optic

Source: 12W  
850lm

Type
Project
Catalog No.
Notes

## PRODUCT DESCRIPTION

4" Iolite luminaires can be specified for use with Iolite new construction or remodel housings. Regressed cone construction optimizes visual cut-off and adjust up to 30°.

## FEATURES

- Delivering up to 8837 center beam candlepower (CBCP)
- 2700K, 3000K, 3500K, 4000K @ 90+ CRI
- 10° TIR optic delivers luminous intensity of higher lumen downlights
- 5-Year limited warranty

## SPECIFICATION

**Construction:** Trims are constructed of heat dissipating, die-cast aluminum. The aluminum die-cast LED heat sink is threaded to fit the trim and transfer heat.

**Mounting:** Trim includes friction blades to mount securely to housing.

## OPTIC

Each luminaire includes 10° TIR optic (Note: cannot be changed in the field)  
Luminaire is also available with field changeable optics, [Click Here](#) for more information.

## ELECTRICAL

**Lumens / Wattage:** 850lm / 12W  
**Color Temperature:** 2700K, 3000K, 3500K, 4000K  
**Color Rendering Index:** 90+CRI  
**Operating Temperature:** Specified by housing  
**Lifetime:** 50,000 hours @ L70  
**Dimming:** Specified by housing

## COMPATIBLE HOUSINGS

Luminaires are compatible with respective Iolite housings manufactured by Nora Lighting.

CATALOG NO.	DESCRIPTION
<a href="#">NHIOICD-48LE4</a>	ICAT New Construction, 120-277V; Triac / ELV / 0-10V
<a href="#">NHIOICD-48LUPEQ</a>	ICAT New Construction, 120/277V; Lutron EcoSystem
<a href="#">NHIOICDCP-48LE4</a>	Chicago Plenum, 120-277V; Triac / ELV / 0-10V
<a href="#">NHIOICDCP-48LUPEQ</a>	Chicago Plenum, 120/277V; Lutron EcoSystem
<a href="#">NHRIOIC-48LE4</a>	ICAT Remodel, 120-277V; Triac / ELV / 0-10V

**Accessories:** Luminaires can accommodate (1) hex louver and (1) translucent deco collar or opaque snoot, no accessory holder is required, see accessories page. Flush mount mud ring is available to give the appearance of trimless, compatible with new construction housings only.

## LABELS AND LISTINGS

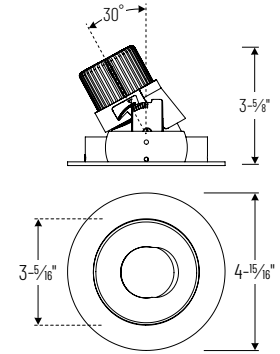
- cULus Listed for Damp Locations
- [5-Year Limited Warranty](#)
- RoHS Compliant
- Certified to the high efficacy requirements of California Title 24 JA8-2022



Performance Data			
Part Number	Lumens	CCT	CBCP
<b>NIO-4RSLA400WW</b>	850lm	4000K	8837 cd

*Delivered lumens will vary depending on CCT and finish*

## PRODUCT IMAGES & DIMENSIONS



### NIO-4RSLA

Round Adjustable Slot Aperture

Adjustability:

New Construction: 30° / Remodel: 25°



#### BMPW

Black Reflector  
Matte Powder White Flange



#### MPW

Matte Powder White Reflector  
Matte Powder White Flange

## 4" Iolite Round Adjustable Slot with 10° Optic - Dedicated Housing Required

Color Temperature	Finish
<b>NIO-4RSLA270</b> = 2700K	<b>BMPW</b> = Black / Matte Powder White
<b>NIO-4RSLA300</b> = 3000K	<b>MPW</b> = Matte Powder White
<b>NIO-4RSLA350</b> = 3500K	
<b>NIO-4RSLA400</b> = 4000K	

## Compatible Housings

Housing Type
<b>NHIOICD-48LE4</b> = ICAT New Construction; Triac / ELV / 0-10V
<b>NHIOICD-48LUPEQ</b> = ICAT New Construction; Lutron EcoSystem
<b>NHIOICDCP-48LE4</b> = Chicago Plenum; Triac / ELV / 0-10V
<b>NHIOICDCP-48LUPEQ</b> = Chicago Plenum; Lutron EcoSystem
<b>NHRIOIC-48LE4</b> = ICAT Remodel; Triac / ELV / 0-10V

Example: **NIO-4RSLA270BMPW** = 4" Iolite Round Adjustable Slot with 10° Optic, 2700K, Black Reflector / Matte Powder White Flange

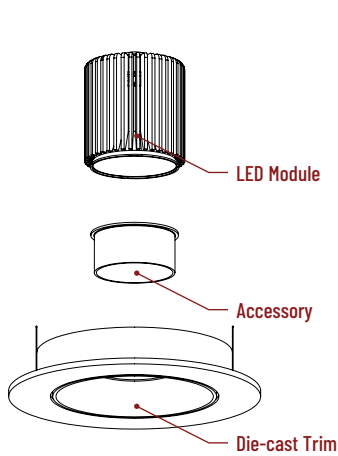
# 4" Iolite Accessories

4" Iolite Round Adjustable Slot with 10° Optic

Type
Project
Catalog No.
Notes

## ACCESSORIES

Iolite accessories can be added at any point in the design process. Accessories easily install between LED module and die-cast trim. Luminaire will accommodate (1) hex louver and (1) collar accessory, no accessory holder required.



Translucent Decorative Collar

**NIO-AS14(color)** 5/8" length  
**NIO-AS19(color)** 3/4" length  
**NIO-AS26(color)** 1" length  
**Color:**  
**AM** (amber), **BLU** (blue), **FR** (frosted), **R** (red)

Translucent collars color the aperture with the specified color while producing white general light. Collars are available in different lengths. Use to add interest, create a theme, match a theme or define a space.



Opaque Collar Snoot

**NIO-AS14(color)** 5/8" length  
**NIO-AS19(color)** 3/4" length  
**NIO-AS26(color)** 1" length  
**Color:**  
**MPW** (matte powder white), **WH** (white)

Opaque snoot greatly reduces aperture brightness while preserving light output.



Hex Cell Louver

**NIO-HC** Black  
 Hex cell louver subtly reduces aperture brightness by reducing light output by about 20%.

## FLUSH MOUNT

4" Iolite trims can be installed flush with the drywall for a flush mount appearance. A flush mount mud ring is installed after the drywall and a professional drywall finisher floats the ceiling to blend in the mud ring.

Flush Mount Mud Ring



**NIO-FMMR-4R** Round Mud Ring

Mounts trim flush to ceiling with flange visible. Mud ring attaches to drywall. **Only for use with NH10ICD-48 or NH10ICDCP-48 new construction housings and NIO-4R trims.**  
 Dimensions: 7-7/8" diameter 1/2" thick

# PHOTOMETRICS

## 4" Iolite Round Adjustable Slot with 10° Optic

Type \_\_\_\_\_

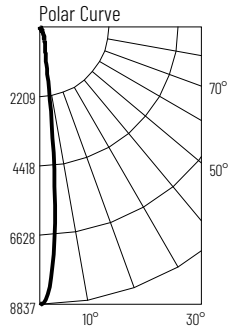
Project \_\_\_\_\_

Catalog No. \_\_\_\_\_

Notes \_\_\_\_\_

### Test Information

Test Number: NTR2651R2  
 Part Number: NIO-4RSLA40QMPW  
 Beam Spread: 13° Spot  
 Lumens: 898lm  
 Wattage: 12.06W  
 Efficacy: 74lpw  
 CCT / CRI: 4000K / 90 CRI  
 Spacing Criteria (0°-180°): 0.24  
 Spacing Criteria (90°-270°): 0.24



### Illuminance at a Distance

Distance from Luminaire	FC at Nadir	Beam Diameter
6'	213fc	1'-5"
8'	120fc	1'-11"
10'	76.6fc	2'-4"
12'	53.2fc	2'-10"
14'	39.1fc	3'-4"

### Zonal Lumen Summary

Zone	Lumens	% Luminaire
0-30	765	85.2
0-40	849	94.5
0-60	889	99
0-90	898	100
90-180	0	0
0-180	898	100

### Candela Table

Vertical Angles	Candela
0	8837
5	5961
15	681
25	293
35	106
45	14

### Lumen Output Multipliers

Color Temperature: 2700K (0.9), 3000K (0.96), 3500K (0.96), 4000K (1.00)