

NIO-4RSLA

4" Iolite Round Adjustable Slot

Source: 14W to 24W LED
800lm to 2000lm

Type

Project

Catalog No.

Notes

PRODUCT DESCRIPTION

4" Iolite LED downlights require a dedicated Iolite new construction or remodel housing. Regressed cone construction optimizes visual cut-off and adjust up to 30°.

FEATURES

- 800lm, 1000lm, 1500lm, 2000lm or 2500lm LED packages
- 2700K, 3000K, 3500K, 4000K, 5000K @ 90+ CRI
- Comfort Dim (warm dimming) also available
- Flood optic, narrow flood and spot optics (included)
- 5-Year limited warranty

SPECIFICATION

Construction: Trims are constructed of heat dissipating, die-cast aluminum. The aluminum die-cast LED heat sink is threaded to fit the trim and transfer heat.

Mounting: Luminaire includes friction blades to mount securely to housing.

OPTICS

800-1000lm: Three field changeable optics (spot, narrow flood and flood) are included with each LED module. Premium 10° TIR narrow spot optic assembly also available ([Click Here](#) for more information). Optional frosted and TIR optics are also available.

1500-2000lm: Three field changeable TIR optics (spot, narrow flood and flood) are included with each LED module.

ELECTRICAL

Lumens / Wattage: 800lm / 14W, 1000lm / 14W, 1500lm / 20W, 2000lm / 24W

Color Temperature: 2700K, 3000K, 3500K, 4000K, 5000K

Color Rendering Index: 90+ CRI

Operating Temperature: Specified by housing

Lifetime: 50,000 hours @ L70

Comfort Dim: Comfort Dim color tunes the temperature from a bright 3100K (800lm) or 3000K (HL), to a romantic and comfortable 2000K on a gradual, even curve. Available in 800lm or HL (1500lm-2500lm).

Dimming: Specified by housing

COMPATIBLE HOUSINGS

Luminaires are compatible with respective Iolite housings manufactured by Nora Lighting.

CATALOG NO.	DESCRIPTION	LUMENS / WATTAGE
NHIOICD-48	ICAT New Construction	800-1000lm / 14W
NHIOICDCP-48	Chicago Plenum	800-1000lm / 14W
NHRIOIC-48	ICAT Remodel	800-1000lm / 14W
NHIOICD-415	ICAT New Construction	1500lm / 20W
NHIOICDCP-415	Chicago Plenum	1500lm / 20W
NHIOICD-420	ICAT New Construction	2000lm / 24W
NHIOICDCP-420	Chicago Plenum	2000lm / 24W

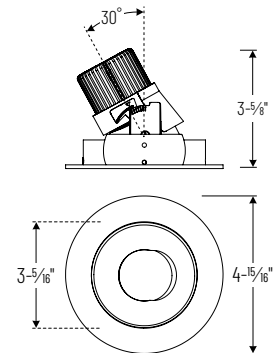
Accessories: Luminaires will accommodate (1) hex louver and (1) translucent deco collar or opaque snoot, no accessory holder is required, see accessories page. Flush mount mud ring is available to give the appearance of a trimless reflector, compatible with new construction housing only.

LABELS AND LISTINGS

- cULus Listed for Damp Locations
- [5-Year Limited Warranty](#)
- RoHS Compliant
- Certified to the high efficacy requirements of California Title 24 JA8-2022



PRODUCT IMAGES & DIMENSIONS



NIO-4RSLA

Round Adjustable Slot Aperture

Adjustability:

New Construction: 30° (800-1000lm) / 25° (1500-2000lm)

Remodel: 25° (800-1000lm)



BMPW

Black Reflector
Matte Powder White Flange



MPW

Matte Powder White Reflector
Matte Powder White Flange

4" Iolite Round Adjustable Slot - Dedicated Housing Required

Color Temperature	Finish	Lumens / Wattage
NIO-4RSLA50X = 5000K*	BMPW = Black / Matte Powder White	(blank) = 800lm / 14W
NIO-4RSLCDX = Comfort Dim [†]	MPW = Matte Powder White	
NIO-4RSL27X = 2700K		/10 = 1000lm / 14W
NIO-4RSL30X = 3000K		/HL = 1500-2000lm
NIO-4RSL35X = 3500K		(varies by housing)
NIO-4RSL40X = 4000K		
NIO-4RSL50X = 5000K		
NIO-4RSLCDX = Comfort Dim [†]		

* 5000K LED modules in 800lm are while supplies last

[†] Comfort Dim available in 800lm only and 1" Iolite uses a different dimming curve than 2" & 4" Iolite

Compatible Housings

Housing Type
NHIOICD-48 = ICAT New Construction / 800-1000lm / 14W
NHIOICDCP-48 = Chicago Plenum / 800-1000lm / 14W
NHRIOIC-48 = ICAT Remodel / 800-1000lm / 14W
NHIOICD-415 = ICAT New Construction / 1500lm / 20W
NHIOICDCP-415 = Chicago Plenum / 1500lm / 20W
NHIOICD-420 = ICAT New Construction / 2000lm / 24W
NHIOICDCP-420 = Chicago Plenum / 2000lm / 24W

Example: **NIO-4RSLA50XBMPW** = 4" Iolite Round Adjustable Slot, 5000K, Black Reflector / Matte Powder White finish, 800lm

4" Iolite Accessories

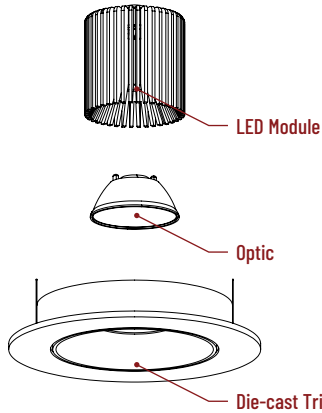
4" Iolite Round Adjustable Slot

Type
Project
Catalog No.
Notes

FIELD CHANGEABLE OPTICS

Iolite luminaires include spot, narrow flood and flood optics. Optics can be changed in the field by removing LED module from die-cast trim. Optional frosted and TIR optics are also available.

Note: Frosted and Premium TIR optics are not compatible with /HL LED modules.



Frosted Optics

NIO-REFL38FR 60° Optic
NIO-REFL60FR 73° Optic
Not compatible with /HL LED module.

Premium TIR Optics

NIO-REFLTIR15 22° Optic
NIO-REFLTIR25 26° Optic
Not compatible with /HL, Comfort Dim (CDX) LED modules or Hex Cell Louver.

10° TIR Optic Assembly

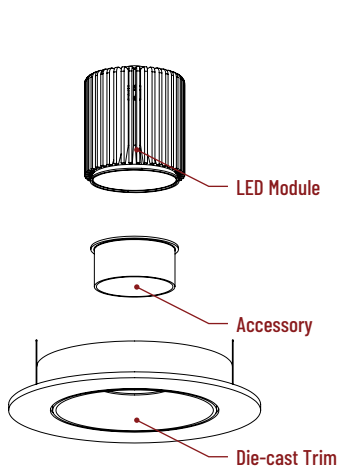
Specialized narrow spot LED module assembly is also available. Requires LE4 housing. [Click Here](#) for more information.



ACCESSORIES

Iolite accessories can be added at any point in the design process. Accessories easily install between LED module and die-cast trim.

Luminaire will accommodate (1) hex louver and (1) collar accessory, no accessory holder required.



Translucent Decorative Collar

NIO-AS14(color) 5/8" length
NIO-AS19(color) 3/4" length
NIO-AS26(color) 1" length
Color: AM (amber), BLU (blue), FR (frosted), R (red)

Translucent collars color the aperture with the specified color while producing white general light. Collars are available in different lengths. Use to add interest, create a theme, match a theme or define a space.

Opaque Collar Snoot

NIO-AS14(color) 5/8" length
NIO-AS19(color) 3/4" length
NIO-AS26(color) 1" length
Color: MPW (matte powder white), WH (white)

Opaque snoot greatly reduces aperture brightness while preserving light output.

Hex Cell Louver

NIO-HC Black
 Hex cell louver subtly reduces aperture brightness by reducing light output by about 20%.

Hex cell louver is not compatible with TIR optics.

FLUSH MOUNT

4" Iolite trims can be installed flush with the drywall for a flush mount appearance. A flush mount mud ring is installed after the drywall and a professional drywall finisher floats the ceiling to blend in the mud ring.

Flush Mount Mud Ring

NIO-FMMR-4R Round Mud Ring

Mounts reflector flush to ceiling with flange visible. Mud ring attaches to drywall. **Only for use with NH10ICD-48 or NH10ICDCP-48 new construction housings and NIO-4R trims.** Dimensions: 7-7/8" diameter 1/2" thick



PHOTOMETRICS

4" Iolite Round Adjustable Slot
1000 lumens

Type

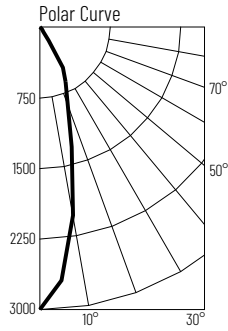
Project

Catalog No.

Notes

Test Information

Test Number: NTR2652R1
Part Number: NI0-4RSLA40XMPW/10
Beam Spread: 27° Spot
Lumens: 1132lm
Wattage: 13.84W
Efficacy: 82pw
CCT / CRI: 4000K / 90 CRI
Spacing Criteria (0°-180°): 0.46
Spacing Criteria (90°-270°): 0.48



Illuminance at a Distance

Distance from Luminaire	FC at Nadir	Beam Diameter
4'	187fc	2'
6'	83.3fc	2'-11"
8'	46.9fc	3'-11"
10'	30fc	4'-11"
12'	20.8fc	5'-11"

Zonal Lumen Summary

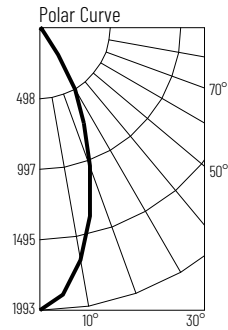
Zone	Lumens	% Luminaire
0-30	919	81.2
0-40	1066	94.1
0-60	1116	98.6
0-90	1132	100
90-180	0	0
0-180	1132	100

Candela Table

Vertical Angles	Candela
0	3000
5	2698
15	1316
25	645
35	171
45	44

Test Information

Test Number: NTR2629R1
Part Number: NI0-4RSLA40XMPW/10
Beam Spread: 41° Narrow Flood
Lumens: 1107lm
Wattage: 13.84W
Efficacy: 80pw
CCT / CRI: 4000K / 90 CRI
Spacing Criteria (0°-180°): 0.66
Spacing Criteria (90°-270°): 0.66



Illuminance at a Distance

Distance from Luminaire	FC at Nadir	Beam Diameter
4'	125fc	3'
6'	55.4fc	4'-6"
8'	31.1fc	6'-1"
10'	19.9fc	7'-7"
12'	13.8fc	9'-1"

Zonal Lumen Summary

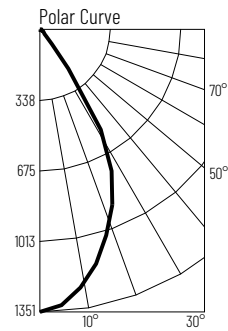
Zone	Lumens	% Luminaire
0-30	894	80.7
0-40	1041	94
0-60	1089	98.4
0-90	1107	100
90-180	0	0
0-180	1107	100

Candela Table

Vertical Angles	Candela
0	1993
5	1890
15	1373
25	741
35	229
45	42

Test Information

Test Number: NTR2627R1
Part Number: NI0-4RSLA40XMPW/10
Beam Spread: 57° Flood
Lumens: 1090lm
Wattage: 13.83W
Efficacy: 79pw
CCT / CRI: 4000K / 90 CRI
Spacing Criteria (0°-180°): 0.88
Spacing Criteria (90°-270°): 0.86



Illuminance at a Distance

Distance from Luminaire	FC at Nadir	Beam Diameter
4'	84.4fc	4'-5"
6'	37.5fc	6'-7"
8'	21.1fc	8'-10"
10'	13.5fc	11'
12'	9.4fc	13'-4"

Zonal Lumen Summary

Zone	Lumens	% Luminaire
0-30	699	64.1
0-40	960	88.1
0-60	1067	97.9
0-90	1090	100
90-180	0	0
0-180	1090	100

Candela Table

Vertical Angles	Candela
0	1351
5	1314
15	1113
25	825
35	306
45	49

Lumen Output Multipliers

Color Temperature: 2700K (0.82), 3000K (0.84), 3500K (0.92), 4000K (1.00), 5000K (0.97)