

NPRLV-56RSLA

5"/6" Pearl 12VAC Low Voltage LED Adjustable Slot Retrofit

Source: 11W LED
1050lm

Type

Project

Catalog No.

Notes

PRODUCT DESCRIPTION

5"/6" Pearl low voltage retrofit series is cULus classified for use in existing IC or Non-IC housings manufactured by Nora and others. The 5"/6" retrofit luminaires deliver over 1050 lumens with a regressed cone construction, which optimizes visual cut-off and adjust up to 30°.

FEATURES

- Comfort Dim (warm dimming) is available in 650lm only
- 2700K, 3000K, 3500K, 4000K @ 90+ CRI
- Field changeable optics included (Spot, Narrow Flood and Flood - installed)
- Integral dimmable driver
- 5-year limited warranty
- cULus classified for wet locations

SPECIFICATION

Construction: Trims are constructed of heat dissipating, die-cast aluminum. The aluminum die-cast LED heat sink is threaded to fit the trim and transfer heat.

Mounting: Luminaire includes friction blades to mount securely to housing.

OPTICS

Three field changeable optics (spot, narrow flood and flood) are included with each LED module. Premium 22° and 26° TIR optics are also available.

ELECTRICAL

Input Voltage: 12VAC 60Hz

Socket: GU5.3

Lumens / Wattage: 1050lm / 11W (650lm w/ Comfort Dim)

Color Temperature: 2700K, 3000K, 3500K, 4000K

Color Rendering Index: 90+ CRI

Beam Spread: 27° Spot, 41° Narrow Flood, 57° Flood

Operating Temperature: 0°C to 25°C

Lifetime: 50,000 hours @ L70

Comfort Dim: Comfort Dim color tunes the temperature from a bright 3100K, to a romantic and comfortable 2000K on a gradual, even curve. Available in 650lm only.

Dimming: Triac (leading edge) or ELV (trailing edge)

[Click Here](#) or check complete dimmer list at www.NoraLighting.com in the "Compatibility" page under "Resources" tab

COMPATIBLE HOUSINGS

Pearl retrofits are compatible with 6" IC and Non-IC housings by Nora and others.

[NLIC-601](#) 6" IC Air-Tight Double Wall New Construction

[NL-601](#) 6" Non-IC New Construction

[NLR-604](#) 6" Non-IC Remodel

Accessories: Luminaires can accommodate (1) hex louver and (1) translucent deco collar or opaque snoot, no accessory holder is required, see page 2.

LABELS AND LISTINGS

- cULus classified for Wet Locations
- RoHS compliant
- [5-Year Limited Warranty](#)
- Certified to the high efficacy requirements of California Title 24 JA8-2022



5"/6" Pearl 12VAC Low Voltage LED Adjustable Slot Retrofit

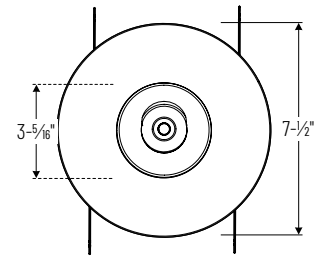
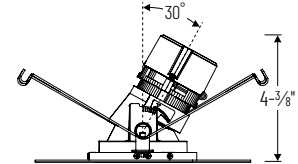
Color Temperature	Finish
NPRLV-56RSLA27X = 2700K	BMPW = Black Reflector / Matte Powder White Flange
NPRLV-56RSLA30X = 3000K	MPW = Matte Powder White Reflector & Flange
NPRLV-56RSLA35X = 3500K	
NPRLV-56RSLA40X = 4000K	
NPRLV-56RSLACDX = Comfort Dim	

Performance Data

Part Number	Lumens	CCT	Optic
NPRLV-56RSLA40XWW	1058lm	4000K	Spot
NPRLV-56RSLA40XWW	1008lm	4000K	Narrow
NPRLV-56RSLA40XWW	983lm	4000K	Flood

Delivered lumens will vary depending on CCT, optic and finish

PRODUCT IMAGES & DIMENSIONS



BMPW
Black Reflector
Matte Powder White Flange



MPW
Matte Powder White Reflector
Matte Powder White Flange

Example: NPRLV-56RSLA27XWW = 6" Pearl 12VAC Low Voltage LED Adjustable Slot Retrofit, 2700K, White finish

Pearl Accessories

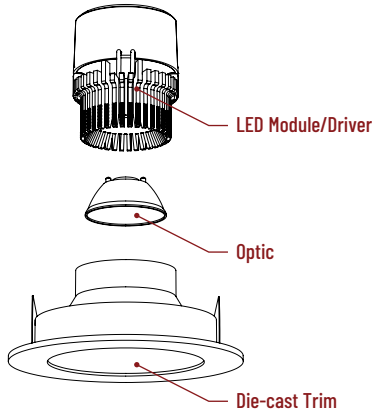
6" Pearl 12VAC Low Voltage LED Adjustable Slot Retrofit

Type
Project
Catalog No.
Notes

FIELD CHANGEABLE OPTICS

Pearl luminaires include spot, narrow flood and flood optics. Optics can be changed in the field by removing LED module from die-cast trim. Optional frosted and TIR optics are also available.

Note: Premium TIR optics are not compatible with Comfort Dim LED modules.



Frosted Optics

NIO-REFL38FR 60° Optic
NIO-REFL60FR 73° Optic

Replaces optics that are included with each LED module.



Premium TIR Optics

NIO-REFLTIR15 22° Optic
NIO-REFLTIR25 26° Optic

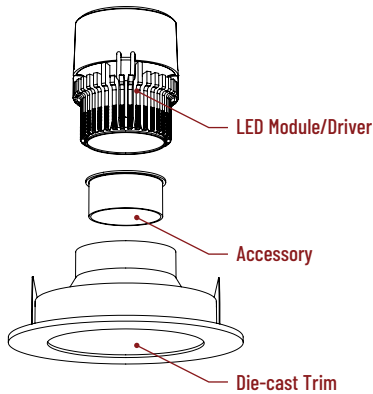
Premium TIR (total internal reflection) optics create optimal spot and narrow flood beam spread.

Not compatible with Comfort Dim (CDX) LED module

ACCESSORIES

Pearl accessories can be added at any point in the design process. Accessories easily install between LED module and die-cast trim.

Luminaire will accommodate (1) hex louver and (1) collar accessory, no accessory holder required.



Translucent Decorative Collar

NIO-AS14(color) 5/8" length
NIO-AS19(color) 3/4" length
NIO-AS26(color) 1" length
Color:
AM (amber), **BLU** (blue), **FR** (frosted), **R** (red)

Translucent collars color the aperture with the specified color while producing white general light. Collars are available in different lengths. Use to add interest, create a theme, match a theme or define a space.



Opaque Collar Snoot

NIO-AS14(color) 5/8" length
NIO-AS19(color) 3/4" length
NIO-AS26(color) 1" length
Color:
MPW (matte powder white), **WH** (white)

Opaque snoot greatly reduces aperture brightness while preserving light output.



Hex Cell Louver

NIO-HC Black
 Hex cell louver subtly reduces aperture brightness by reducing light output by about 20%.

Hex cell louver is not compatible with TIR optics.

PHOTOMETRICS

5'7/6" Pearl 12VAC Low Voltage LED Round Adjustable Slot Retrofit

Type

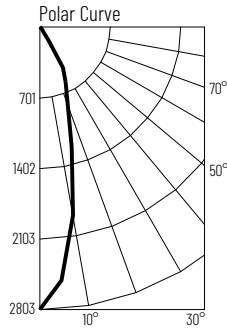
Project

Catalog No.

Notes

Test Information

Test Number: NTR2642R1
 Part Number: NPRLV-56RSLA40XWW
 Beam Spread: 27° Spot
 Lumens: 1058lm
 Wattage: 12.05W
 Efficacy: 88pw
 CCT / CRI: 4000K / 90 CRI
 Spacing Criteria (0°-180°): 0.46
 Spacing Criteria (90°-270°): 0.48



Illuminance at a Distance

Distance from Luminaire	FC at Nadir	Beam Diameter
4'	175fc	2'
6'	77.9fc	2'-11"
8'	43.8fc	3'-11"
10'	28fc	4'-11"
12'	19.5fc	5'-11"

Zonal Lumen Summary

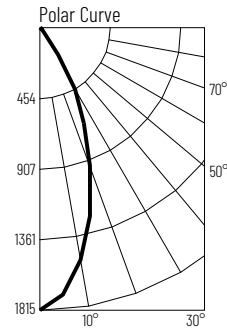
Zone	Lumens	% Luminaire
0-30	859	81.2
0-40	996	94.1
0-60	1042	98.6
0-90	1058	100
90-180	0	0
0-180	1058	100

Candela Table

Vertical Angles	Candela
0	2803
5	2521
15	1229
25	602
35	160
45	41

Test Information

Test Number: NTR2637R1
 Part Number: NPRLV-56RSLA40XWW
 Beam Spread: 41° Narrow Flood
 Lumens: 1008lm
 Wattage: 12.07W
 Efficacy: 84pw
 CCT / CRI: 4000K / 90 CRI
 Spacing Criteria (0°-180°): 0.66
 Spacing Criteria (90°-270°): 0.66



Illuminance at a Distance

Distance from Luminaire	FC at Nadir	Beam Diameter
4'	113fc	3'
6'	50.4fc	4'-6"
8'	28.4fc	6'-1"
10'	18.1fc	7'-7"
12'	12.6fc	9'-1"

Zonal Lumen Summary

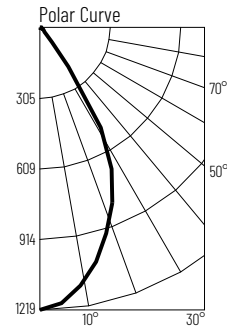
Zone	Lumens	% Luminaire
0-30	814	80.7
0-40	948	94
0-60	992	98.4
0-90	1008	100
90-180	0	0
0-180	1008	100

Candela Table

Vertical Angles	Candela
0	1815
5	1721
15	1250
25	675
35	209
45	38

Test Information

Test Number: NTR2638R1
 Part Number: NPRLV-56RSLA40XWW
 Beam Spread: 57° Flood
 Lumens: 983lm
 Wattage: 12.04W
 Efficacy: 82pw
 CCT / CRI: 4000K / 90 CRI
 Spacing Criteria (0°-180°): 0.88
 Spacing Criteria (90°-270°): 0.86



Illuminance at a Distance

Distance from Luminaire	FC at Nadir	Beam Diameter
4'	76.2fc	4'-5"
6'	33.9fc	6'-7"
8'	19fc	8'-10"
10'	12.2fc	11'
12'	8.5fc	13'-4"

Zonal Lumen Summary

Zone	Lumens	% Luminaire
0-30	630	64.1
0-40	866	88.1
0-60	962	97.9
0-90	983	100
90-180	0	0
0-180	983	100

Candela Table

Vertical Angles	Candela
0	1219
5	1186
15	1004
25	745
35	276
45	44