

NRMC-6S11 / NRMC-6S12

6" Marquise I Sloped Retrofit Reflectors

Source: 10.5W LED
850lm

Type

Project

Catalog No.

Notes

PRODUCT DESCRIPTION

Marquise I Slope Reflectors includes Cree® COB LEDs with optimized beam spreads, an Unitized Thermal Management (UTM) system and outboard mounted driver allows for cooler operation. Slope application.

FEATURES

- Retrofit existing architectural or commercial frame-ins with the latest LED technology
- Over 80% energy savings when compared to incandescent
- Cree TrueWhite® LED Technology
- 5-year Limited Warranty

CONSTRUCTION

Trim: Aluminum spun reflector with deep set diffused lens for excellent visual comfort while providing high lumen output.

Mounting: Trim includes friction blades to mount trim securely to housing.

Retrofit: Marquise retrofit series includes medium base screw-socket adapter (NRA-211SM) for retrofitting into existing medium base downlight housings. GU24 socket adapter is available for use with GU24 housings, must specify NRA-212SM.

ELECTRICAL

Lumens / Wattage: 850lm / 10.5W

Color Temperature: 3500K

Color Rendering Index: 90+CRI

Operating Temperature: 0°C to 45°C

Dimming: Triac / ELV down to 10%

[Click Here](#) or check complete dimmer list at www.NoraLighting.com in the "Compatibility" page under "Resources" tab

COMPATIBLE HOUSINGS

Marquise Slope Retrofit reflectors are compatible with most 6" IC and Non-IC slope housings by Nora and others. Consult factory for existing slope housing.

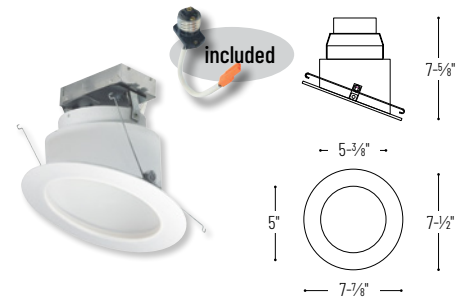
CATALOG NO.	DESCRIPTION
NHIC-926LMRAT	6" ICAT New Construction
NHIC-926DWOAT	6" ICAT Line Voltage New Construction
NHIC-926QAT	6" ICAT Line Voltage New Construction
NHRIC-926LMRAT	6" ICAT Remodel
NHRIC-926QAT	6" ICAT Line Voltage Remodel

LABELS AND LISTINGS

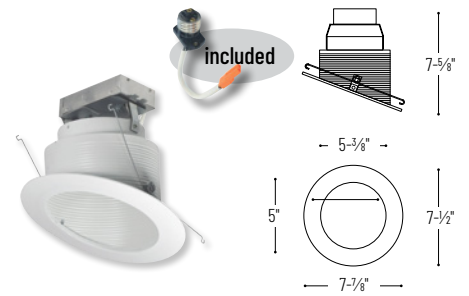
- cULus classified for Damp Location when used with compatible housing
- ENERGY STAR® certified
- Certified to the high efficacy requirements of California Title 24 JA8-2019
- [5-Year Limited Warranty](#)
- Meets ASTM-E283 Air-Tight requirements



PRODUCT IMAGES AND DIMENSIONS



NRMC-6S11
Sloped Reflector



NRMC-6S12
Sloped Baffle

6" Marquise I Sloped Retrofit Reflectors

Reflector Type	Lumens / Wattage	Color Temperature	Finish
NRMC-6S11 = Slope Reflector	L85 = 850lm / 10.5W	35 = 3500K	B = Black / White Flange
NRMC-6S12 = Slope Baffle			W = White / White Flange

Example: **NRMC-6S11B535W** = 6" Marquise I Sloped Retrofit Reflector, 850lm / 10.5W LED, 3500K, White finish