

Installation Instructions

NC2-6

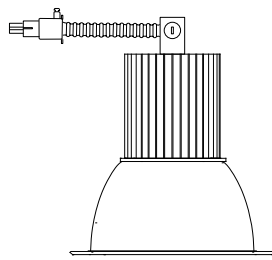
6" Sapphire II High Lumen Reflectors

READ PRIOR TO ATTEMPTING INSTALLATION
ALWAYS TURN OFF MAIN POWER BEFORE INSTALLATION
INSTALLATION SHOULD BE CARRIED OUT BY YOUR LOCAL ELECTRICIAN

- ⚠ WARNING** - Risk of fire or electric shock. LED installation kit requires knowledge of luminaire electrical systems. If not qualified, do not attempt installation. Contact a qualified electrician.
- ⚠ WARNING** - Risk of fire or electric shock. Install this kit only in luminaires that have the construction features and dimensions shown in the photographs and / or drawings and where the input rating does not exceed the input rating of the luminaire.
- ⚠ WARNING** - To prevent wiring damage or abrasion, do not expose wiring to edges of sheet metal or other sharp objects.
- ⚠ WARNING** - This equipment is intended to be installed only by qualified personnel. The installation must be made in accordance with the current edition to the National Electric Code and all applicable state and local building codes. The final installation must be approved by the appropriate qualified electrical/building inspector(s). Improper installation may result in a fire or electrical hazard. Be sure the electrical power to the circuit has been disconnected before installing this electrical system.
- ⚠ AVERTISSEMENT** - Cet équipement est destiné à être installé uniquement par du personnel qualifié. L'installation doit être faite en conformité avec l'édition actuelle du Code national de l'électricité et toutes étatiques et locales codes du bâtiment applicables. L'installation finale doit être approuvée par l'inspecteur en électricité / bâtiment qualifié approprié(s). Une mauvaise installation peut entraîner un incendie ou un risque électrique. Soyez sûr de la puissance électrique vers le circuit a été coupée avant l'installation de ce système électrique.



PACKAGING CONTENTS



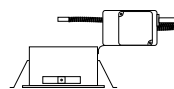
Sapphire II Reflector



(3) Reflector Clips

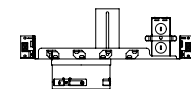


HOUSING DIMENSIONS



Remodel Frame-In

	6"
Height	8-3/4"
Width	7"
Length	11-1/4"



New Construction Frame-In

	6"
Height	8-1/4" Max
Width	9"
Length	12-5/8"

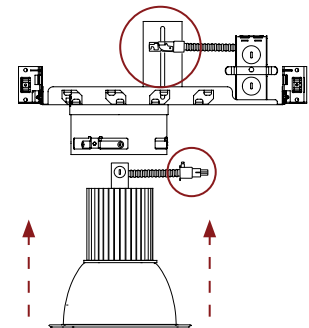
Install this kit only in luminaires that have the construction features and dimensions described in these instructions, and where the input rating of the kit does not exceed the input rating of the luminaire.

Safety tests were conducted in minimum housing dimension specified. Luminaire malfunction and overheating may occur if installed into a smaller housing.

INSTALLATION INSTRUCTIONS

1. Connect orange female connector to male connector of the fixture to frame-in.
2. Secure aircraft cable on the heatsink to the housing.
3. Push the reflector into the plaster frame opening until the reflector is flush with the ceiling.

⚠ IMPORTANT: Connector is not intended to support weight of the fixture. Please support fixture at all times.

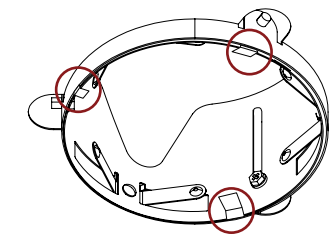
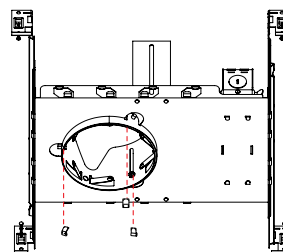


INSTALL REFLECTOR CLIPS

1. Install the reflector clips (see chart) onto the edge of the ceiling collar with the clips pointing toward the center of the opening.
2. The clips should be spaced 120° apart.

Finish	Clips
NC2-6BSF	3
NC2-6BWSF	
NC2-6WSF	

Finish	Clips
NC2-6CSF	1
NC2-6DSF	
NC2-6DWSF	
NC2-6HSF	
NC2-6HWSF	
NC2-6DBSF	
NC2-6HBSF	



Make sure reflector clips securely hold inside ring