

NIO-1SNB

1" Iolite NTF Square Bullnose

Source: 9W or 10W LED
600lm

Type

Project

Catalog No.

Notes

PRODUCT DESCRIPTION

1" Iolite NTF downlights can be specified for use with Iolite new construction housings. Bullnose trim with a filleted aperture which allows for minimal aperture brightness while still producing the nadir footcandles.

FEATURES

- 600lm / 9W or 10W
- 2700K, 3000K, 3500K, 4000K, 5000K @ 90+ CRI
- Comfort Dim (warm dimming) also available
- Flood optic, narrow flood and spot optics (included)
- 5-Year limited warranty

SPECIFICATION

Construction: Trims are constructed of heat dissipating, die-cast aluminum. The aluminum die-cast LED heat sink is threaded to fit the trim and transfer heat.

Mounting: Luminaire includes friction blades to mount securely to housing.

Field Changeable Optics: Three field changeable optics (spot, narrow flood and flood) are included with each LED module.

ELECTRICAL

Lumens / Wattage: 600lm / wattage varies by housing (9W / LE3 or 10W / LE4)

Color Temperature: 2700K, 3000K, 3500K, 4000K, 5000K

Color Rendering Index: 90+ CRI

Operating Temperature: 0°C to 40°C

Lifetime: 50,000 hours @ L70

Comfort Dim: Comfort Dim color tunes the temperature from a bright 3000K, to a romantic and comfortable 1900K on a gradual, even curve.

Dimming: Specified by housing

COMPATIBLE HOUSINGS

Luminaires are compatible with respective Iolite housings manufactured by Nora Lighting.

CATALOG NO.	DESCRIPTION	LUMENS / WATTAGE
NHIOICD-16LE3	ICAT New Construction, 120V; Triac/ELV	600lm / 9W
NHIOICD-16LE4	ICAT New Construction, 120-277V; Triac/ELV/0-10V	600lm / 10W
NHIOICDCP-16LE3	Chicago Plenum, 120V; Triac/ELV	600lm / 9W
NHIOICDCP-16LE4	Chicago Plenum, 120-277V; Triac/ELV/0-10V	600lm / 10W

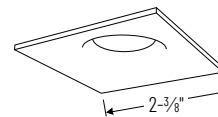
Accessories: Luminaires will accommodate (1) hex louver and (1) translucent deco collar or opaque snoot, no accessory holder is required, see accessories page.

LABELS AND LISTINGS

- cULus Listed for Wet Locations
- [5-Year Limited Warranty](#)
- RoHS Compliant
- Certified to the high efficacy requirements of California Title 24 JA8-2022



PRODUCT IMAGES & DIMENSIONS



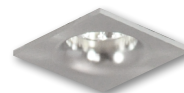
NIO-1SNB
Square Bullnose
Non-Adjustable



BZ
Bronze



MPW
Matte Powder White



NN
Natural Metal



WW
White

1" Iolite NTF Square Bullnose - Dedicated New Construction Required

Color Temperature	Finish
NIO-1SNB27X = 2700K	BZ = Bronze
NIO-1SNB30X = 3000K	MPW = Matte Powder White
NIO-1SNB35X = 3500K	NN = Natural Metal
NIO-1SNB40X = 4000K	WW = White
NIO-1SNB50X = 5000K	
NIO-1SNBCDX = Comfort Dim (3000K-1900K) [†]	

[†] 1" Comfort Dim uses a different dimming curve than 2" & 4" Comfort Dim

Compatible Housings

Housing Type
NHIOICD-16LE3 = ICAT New Construction / Triac/ELV / 600lm / 9W
NHIOICD-16LE4 = ICAT New Const. / Triac/ELV/0-10V / 600lm / 10W
NHIOICDCP-16LE3 = Chicago Plenum / Triac/ELV / 600lm / 9W
NHIOICDCP-16LE4 = Chicago Plenum / Triac/ELV/0-10V / 600lm / 10W

Example: **NIO-1SNB27XWW** = 1" Iolite NTF Square Bullnose, 2700K, White finish, 600lm

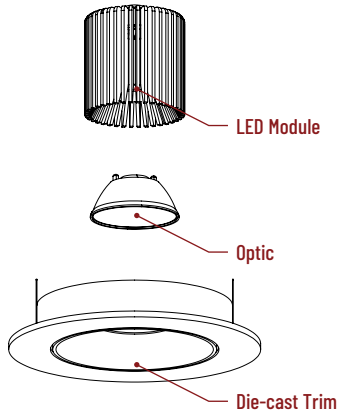
1" Iolite Accessories

1" Iolite NTF Square Bullnose

Type	
Project	
Catalog No.	
Notes	

FIELD CHANGEABLE OPTICS

Iolite luminaires include spot, narrow flood and flood optics. Optics can be changed in the field by removing LED module from die-cast trim. Optional frosted optics are available.



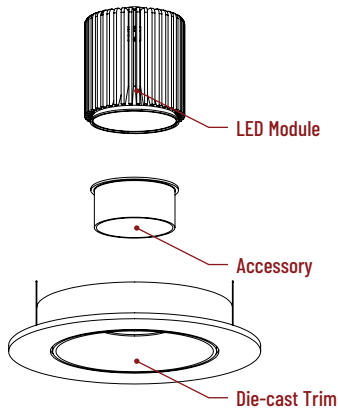
Frosted Optics

NIO-IREFL20FR
NIO-IREFL60FR

40° Optic
60° Optic

ACCESSORIES

Iolite accessories can be added at any point in the design process. Accessories easily install between LED module and die-cast trim. Luminaire will accommodate (1) hex louver and (1) collar accessory, no accessory holder required.



Translucent Decorative Collar

NIO-1AS15(color) 5/8" length
NIO-1AS19(color) 3/4" length
NIO-1AS24(color) 1" length
Color:
AM (amber), BLU (blue), FR (frosted), R (red)

Translucent collars color the aperture with the specified color while producing white general light. Collars are available in different lengths. Use to add interest, create a theme, match a theme or define a space.



Opaque Collar Snoot

NIO-1AS15(color) 5/8" length
NIO-1AS19(color) 3/4" length
NIO-1AS24(color) 1" length
Color:
MPW (matte powder white), WH (white)

Opaque snoot greatly reduces aperture brightness while preserving light output.



Hex Cell Louver

NIO-1HC Black
Hex cell louver subtly reduces aperture brightness by reducing light output by about 20%.

PHOTOMETRICS

1" Iolite NTF Square Bullnose
600 lumens

Type

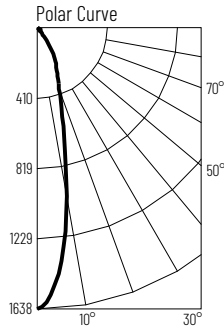
Project

Catalog No.

Notes

Test Information

Test Number: NTR11209
Part Number: N10-1SNB27MPW
Beam Spread: 24° Spot
Lumens: 564lm
Wattage: 9.38W
Efficacy: 60lpw
CCT / CRI: 2700K / 90 CRI
Spacing Criteria (0°-180°): 0.42
Spacing Criteria (90°-270°): 0.42



Illuminance at a Distance

Distance from Luminaire	FC at Nadir	Beam Diameter
4'	102fc	1'-8"
6'	45.5fc	2'-6"
8'	25.6fc	3'-5"
10'	16.4fc	4'-2"
12'	11.4fc	5'-1"

Zonal Lumen Summary

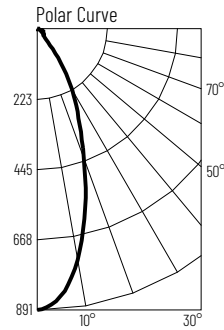
Zone	Lumens	% Luminaire
0-30	420	74.5
0-40	499	88.4
0-60	542	96
0-90	563	99.8
90-180	1	0.2
0-180	565	100

Candela Table

Vertical Angles	Candela
0	1638
5	1438
15	594
25	275
35	127
45	29

Test Information

Test Number: NTR11224
Part Number: N10-1SNB27MPW
Beam Spread: 39° Narrow Flood
Lumens: 545lm
Wattage: 9.32W
Efficacy: 58lpw
CCT / CRI: 2700K / 90 CRI
Spacing Criteria (0°-180°): 0.64
Spacing Criteria (90°-270°): 0.64



Illuminance at a Distance

Distance from Luminaire	FC at Nadir	Beam Diameter
4'	55.7fc	2'-11"
6'	24.7fc	4'-4"
8'	13.9fc	5'-8"
10'	8.9fc	7'-1"
12'	6.2fc	8'-7"

Zonal Lumen Summary

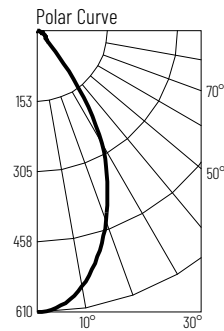
Zone	Lumens	% Luminaire
0-30	387	71
0-40	469	86
0-60	516	94.7
0-90	544	99.8
90-180	1	0.2
0-180	545	100

Candela Table

Vertical Angles	Candela
0	891
5	852
15	590
25	312
35	132
45	29

Test Information

Test Number: NTR11240
Part Number: N10-1SNB27MPW
Beam Spread: 57° Flood
Lumens: 547lm
Wattage: 9.33W
Efficacy: 59lpw
CCT / CRI: 2700K / 90 CRI
Spacing Criteria (0°-180°): 0.86
Spacing Criteria (90°-270°): 0.86



Illuminance at a Distance

Distance from Luminaire	FC at Nadir	Beam Diameter
4'	38.1fc	4'-5"
6'	16.9fc	6'-6"
8'	9.5fc	8'-8"
10'	6.1fc	10'-11"
12'	4.2fc	13'-1"

Zonal Lumen Summary

Zone	Lumens	% Luminaire
0-30	362	66.2
0-40	470	85.9
0-60	520	95
0-90	546	99.8
90-180	1	0.2
0-180	547	100

Candela Table

Vertical Angles	Candela
0	610
5	597
15	508
25	360
35	175
45	33

Lumen Output Multipliers

Color Temperature: 2700K (1.00), 3000K (1.11), 3500K (1.12), 4000K (1.11), 5000K (1.14)