

NL-4840

4" Square Trim with 1" Round Pinhole

Type

Project

Catalog No.

Notes

FEATURES

Trim: Square metal trim with 1" pinhole. Gimbal ring allows lamp to be mounted on top of the trim and adjustable up to 35°.

Mounting: Trim includes three trim clips that securely mount trim in housing.

COMPATIBLE HOUSINGS

Compatible with Line Voltage and Low Voltage housings. See individual specification sheets for more information.

COMPATIBLE LAMP / HOUSINGS

Low Voltage:

20W MR16 max. (NL-401QAT/20; NLIC-401QSAT/20; NLR-404QAT/20; NLR-405AT/20; NLIC-402SAT/20; NL-402S/20; NLR-403S/20)

37W MR16 max. (NL-401QAT/37; NLIC-401QSAT/37; NLR-404QAT/37; NLR-405AT/37; NLIC-402QSAT/37; NL-402S/37; NLR-403S/37)

50W MR16 max. (NLIC-401AT/1EL; NLIC-401AT/2EL; NLIC-401QSAT; NL-401AT/1EL; NL-401AT/2EL; NL-401QAT; NLR-404AT/1EL; NLR-404AT/2EL; NLR-404QAT; NLR-405AT; NLIC-402AT/1EL; NLIC-402QSAT; NL-402S/1EL; NL-402S; NLR-403S/1EL; NLR-403S)

Line Voltage:

20W MR16 max. (NSEIC-407AT/20; NSERIC-407AT/20)

25W MR16 max. (NFBIC-401AT/25A)

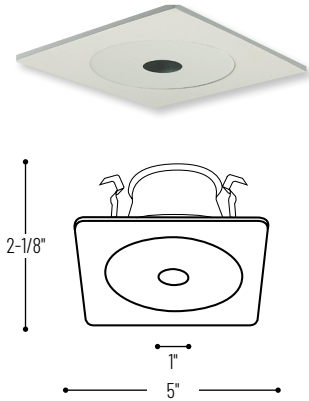
50W MR16 GU10 max. (NSL-401AT/10; NSLIC-401AT/10; NSLR-404AT/10)

LABELS AND LISTINGS

cULus Listed for Damp Location when used with compatible housing.



Product Image and Dimensions



Compatible Housings

Catalog No.

Low Voltage

NLIC-401QSAT/20 = ICAT New Construction / 120V Magnetic / 20W

NLIC-401QSAT/37 = ICAT New Construction / 120V Magnetic / 37W

NLIC-401QSAT = ICAT New Construction / 120V Magnetic / 50W

NLIC-401AT/1EL = ICAT New Construction / 120V Electronic / 50W

NLIC-401AT/2EL = ICAT New Construction / 120V Electronic / 50W

NL-401QAT/20 = Non-IC AT New Construction / 120V Magnetic / 20W

NL-401QAT/37 = Non-IC AT New Construction / 120V Magnetic / 37W

NL-401QAT = Non-IC AT New Construction / 120V Magnetic / 50W

NL-401AT/1EL = Non-IC AT New Construction / 120V Electronic / 50W

NL-401AT/2EL = Non-IC AT New Construction / 277V Electronic / 50W

NLIC-402QSAT/20 = ICAT Shallow New Construction / 120V Magnetic / 20W

NLIC-402QSAT/37 = ICAT Shallow New Construction / 120V Magnetic / 37W

NLIC-402QSAT = ICAT Shallow New Construction / 120V Magnetic / 50W

NLIC-402AT/1EL = ICAT Shallow New Construction / 120V Electronic / 50W

NL-402S/20 = Non-IC Shallow New Construction / 120V Magnetic / 20W

NL-402S/37 = Non-IC Shallow New Construction / 120V Magnetic / 37W

NL-402S = Non-IC Shallow New Construction / 120V Magnetic / 50W

NL-402S/1EL = Non-IC Shallow New Construction / 120V Electronic / 50W

NLR-403S/20 = Non-IC Shallow Remodel / 120V Magnetic / 20W

NLR-403S/37 = Non-IC Shallow Remodel / 120V Magnetic / 37W

NLR-403S = Non-IC Shallow Remodel / 120V Magnetic / 50W

NLR-403S/1EL = Non-IC Shallow Remodel / 120V Electronic / 50W

NLR-404QAT/20 = Non-IC AT Remodel / 120V Magnetic / 20W

NLR-404QAT/37 = Non-IC AT Remodel / 120V Magnetic / 37W

NLR-404QAT = Non-IC AT Remodel / 120V Magnetic / 50W

NLR-404AT/1EL = Non-IC AT Remodel / 120V Electronic / 50W

NLR-404AT/2EL = Non-IC AT Remodel / 277V Electronic / 50W

NLR-405AT/20 = Non-IC AT Remodel / No Transformer / 20W

NLR-405AT/37 = Non-IC AT Remodel / No Transformer / 37W

NLR-405AT = Non-IC AT Remodel / No Transformer / 50W

Line Voltage

NSEIC-407AT/20 = ICAT LED New Construction / 20W

NSERIC-407AT/20 = ICAT LED Remodel / 20W

NFBIC-401AT/25A = Fire Rated IC Air-Tight New Construction / 25W

NSLIC-401AT/10 = ICAT New Construction / 50W

NSL-401AT/10 = Non-IC Air-Tight New Construction / 50W

NSLR-404AT/10 = Non-IC Air-Tight Remodel / 50W

4" Square Trim with 1" Round Pinhole

Catalog No.

NL-4840W = Square White Trim

Example: **NL-4840W** = 4" Square White Trim with 1" Round Pinhole