

NL-4870

4" Square Fully Adjustable Elbow

FEATURES

Trim: Metal trim with fully adjustable elbow can be adjusted up 358° horizontally and 70° vertically. Adjustable elbow allows lamp to be front loaded into trim.

Mounting: Trim includes three trim clips that securely mount trim in housing.

COMPATIBLE HOUSINGS

Compatible with Low Voltage housings. See individual specification sheets for more information.

COMPATIBLE LAMP / HOUSINGS

Low Voltage:

20W MR16 max. (NL-401QAT/20; NLIC-401QSAT/20; NLR-404QAT/20; NLR-405AT/20; NLIC-402SAT/20; NL-402S/20; NLR-403S/20)

37W MR16 max. (NL-401QAT/37; NLIC-401QSAT/37; NLR-404QAT/37; NLR-405AT/37; NLIC-402QSAT/37; NL-402S/37; NLR-403S/37)

50W MR16 max. (NLIC-401AT/1EL; NLIC-401AT/2EL; NLIC-401QSAT; NL-401AT/1EL; NL-401AT/2EL; NL-401QAT; NLR-404AT/1EL; NLR-404AT/2EL; NLR-404QAT; NLR-405AT; NLIC-402AT/1EL; NLIC-402QSAT; NL-402S/1EL; NL-402S; NLR-403S/1EL; NLR-403S)

75W MR16 max. (NL-401/75/1EL; NL-401/75/2EL; NL-401/75; NLR-404/75/1EL; NLR-404/75/2EL; NLR-404/75)

LABELS AND LISTINGS

cULus Listed for Damp Location when used with compatible housing.



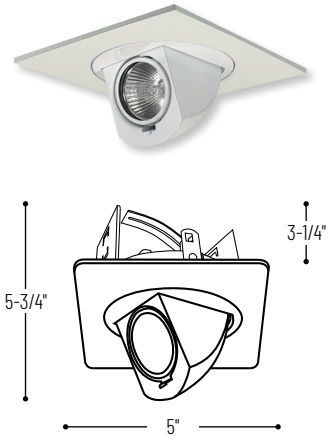
Type

Project

Catalog No.

Notes

Product Image and Dimensions



Compatible Housings

Catalog No.

Low Voltage

NLIC-401QSAT/20 = ICAT New Construction / 120V Magnetic / 20W

NLIC-401QSAT/37 = ICAT New Construction / 120V Magnetic / 37W

NLIC-401QSAT = ICAT New Construction / 120V Magnetic / 50W

NLIC-401AT/1EL = ICAT New Construction / 120V Electronic / 50W

NLIC-401AT/2EL = ICAT New Construction / 120V Electronic / 50W

NL-401QAT/20 = Non-IC AT New Construction / 120V Magnetic / 20W

NL-401QAT/37 = Non-IC AT New Construction / 120V Magnetic / 37W

NL-401QAT = Non-IC AT New Construction / 120V Magnetic / 50W

NL-401/75 = Non-IC New Const. / 120V Magnetic / 75W

NL-401AT/1EL = Non-IC AT New Construction / 120V Electronic / 50W

NL-401AT/2EL = Non-IC AT New Construction / 277V Electronic / 50W

NL-401/75/1EL = Non-IC New Construction / 120V Electronic / 75W

NL-401/75/2EL = Non-IC New Construction / 277V Electronic / 75W

NLIC-402QSAT/20 = ICAT Shallow New Construction / 120V Magnetic / 20W

NLIC-402QSAT/37 = ICAT Shallow New Construction / 120V Magnetic / 37W

NLIC-402QSAT = ICAT Shallow New Construction / 120V Magnetic / 50W

NLIC-402AT/1EL = ICAT Shallow New Construction / 120V Electronic / 50W

NL-402S/20 = Non-IC Shallow New Construction / 120V Magnetic / 20W

NL-402S/37 = Non-IC Shallow New Construction / 120V Magnetic / 37W

NL-402S = Non-IC Shallow New Construction / 120V Magnetic / 50W

NL-402S/1EL = Non-IC Shallow New Construction / 120V Electronic / 50W

NLR-403S/20 = Non-IC Shallow Remodel / 120V Magnetic / 20W

NLR-403S/37 = Non-IC Shallow Remodel / 120V Magnetic / 37W

NLR-403S = Non-IC Shallow Remodel / 120V Magnetic / 50W

NLR-403S/1EL = Non-IC Shallow Remodel / 120V Electronic / 50W

NLR-404QAT/20 = Non-IC AT Remodel / 120V Magnetic / 20W

NLR-404QAT/37 = Non-IC AT Remodel / 120V Magnetic / 37W

NLR-404QAT = Non-IC AT Remodel / 120V Magnetic / 50W

NLR-404/75 = Non-IC Remodel / 120V Magnetic / 75W

NLR-404AT/1EL = Non-IC AT Remodel / 120V Electronic / 50W

NLR-404AT/2EL = Non-IC AT Remodel / 277V Electronic / 50W

NLR-404/75/1EL = Non-IC Remodel / 120V Electronic / 75W

NLR-404/75/2EL = Non-IC Remodel / 277V Electronic / 75W

NLR-405AT/20 = Non-IC AT Remodel / No Transformer / 20W

NLR-405AT/37 = Non-IC AT Remodel / No Transformer / 37W

NLR-405AT = Non-IC AT Remodel / No Transformer / 50W

4" Square Fully Adjustable Elbow

Catalog No.

NL-4870W = Square White Trim

Example: **NL-4870W** = 4" Square White Fully Adjustable Elbow