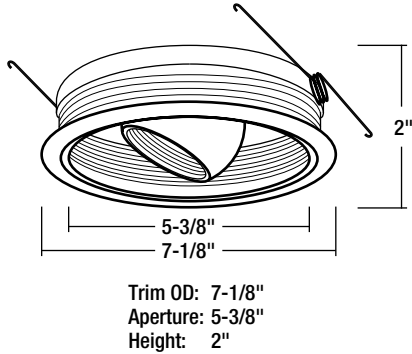


Type
Project
Catalog No.
Lamp/Wattage

**NL-628**  
**Baffle with Regressed Eyeball and Plastic Ring**

**TRIM DIMENSIONS**



**FEATURES**

**Trim**  
 Precision spun metal baffle with deep grooves to reduce aperture glare. Non-reflective painted finishes. Adjustable eyeball can be adjusted up to 20°. Trim may also be used with custom combination of ring finishes.

**Mounting**  
 Trim includes two "V" torsion springs to mount trim securely to housing. Replacement "V" torsion springs are available (NRA-86).

**Compatible Housings**  
 Compatible with Low Voltage housings, Low Voltage retrofit kits, and Line Voltage MR16 GU10 retrofit kits.  
 See individual specification sheets for more information.

**Lamp**  
**Low Voltage**  
 20W-50W 12V MR16 (NLIC-601 Series; NL-601 Series; NLR-604 Series)  
 20W-75W 12V MR16 (NL-601/75 Series; NLR-604/75 Series)  
**Line Voltage Retrofit Kits**  
 50W 120V MR16 GU10 Max. (NRA-34/10; NRA-37/10)  
**Low Voltage Retrofit Kits**  
 20W-50W 12V MR16 (NLK-2600; NLK-2600EL)

**Labels and Listings**  
 cULus Listed for Damp Location when used with compatible housing.

**Compatible Housings**

LOW VOLTAGE		
Item Number	Installation Type	Dimensions
NL-601Q	Non-IC New Construction - 120V Magnetic	W: 7-1/2" L: 12-1/2" H: 7-1/2"
NL-601/277Q	Non-IC New Construction - 277V Magnetic	W: 7-1/2" L: 12-1/2" H: 7-1/2"
NL-601/1EL	Non-IC New Construction - 120V Electronic	W: 7-1/2" L: 12-1/2" H: 7-1/2"
NL-601/2EL	Non-IC New Construction - 277V Electronic	W: 7-1/2" L: 12-1/2" H: 7-1/2"
NL-601/75Q	Non-IC New Construction - 120V Magnetic	W: 7-1/2" L: 12-1/2" H: 7-1/2"
NL-601/277/75Q	Non-IC New Construction - 277V Magnetic	W: 7-1/2" L: 12-1/2" H: 7-1/2"
NL-601/75/1EL	Non-IC New Construction - 120V Electronic	W: 7-1/2" L: 12-1/2" H: 7-1/2"
NL-601/75/2EL	Non-IC New Construction - 277V Electronic	W: 7-1/2" L: 12-1/2" H: 7-1/2"
NLIC-601QAT	IC Air-Tight New Construction - 120V Mag.	W: 9-1/2" L: 13-1/8" H: 7-3/4"
NLIC-601/1EL	IC Air-Tight New Construction - 120V Elec.	W: 9-1/2" L: 13-1/8" H: 7-3/4"
NLIC-601/2EL	IC Air-Tight New Construction - 277V Elec.	W: 9-1/2" L: 13-1/8" H: 7-3/4"
NLR-604Q	Non-IC Remodel Housing - 120V Magnetic	W: 6-1/4" L: 14-1/2" H: 7-1/2"
NLR-604/277Q	Non-IC Remodel Housing - 277V Magnetic	W: 6-1/4" L: 14-1/2" H: 7-1/2"
NLR-604/1EL	Non-IC Remodel Housing - 120V Electronic	W: 6-1/4" L: 14-1/2" H: 7-1/2"
NLR-604/2EL	Non-IC Remodel Housing - 277V Electronic	W: 6-1/4" L: 14-1/2" H: 7-1/2"
NLR-604/75Q	Non-IC Remodel Housing - 120V Magnetic	W: 6-1/4" L: 14-1/2" H: 7-1/2"
NLR-604/277/75Q	Non-IC Remodel Housing - 277V Magnetic	W: 6-1/4" L: 14-1/2" H: 7-1/2"
NLR-604/75/1EL	Non-IC Remodel Housing - 120V Electronic	W: 6-1/4" L: 14-1/2" H: 7-1/2"
NLR-604/75/2EL	Non-IC Remodel Housing - 277V Electronic	W: 6-1/4" L: 14-1/2" H: 7-1/2"
LINE VOLTAGE RETROFIT KITS		
NRA-34/10	Non-IC - Without Lamp	Medium Base Socket adapter
NRA-37/10	Non-IC - With 50W Lamp	Medium Base Socket adapter
LOW VOLTAGE RETROFIT KITS		
NLK-2600	Non-IC - 120V Magnetic	W: 4-1/2" L: 4-3/4" H: 5-1/8"
NLK-2600EL	Non-IC - 120V Electronic	W: 5-1/8" L: 5-1/2" H: 4-1/2"

**Baffle with Regressed Eyeball and Plastic Ring**

- NL-628B: Black Baffle with Black Regressed Eyeball and White Plastic Ring
- NL-628W: White Baffle with White Regressed Eyeball and White Plastic Ring