

Installation Instructions

NCR2

Sapphire II LED Retrofit

READ PRIOR TO ATTEMPTING INSTALLATION
ALWAYS TURN OFF MAIN POWER BEFORE INSTALLATION
INSTALLATION SHOULD BE CARRIED OUT BY YOUR LOCAL ELECTRICIAN

⚠ WARNING - Risk of fire or electric shock. LED Retrofit Kit installation requires knowledge of luminaire electrical systems. If not qualified, do not attempt installation. Contact a qualified electrician.

⚠ AVERTISSEMENT - Risque d'incendie ou d'électrocution. L'installation du kit de rénovation LED nécessite la connaissance des systèmes électriques des luminaires. Si vous n'êtes pas qualifié, n'essayez pas installation. Contactez un électricien qualifié.

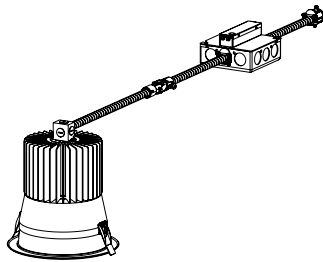
⚠ WARNING - To prevent wiring damage or abrasion, do not expose wiring to edges of sheet metal or other sharp objects.

DO NOT MAKE OR ALTER ANY OPEN HOLES IN AN ENCLOSURE OF WIRING OR ELECTRICAL COMPONENTS DURING KIT INSTALLATION.

⚠ AVERTISSEMENT - Pour éviter tout dommage ou abrasion du câblage, n'exposez pas le câblage aux bords de la tôle ou d'autres objets pointus.

NE PAS FAIRE OU MODIFIER LES TROUS OUVERTS DANS UNE BOÎTE DE CÂBLAGE OU DE COMPOSANTS ÉLECTRIQUES PENDANT L'INSTALLATION DU KIT.

PACKAGING CONTENTS



COMPATIBLE FRAMES / HOUSINGS

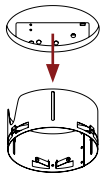
Refer to correlation label of luminaire and /or specification sheet on Nora Lighting website. www.noralighting.com

Nora: NCH-6, NCHR-6, NAH-6, NCH-8, NCHR-8, NAH-8
Lightolier: Lytecaster 1100 Series
Lithonia: LP6N, LP6HN, LP6FN, LF6N,
LP8N, LP8HN, LP8FN, LF8N
Halo (Cooper): PD6 Series, PD8 Series
Juno: N6 Series, N8 Series

INSTALLATION INTO COMPACT FLUORESCENT AND INCANDESCENT FRAMES / HOUSINGS

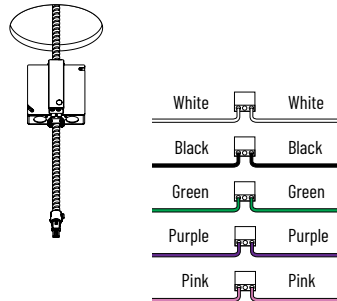
1

Remove the screws that are fastening housing collar and remove collar from housing.



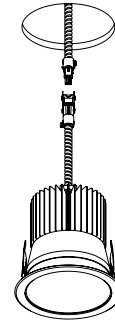
2

Locate junction box in ceiling, punch out one 1/2" trade size knockout, secure flexible conduit, and connect power and dimming feed wires.



3

Place the driver junction box into the ceiling and connect the fixture to the driver junction box. Then twist the flippers upward and insert the LED module and trim into the ceiling.



Installation Complete.

Installation Instructions

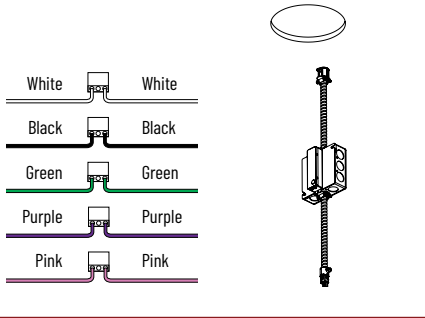
NCR2

Sapphire II LED Retrofit

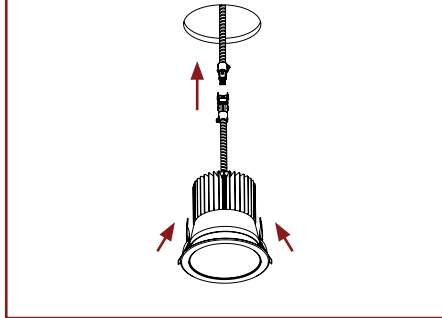
READ PRIOR TO ATTEMPTING INSTALLATION
ALWAYS TURN OFF MAIN POWER BEFORE INSTALLATION
INSTALLATION SHOULD BE CARRIED OUT BY YOUR LOCAL ELECTRICIAN

CAN-LESS INSTALLATION

- 1** Cut appropriately sized hole in ceiling and locate junction box. Then punch out one ½" trade size knockout, secure flexible conduit, and connect power and dimming feed wires.



- 2** Place the driver junction box into the ceiling and connect the fixture to the junction box. Then push the canless flippers upward to insert the fixture into the ceiling.



- 3** Installation Complete

