

Installation Instructions

NHCB-6

6" Cobalt Dedicated Non-IC High Lumen New Construction Housing

READ PRIOR TO ATTEMPTING INSTALLATION
ALWAYS TURN OFF MAIN POWER BEFORE INSTALLATION
INSTALLATION SHOULD BE CARRIED OUT BY YOUR LOCAL ELECTRICIAN

⚠ FIRE / ELECTRICAL HAZARD: INSTALL ACCORDING TO NATIONAL ELECTRIC CODE AND ANY APPLICABLE MUNICIPAL CODE REQUIREMENTS

This equipment is intended to be installed only by qualified personnel.

The installation must be made in accordance with the current edition to the

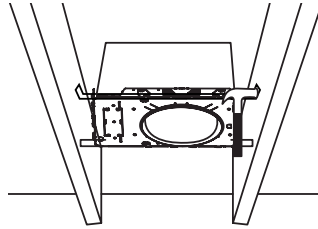
National Electric Code and all applicable state and local building codes. The final installation must be approved by the appropriate qualified electrical /building inspector(s). Improper installation may result in a fire or electrical hazard. Be sure the electrical power to the circuit has been disconnected before installing this electrical system.

⚠ WARNING - RISK OF FIRE:

Most dwellings built before 1985 have supply wire rated 60°C (thermal cutoffs in fixtures operate at 90°C); consult a qualified electrician prior to installation.

STANDARD "JOIST" CEILING INSTALLATION:

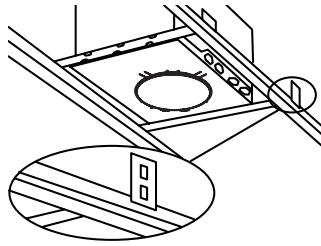
1. Use bar hangers to attach fixture between ceiling joists. Each end of the bar hanger is equipped with a nail-in barbed tab. Additional hardware such as screws or nails may be used if extra support is necessary.
2. For steel studs, use steel piercing screws in place of nails or barbed tabs.
3. Remove shipping screw from underneath side of plaster frame.
4. Ceiling cut-out: 6.4" diameter



T-BAR CEILING INSTALLATION:

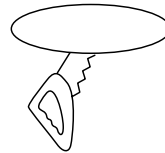
1. If mounting to a T-Bar type ceiling, mount fixture onto grid by placing notches on the bottom of each end of the bar hanger over the grid.
2. Tie fixture to grid with structural wire going through both the circular knockout on the end of the bar hanger and nearest accompanying knockout on the ceiling grid.

NOTE: It is imperative to tie down the fixture to prevent the fixture from being pushed above the ceiling during reflector installation.



CUTTING A HOLE:

1. Locate the center of proposed opening on your tile or ceiling and mark it.
2. Use a compass to draw a 6.4" diameter circle around the center point.
3. Cut along this circular line.



Installation Instructions

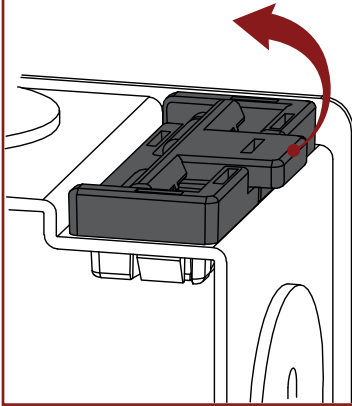
NHCB-6

6" Cobalt Dedicated Non-IC High Lumen New Construction Housing

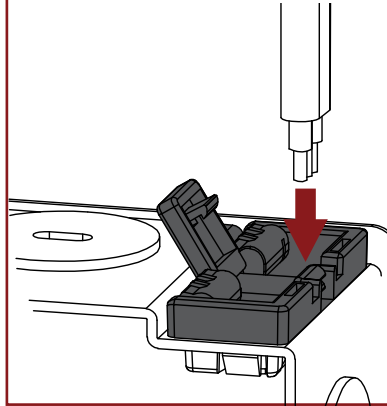
READ PRIOR TO ATTEMPTING INSTALLATION
ALWAYS TURN OFF MAIN POWER BEFORE INSTALLATION
INSTALLATION SHOULD BE CARRIED OUT BY YOUR LOCAL ELECTRICIAN

ROMEX STRAIN RELIEF INSTALLATION INSTRUCTIONS

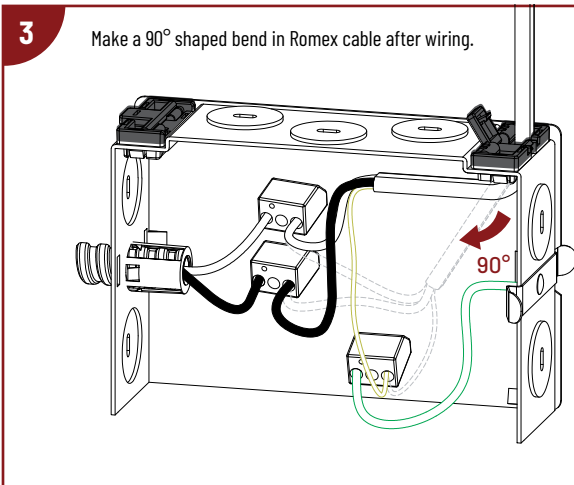
1 Open the Romex strain relief by lifting tab.



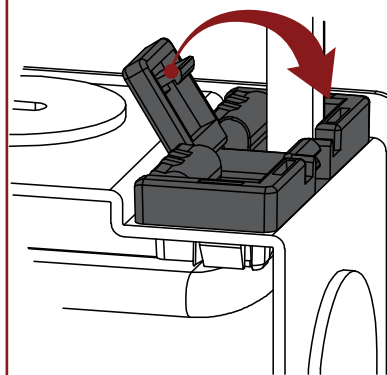
2 Push the Romex cable through one side of the strain relief.
Note: Two Romex cables can be used per strain relief.



3 Make a 90° shaped bend in Romex cable after wiring.



4 Close the strain relief tab after wiring to complete the installation.

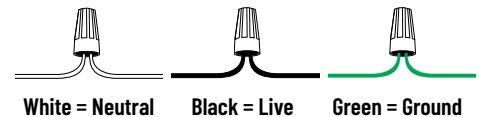


ELECTRICAL CONNECTIONS:

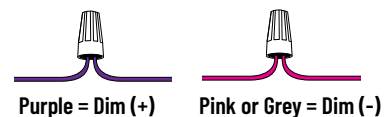
1. Connect ½ inch trade size steel conduit to junction box with appropriate fitting. If using Romex-type shielded wiring, use rectangular pry-out strain reliefs located on upper corners of junction box.
2. Connect wires accordingly:
 - Black (120/277V) = Supply Voltage
 - White = Neutral
 - Green or Copper Wire = Grounding Junction Box Wire0-10V Wiring:
 - Purple = Dim (+)
 - Pink or Grey = Dim (-)(Maximum of 8 no. 12 AWG through branch circuit conductors suitable for at least 90°C permitted in junction box. AC ONLY)

NOTE ON GROUNDING: Many structures carry grounding via steel conduit. If this is the case, if there is no grounding wire, simply leave green wire on fixture unattached. Fixture will be grounded through attachment of conduit to junction box. However, if Romex or PVC conduit is used, ground wire will always be present, and must be connected to green wire on fixture junction box to avoid electrical shock hazard.

120/277V CONNECTION:



0-10V DIMMING CONNECTION:



* cap off 0-10V wires if dimming wires are not used *

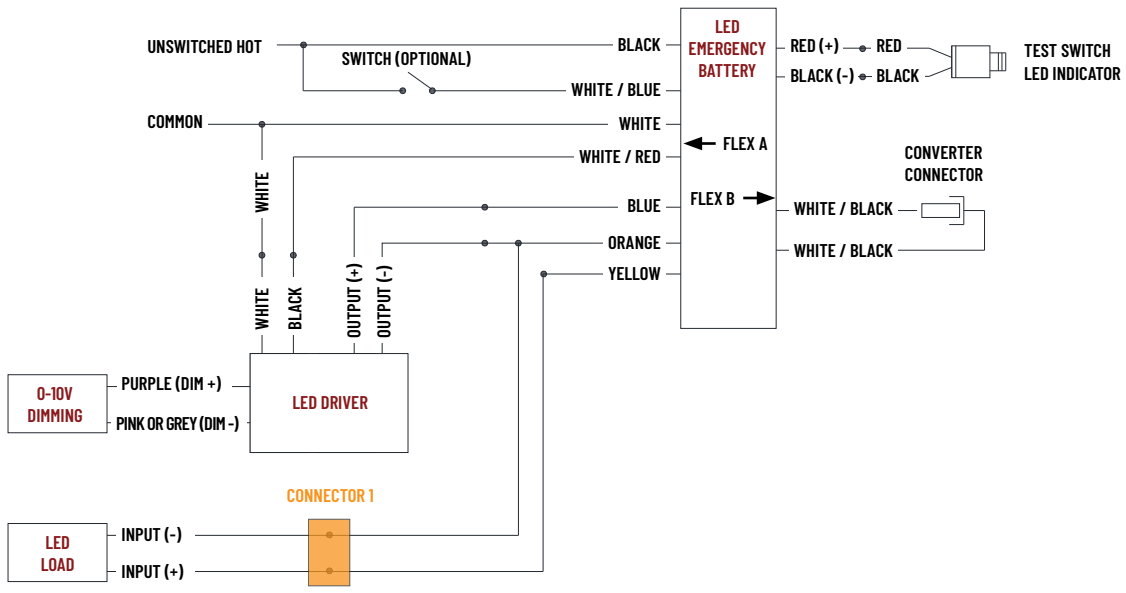
Installation Instructions

NHCB-6

6" Cobalt Dedicated Non-IC High Lumen New Construction Housing

READ PRIOR TO ATTEMPTING INSTALLATION
 ALWAYS TURN OFF MAIN POWER BEFORE INSTALLATION
 INSTALLATION SHOULD BE CARRIED OUT BY YOUR LOCAL ELECTRICIAN

EMERGENCY CONNECTION (NEPK-07LEDUNV)



EMERGENCY CONNECTION (PHILIPS BODINE BSL17C-C2)

