

Installation Instructions

NHSIC-4

4" Cobalt Shallow IC Air-Tight Housing

READ PRIOR TO ATTEMPTING INSTALLATION
ALWAYS TURN OFF MAIN POWER BEFORE INSTALLATION
INSTALLATION SHOULD BE CARRIED OUT BY YOUR LOCAL ELECTRICIAN

Fixtures are listed for insulated ceilings—Type IC, airtight—AT and for suspended ceilings—Type S. To insure safe and reliable operations, make sure the fixture corresponds to the proper ceiling installation. Read the following material carefully before beginning installation. In general these instructions apply to "round" housings. Drawings of "round" housings have been used to illustrate installation procedures. Before attempting installation of any recessed lighting fixture check your local electrical code. This code sets the wiring standards for your locality and should be carefully studied before starting work.

INSULATED CEILINGS - TYPE IC

Fixture can be installed in insulated ceilings or in direct contact with insulation.

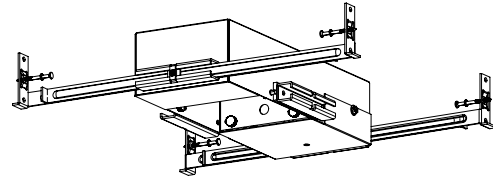
SUSPENDED CEILINGS - TYPE S

Fixture can be installed in suspended ceilings that are not permanent or insulated.

AIRTIGHT INSTALLATION

Nora housings certified under ASTM E283 are supplied with a pre-installed gasket or supplied with a ready-to-install self adhesive gasket.

- Step 1. Lay gasket flat and peel protective paper backing from gasket to expose adhesive side.
- Step 2. Apply supplied gasket to ceiling lip and wrap gasket around inside of housing to form seal of the ceiling opening or apply caulk per state/local code. When properly installed, Nora housings provide compliance with restricted air-flow regulations.



FIRE/ELECTRICAL HAZARD: INSTALL ACCORDING TO NATIONAL ELECTRIC CODE AND ANY APPLICABLE MUNICIPAL CODE REQUIREMENTS.

This equipment is intended to be installed only by qualified personnel. The installation must be made in accordance with the current edition to the National Electric Code and all applicable state and local building codes. The final installation must be approved by the appropriate qualified electrical/building inspector(s). Improper installation may result in a fire or electrical hazard. Be sure the electrical power to the circuit has been disconnected before installing this electrical system.

For additional details, contact technical support at 800.686.6672.

FEU / RISQUE ÉLECTRIQUE: INSTALLER SELON AU CODE ÉLECTRIQUE NATIONAL ET LES EXIGENCES DE CODE MUNICIPAUX APPLICABLES.

Cet équipement est destiné à être installé par un personnel qualifié. L'installation doit être faite conformément à l'édition actuelle du Code national de l'électricité et tous les codes d'état et de construction locaux applicables. L'installation finale doit être approuvée par l'inspecteur en électricité / bâtiment qualifié approprié (s). Une mauvaise installation peut provoquer un incendie ou un risque électrique. Assurez-vous que l'alimentation électrique du circuit a été coupée avant l'installation de ce système électrique. Pour plus de détails, contactez le support technique au 800.686.6672.

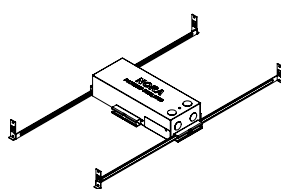
IMPORTANT- RISK OF FIRE:

Most dwellings built before 1985 have supply wire rated 60°C (thermal cutoffs in fixtures operate at 90°C); consult a qualified electrician prior to installation. If supply wires are located within three inches of fixture, use wire rated for at least 90°C. Contact technical support at 1-800-686-6672 for additional details.

IMPORTANT-RISQUE D'INCENDIE:

La plupart des logements construits avant 1985 ont le fil d'alimentation nominale de 60°C (disjoncteurs thermiques dans les appareils fonctionnent à 90°C); consultez un électricien qualifié avant l'installation. Si les fils d'alimentation sont situés à moins de trois pouces de l'appareil, l'utilisation de fil résister au moins à 90°C. Contactez le support technique au 1-800-686-6672 pour plus de détails.

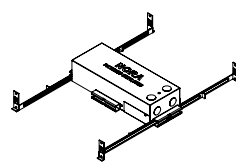
HANGER BAR ADJUSTMENT



24.5"

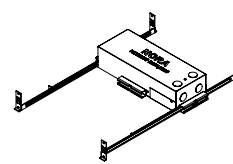
Housing is centered when hanger bar is expanded to max. length.

NOTE: Housing can not be adjusted when fully extended.



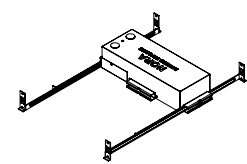
(Example: 19")

When not adjusted to max length, housing may be moved to the left or right, as shown on the next illustrations.



(Example: 19")

Housing moved to the left.



(Example: 19")

Housing moved to the right.

NOTE: Contact tech@noraligning.com for additional information

Installation Instructions

NHSIC-4

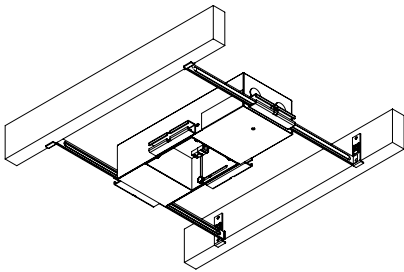
4" Cobalt Shallow IC Air-Tight Housing

READ PRIOR TO ATTEMPTING INSTALLATION
ALWAYS TURN OFF MAIN POWER BEFORE INSTALLATION
INSTALLATION SHOULD BE CARRIED OUT BY YOUR LOCAL ELECTRICIAN

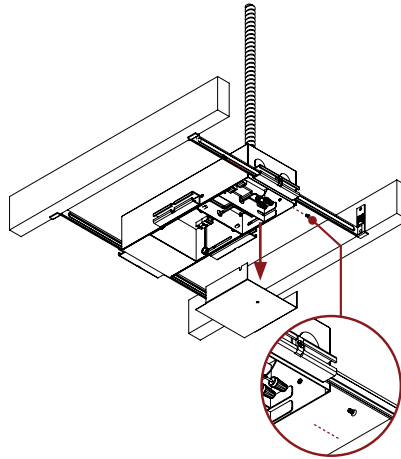
INSTALLATION INSTRUCTIONS

⚠️ TURN OFF MAIN POWER BEFORE INSTALLATION

1 Install housing to joist.



2 Remove junction box cover and attach ½" trade size steel conduit to junction box with appropriate fitting.



3 Connect wires accordingly:

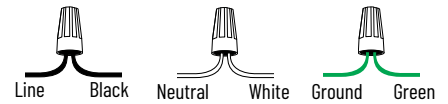
- Black Wire = Live (Hot)
- White Wire = Neutral
- Green or Copper Wire = Grounding Junction Box Wire

0-10V Wiring:

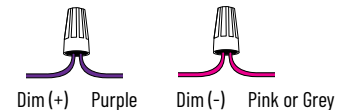
- Purple = Dim (+)
- Pink or Grey = Dim (-)

(Maximum of 8 no. 12 AWG through branch circuit conductors suitable for at least 90°C permitted in junction box. AC ONLY)

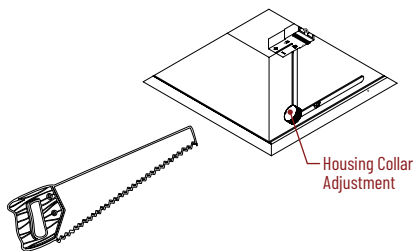
NOTE ON GROUNDING: Many structures carry grounding via steel conduit. If this is the case, if there is no grounding wire, simply leave green wire on fixture unattached. Fixture will be grounded through attachment of conduit to junction box. However, if Romex or PVC conduit is used, ground wire will always be present, and must be connected to green wire on fixture junction box to avoid electrical shock hazard.



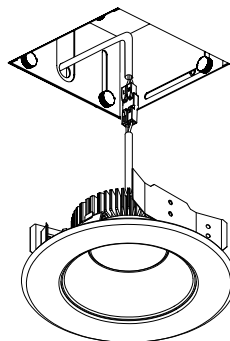
LE4 ONLY (Note: cap off 0-10V dimming wires if not used)



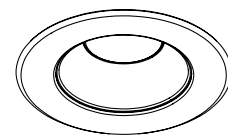
4 Install drywall and cut 4" square opening. Adjust housing collar to align with drywall.



5 Connect compatible NLCBS LED downlight to the housing.



6 Squeeze friction blades on trim and carefully push into the housing. Installation complete.



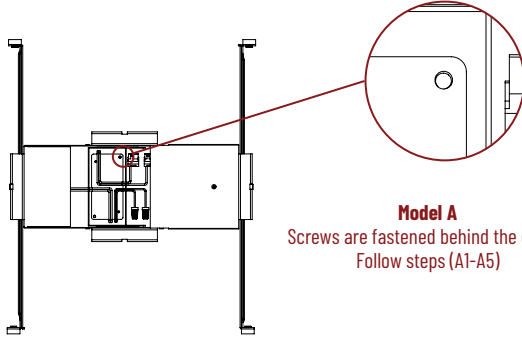
Installation Instructions

NHSIC-4

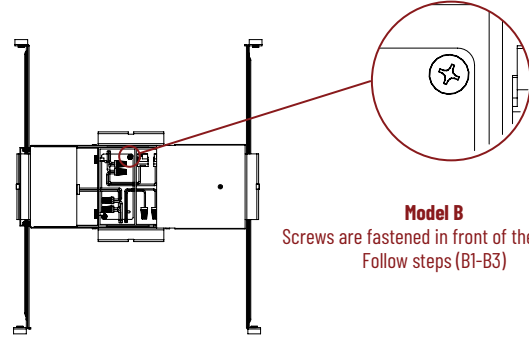
4" Cobalt Shallow IC Air-Tight Housing

READ PRIOR TO ATTEMPTING INSTALLATION
ALWAYS TURN OFF MAIN POWER BEFORE INSTALLATION
INSTALLATION SHOULD BE CARRIED OUT BY YOUR LOCAL ELECTRICIAN

HOUSING VERSIONS



Model A
Screws are fastened behind the driver.
Follow steps (A1-A5)

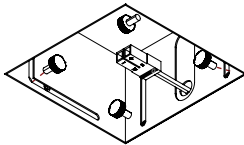


Model B
Screws are fastened in front of the driver.
Follow steps (B1-B3)

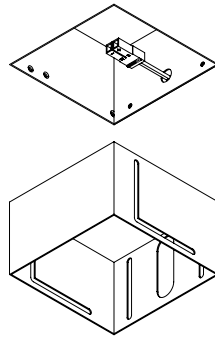
ACCESSING THE DRIVER FROM BELOW THE CEILING (MODEL A)

⚠️ TURN OFF MAIN POWER BEFORE INSTALLATION

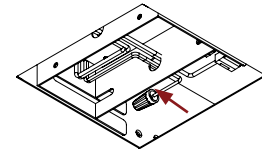
A1 Remove thumbscrews.



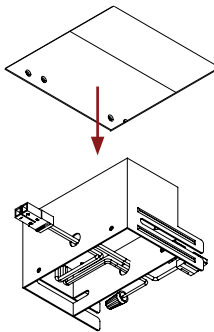
A2 Remove trim compartment.



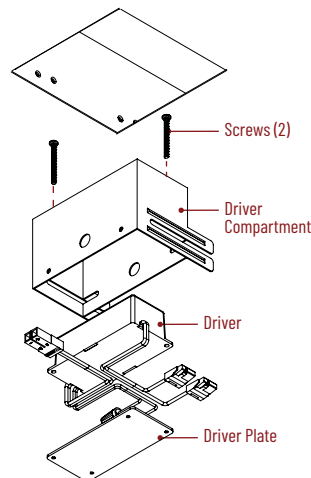
A3 Slide driver compartment.



A4 Remove driver compartment.



A5 Remove and replace driver.



Installation Instructions

NHSIC-4

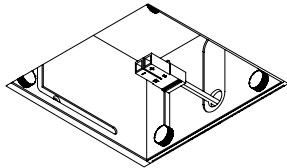
4" Cobalt Shallow IC Air-Tight Housing

READ PRIOR TO ATTEMPTING INSTALLATION
ALWAYS TURN OFF MAIN POWER BEFORE INSTALLATION
INSTALLATION SHOULD BE CARRIED OUT BY YOUR LOCAL ELECTRICIAN

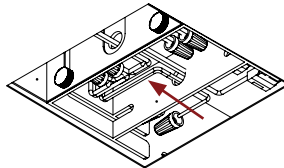
ACCESSING THE DRIVER FROM BELOW THE CEILING (MODEL B)

⚠️ TURN OFF MAIN POWER BEFORE INSTALLATION

B1 Loosen thumbscrews.



B2 Slide trim compartment to access driver compartment



B3 Slide the housing compartment to its original location and tighten thumbscrews.

