

# Installation Instructions

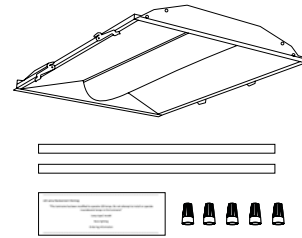
## NPRETCB Series

### LED Center Basket Troffer Retrofit

**READ PRIOR TO ATTEMPTING INSTALLATION**  
**ALWAYS TURN OFF MAIN POWER BEFORE INSTALLATION**  
**INSTALLATION SHOULD BE CARRIED OUT BY YOUR LOCAL ELECTRICIAN**

- ⚠ WARNING** - Risk of fire or electric shock. LED fixture installation requires knowledge of luminaire electrical systems. If not qualified, do not attempt installation. Contact a qualified electrician.
- ⚠ WARNING** - Risk of fire or electric shock. Install this fixture only in luminaires that have the construction features and dimensions shown in the photographs and / or drawings and where the input rating does not exceed the input rating of the luminaire.
- ⚠ WARNING** - To prevent wiring damage or abrasion, do not expose wiring to edges of sheet metal or other sharp objects.
- ⚠ WARNING** - This equipment is intended to be installed only by qualified personnel. The installation must be made in accordance with the current edition to the National Electric Code and all applicable state and local building codes. The final installation must be approved by the appropriate qualified electrical/building inspector(s). Improper installation may result in a fire or electrical hazard. Be sure the electrical power to the circuit has been disconnected before installing this electrical system.
- ⚠ AVERTISSEMENT** - Cet équipement est destiné à être installé uniquement par du personnel qualifié. L'installation doit être faite en conformité avec l'édition actuelle du Code national de l'électricité et toutes étatiques et locales codes du bâtiment applicables. L'installation finale doit être approuvée par l'inspecteur en électricité / bâtiment qualifié approprié(s). Une mauvaise installation peut entraîner un incendie ou un risque électrique. Soyez sûr de la puissance électrique vers le circuit a été coupée avant l'installation de ce système électrique.

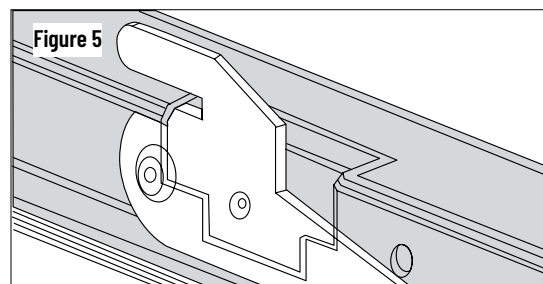
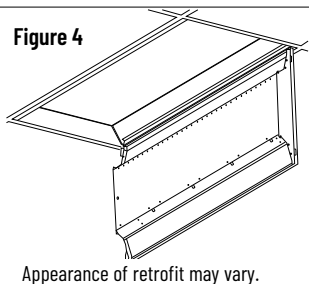
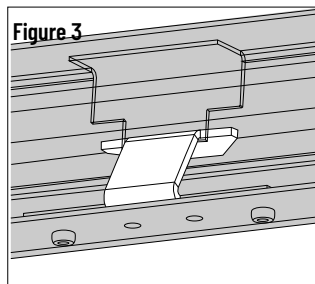
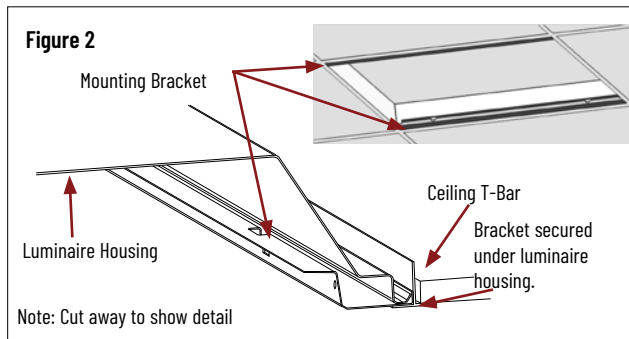
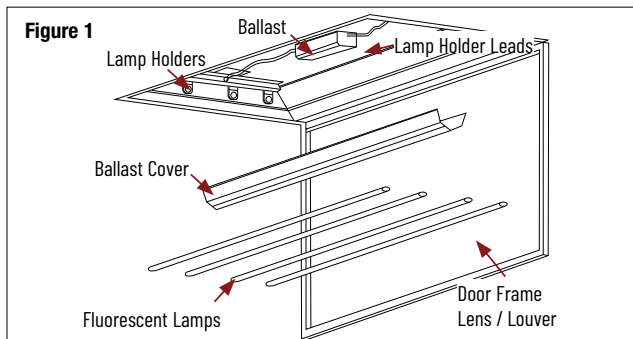
#### PACKAGING CONTENTS



LED Troffer Retrofit  
 Side Mounting Brackets  
 LED Replacement Sticker  
 (5) Wire Nuts

#### INSTALLATION INSTRUCTIONS

1. Disconnect power to existing fixture.
2. Remove existing door frame (if installed) and lamps. If clearance permits, disconnect ballast, and leave ballast, and socket bars inside the fixture. Otherwise remove these as needed. Please dispose of lamps, door frame, and ballast properly. (Figure 1)
3. Check if the luminaire housing is properly secured by the T-bar. If not, please secure luminaire housing to T-bar.
4. Slightly lift luminaire housing and slide in both side mounting brackets between the housing and the "T" grid. (Figure 2) Lower luminaire onto mounting brackets.
5. Hang the retrofit assembly by its hinges on one of the mounting brackets. (Figure 3 & 4)
6. Install power disconnect (pre-attached to supplied power leads) to the line (black) and neutral (white) coming into the fixture.  
 0-10 Dimming: Connect leads from 0-10V dimming device to respective DIM+ (purple) and DIM- (grey) wires. (See Figure 6)
7. Wire the existing fixture ground wire to the supplied ground wire/s. If no ground wire exists from the power supply, add ground wire to the existing luminaire housing. The retrofit assembly must be properly grounded.
8. Close the retrofit assembly and secure both latches. (Figure 5)
9. Reconnect main power.



#### Figure 6

##### 120/277V CONNECTION:

##### 0-10V DIMMING CONNECTION:

