

Installation Instructions

NCAH Series - Sapphire I High Lumen Universal Frame-In

READ PRIOR TO ATTEMPTING INSTALLATION
ALWAYS TURN OFF MAIN POWER BEFORE INSTALLATION
INSTALLATION SHOULD BE CARRIED OUT BY YOUR LOCAL ELECTRICIAN

- ⚠ WARNING** - Risk of fire or electric shock. LED installation kit requires knowledge of luminaires electrical systems. If not qualified, do not attempt installation. Contact a qualified electrician.
- ⚠ WARNING** - Risk of fire or electric shock. Install this kit only in luminaires that have the construction features and dimensions shown in the photographs and / or drawings and where the input rating does not exceed the input rating of the luminaire.
- ⚠ WARNING** - To prevent wiring damage or abrasion, do not expose wiring to edges of sheet metal or other sharp objects.
- ⚠ WARNING** - This equipment is intended to be installed only by qualified personnel. The installation must be made in accordance with the current edition to the National Electric Code and all applicable state and local building codes. The final installation must be approved by the appropriate qualified electrical/building inspector(s). Improper installation may result in a fire or electrical hazard. Be sure the electrical power to the circuit has been disconnected before installing this electrical system.
- ⚠ AVERTISSEMENT** - Cet équipement est destiné à être installé uniquement par du personnel qualifié. L'installation doit être faite en conformité avec l'édition actuelle du Code national de l'électricité et toutes étatiques et locales codes du bâtiment applicables. L'installation finale doit être approuvée par l'inspecteur en électricité / bâtiment qualifié approprié(s). Une mauvaise installation peut entraîner un incendie ou un risque électrique. Soyez sûr de la puissance électrique vers le circuit a été coupée avant l'installation de ce système électrique.

REFLECTOR CLIP

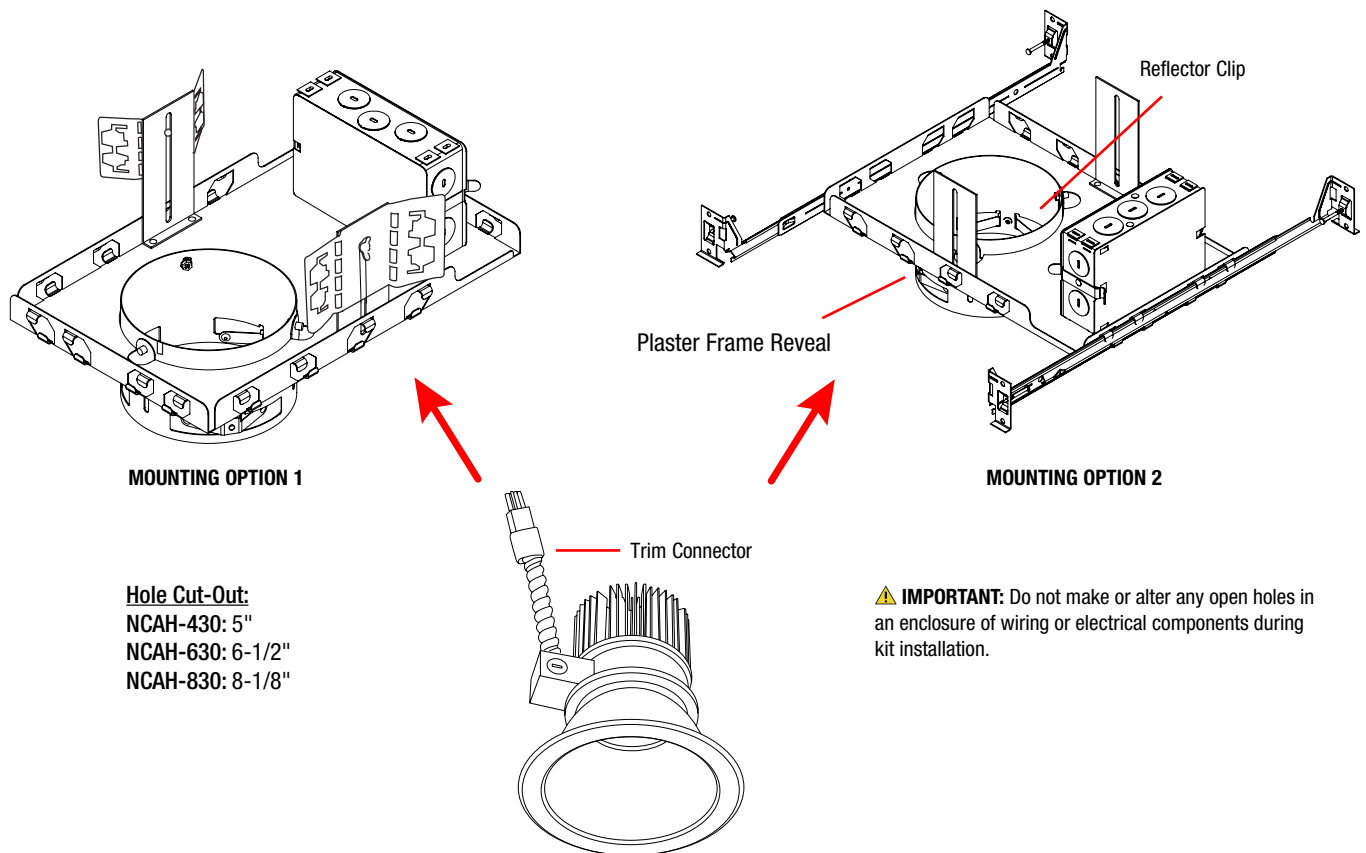
1. Connect and lock the trim connector to the housing connector.
2. Install the 3 reflector clips onto the plaster frame. Push the clips onto the edge of the plaster frame reveal with the clips pointing toward the center of the opening.
3. The clips should be spaced 120° apart
4. Push the reflector into the plaster frame opening until the reflector is flush with the ceiling. The reflector clips should hold the reflector in place.

MOUNTING OPTION 1:

Vertically adjustable universal mounting brackets accept flat bar hangers, conduit or C channel. The reflector assembly is held in with 4 "butter-fly" spring clips. Reflector assembly quickly attaches with lockable quick connect.

MOUNTING OPTION 2:

Two adjustable bar hangers with captive nails, alignment foot and T-Bar slot are included on frame. Bar hangers are parallel to junction box, but can be repositioned 90° perpendicular to junction box if desired. L-shaped bar hanger foot aligns to bottom of construction joist. A T-Bar notch allows for easy installation in a suspended ceiling.



⚠ IMPORTANT: Do not make or alter any open holes in an enclosure of wiring or electrical components during kit installation.

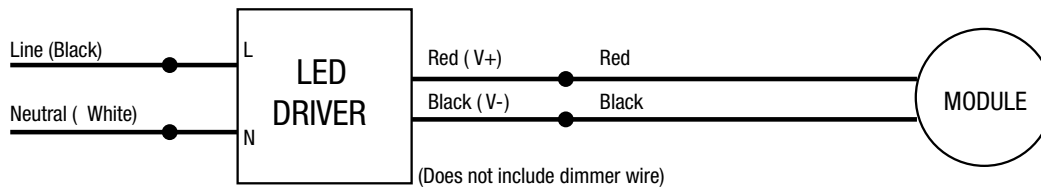
Please refer to individual Specification Sheets for dimensions.

Installation Instructions

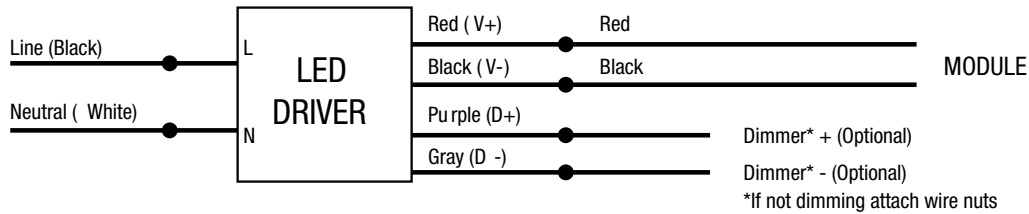
NCAH Series - Sapphire I High Lumen Universal Frame-In

READ PRIOR TO ATTEMPTING INSTALLATION
 ALWAYS TURN OFF MAIN POWER BEFORE INSTALLATION
 INSTALLATION SHOULD BE CARRIED OUT BY YOUR LOCAL ELECTRICIAN

TRIAC DIMMER



0-10V DIMMER



PHILIPS bodine -- BSL17C-C2

