

# Installation Instructions

\*\*\*URGENT: READ PRIOR TO ATTEMPTING INSTALLATION\*\*\*

## MINI PUCK LIGHTS - LOW VOLTAGE XENON

**ALWAYS TURN OFF MAIN POWER BEFORE INSTALLATION**

Item#	Description	Rating
NM-127	Mini Xenon Grooved Trim with Housing	12V / 20W
NM-128	Mini Xenon Smooth Trim with Housing	12V / 20W
NM-240	Mini Xenon Grooved Trim with Housing	12V / 20W
NM-241	Mini Xenon Smooth Trim with Housing	12V / 20W
NM-250	Eyelid Puck Light	12V / 10W
NM-251	Diamond Gemstone Puck Light	12V / 10W
NM-252	Sapphire Gemstone Puck Light	12V / 10W
NM-253	Emerald Gemstone Puck Light	12V / 10W
NM-254	Ultra Slime Puck Light	12V / 10W

INSTALLATION SHOULD BE CARRIED OUT BY YOUR LOCAL ELECTRICIAN.

### SURFACE INSTALLATION

1. Pry out shell from housing. Fasten housing to surface with screws provided.
2. Connect leads to power source and push excess wire leads to hole.
3. Insert shell into housing by pressing side paddle clips.

### RECESSED INSTALLATION

**WARNING:** Always maintain a minimum of 1/2" distance from adjacent combustible materials.

1. Pry out shell from housing. Keep housing for future use.
2. Cut out hole in the surface according to recommended diameter.
3. Connect leads to power source.
4. Insert shell into the surface hole by pressing side paddle clips.

### CHANGING BULB: MAKE SURE FIXTURE IS COOL

**NM-127/NM-240:** To open, turn trim clockwise. To close, turn trim counterclockwise.

**NM-128/NM-241:** To open, depress springs to release leans. To close, push lens back into place.

**NM-250:** Pull shell from housing. To open, hold back of shell and turn lens cover counterclockwise then turn lens counterclockwise. To close, turn lens clockwise, replace lens cover by turning it clockwise. Replace back shell to housing by depressing paddle clips on the side (see FIG. A).

**NM-251/NM-252/NM-253:** To open, pry out lens assembly. To close, push lens assembly back into place (see FIG. B).

**NM-254:** Hold edge of trim assembly, turn and pull out shell from housing. To open, hold the shell and pull trim. To close, push trim back and insert shell to housing (see FIG. C).

**CAUTION: DO NOT MODIFY OR ALTER ANY PORION OF THE FIXTURE OR TRIM. ALL COMPONENTS ARE PROVIDED.:**

### Parts Included:

1. Shell (includes Trim and Lens, Reflector, Socket and Bulb, Paddle Clips and 72" Wire Leads).
2. Housing.

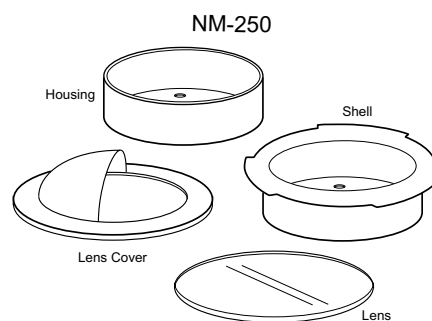


FIG. A

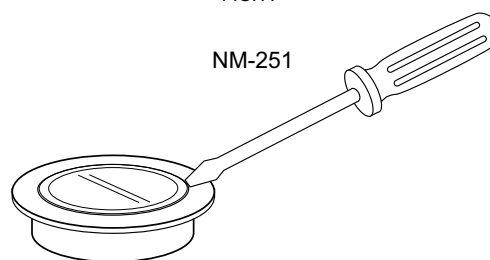


FIG. B

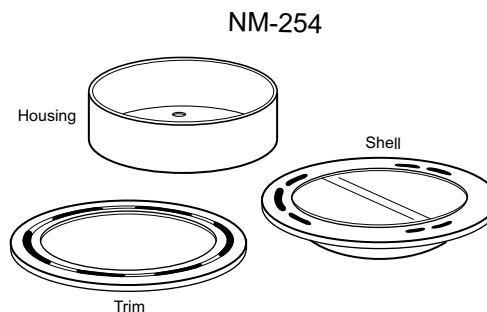


FIG. C