

NMRTL6PD

Pull-Down LED Trimless Multiples

Source: 30W LED

2100lm per module

Type

Project

Catalog No.

Notes

PRODUCT DESCRIPTION

Multi-lamp functionality and architectural aesthetics define LED Pull-Down Multiple Lighting System. This recessed family of fixtures is available in one to three lamp liner configurations and can be installed in new or remodel construction. The trimless look blends with the ceiling line with no visible flange. Accessories include a frame for new construction rough-in and a flange kit for application where trimless does not work.

FEATURES

- 2100lm / 30W per head
- 2700K, 3000K, 3500K or 4000K @ 90+ CRI
- Specifiable with Spot or Narrow Flood beam spread
- Can be installed as a remodel or new construction
- Optional new construction frame-in
- Optional flange kit
- 359° horizontal rotation / 85° vertical tilt

CONSTRUCTION

Housing: 0.05" galvanized steel with ventilation openings for proper heat dissipation. A separate driver compartment with eight 1/2" knockouts for electrical entry to the wiring compartment are available. Housing includes adjustable brackets for various ceiling depths (max. 1-5/8") and separate mud ring for finishing.

Adjustability: 359° horizontal and 85° vertical adjustment when fully extended. Each head can be pulled down or adjusted individually.

Installation: The housing can be installed in existing drywall ceilings or can be roughed-in for new construction with optional frame-in. Housing comes standard with mud ring for trimless installation, optional flange kit is available.

Minimum Clearance: Requires a minimum clearance of 3" from thermal insulation and 1/2" from any adjacent building components.

Quick Connect: Each driver has a lead with quick connect. The quick connect easily attaches to quick connect of the LED module. Drivers can be supplied with a single supply or individual supply line for independent control.

ELECTRICAL

- Input Voltage:** 120V, 277V or 120V-277V
- Lumen / Wattage:** 2100lm / 30W each module
- Color Temperature:** 2700K, 3000K, 3500K and 4000K
- Color Rendering Index:** 90+ CRI
- Beam Spreads:** 16° Spot or 29° Flood
- Operating Temperature:** 0°-45°C max.
- Dimming:** Triac, ELV or 0-10V

OPTIONAL ACCESSORIES

Multiple lighting housings can be converted to new construction installations or flanged units with accessories.

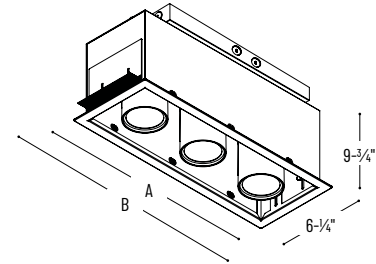
Catalog No.	Description
NMRTL-F1	(1) Head frame-in for new construction installation
NMRTL-F2	(2) Head frame-in for new construction installation
NMRTL-F3	(3) Head frame-in for new construction installation
NMRTL-IFK	(1) Head flange kit (Black or White finish)
NMRTL-2FK	(2) Head flange kit (Black or White finish)
NMRTL-3FK	(3) Head flange kit (Black or White finish)

LABELS AND LISTINGS

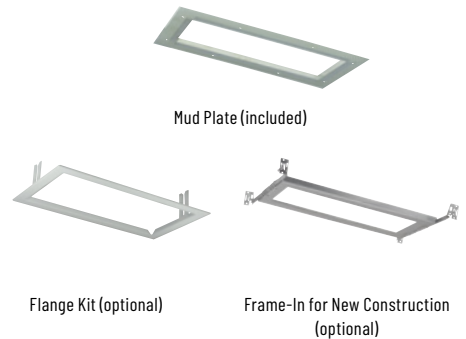
- cULus Listed for Damp Locations
- ENERGY STAR® Certified
- [5-Year Limited Warranty](#)



PRODUCT IMAGES AND DIMENSIONS



Dimensions	Length (A)	Length w/ Bracket (B)	Ceiling Cut-Out
1 Head	6-1/4"	9-3/4"	6-1/4" x 6-1/4"
2 Head	12-1/4"	15"	12-1/4" x 6-1/4"
3 Head	18-1/2"	21"	18-1/2" x 6-1/4"



Pull-Down Adjustable LED Trimless MLS - Luminaire ships complete with adjustable module(s) installed

# of Heads	Dimming	Output Per Head	Color Temperature	Beam Spread	Finish
NMRTL6PD-11 = 1 Head	D1 = 120V; Triac/ELV/0-10V	L20 = 2100lm / 30W	27 = 2700K	S = 16° Spot	B = Black
NMRTL6PD-12 = 2 Heads	D2 = 277V; 0-10V		30 = 3000K	F = 29° Flood	W = White
			35 = 3500K		
			40 = 4000K		
NMRTL6PD-13 = 3 Heads	D1 = 120V; Triac/ELV/0-10V	L20 = 2100lm / 30W	27 = 2700K	S = 16° Spot	B = Black
	D2 = 277V; 0-10V		30 = 3000K	F = 29° Flood	
			35 = 3500K		
			40 = 4000K		
NMRTL6PD-13 = 3 Heads	D6 = 120-277V; 0-10V	L20 = 2100lm / 30W	27 = 2700K	S = 16° Spot	W = White
			30 = 3000K	F = 29° Flood	
			35 = 3500K		
			40 = 4000K		

Optional Accessories

Description
NMRTL-F1 = 1-Head Frame-In for New Construction
NMRTL-F2 = 2-Head Frame-In for New Construction
NMRTL-F3 = 3-Head Frame-In for New Construction
NMRTL-IFKB = 1-Head Flange Kit, Black
NMRTL-IFKW = 1-Head Flange Kit, White
NMRTL-2FKB = 2-Head Flange Kit, Black
NMRTL-2FKW = 2-Head Flange Kit, White
NMRTL-3FKB = 3-Head Flange Kit, Black
NMRTL-3FKW = 3-Head Flange Kit, White

Example: **NMRTL6PD-12D1L2035FB** - Trimless Multiple Two Head LED Pull-Down, 120V input, 2100lm / 30W per head, 3500K, 29° Flood, Black finish

NMRTLGPD

Pull-Down LED Trimless Multiples
Photometrics

Type _____

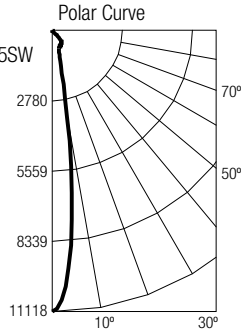
Project _____

Catalog No. _____

Notes _____

Test Information

Test Number: NTM1003
Part Number: NMRTLGPD-11D1L2035SW
Beam Spread: 16° Spot
Lumens: 2093lm
Wattage: 28.7W
Efficacy: 73lpw
CCT / CRI: 3500K / 90 CRI
Spacing Criteria (0°-180): 0.28
Spacing Criteria (90°-270): 0.28



Illuminance at a Distance

Distance from Luminaire	FC at Nadir	Beam Diameter
4'	695fc	1'-1"
6'	309fc	1'-8"
8'	174fc	2'-2"
10'	111fc	2'-10"
12'	77.2fc	3'-4"

Zonal Lumen Summary

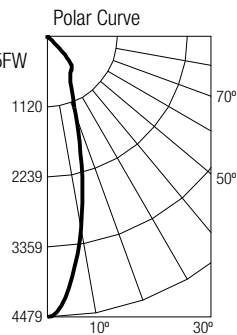
Zone	Lumens	% Luminaire
0-30	1372	65.6
0-40	1773	84.7
0-60	2048	97.9
0-90	2068	98.8
90-180	25	1.2
0-180	2093	100

Candela Table

Vertical Angles	Candela
0	11118
5	8537
15	1252
25	715
35	648
45	326

Test Information

Test Number: NTM1002
Part Number: NMRTLGPD-11D1L2035FW
Beam Spread: 29° Flood
Lumens: 2105lm
Wattage: 28.4W
Efficacy: 74lpw
CCT / CRI: 3500K / 90 CRI
Spacing Criteria (0°-180): 0.48
Spacing Criteria (90°-270): 0.48



Illuminance at a Distance

Distance from Luminaire	FC at Nadir	Beam Diameter
4'	280fc	2'-1"
6'	124fc	3'-1"
8'	70fc	4'-1"
10'	44.8fc	5'-1"
12'	31.1fc	6'-2"

Zonal Lumen Summary

Zone	Lumens	% Luminaire
0-30	1366	64.9
0-40	1784	84.7
0-60	2063	98
0-90	2088	99.2
90-180	18	0.8
0-180	2105	100

Candela Table

Vertical Angles	Candela
0	4479
5	4027
15	2122
25	918
35	667
45	338