

NPD-E22/A4HL / NPD-E14/A4HL / NPD-E24/A4HL

LED Edge-Lit Panels

Source: 34W to 36W LED
3500lm to 5000lm

Type

Project

Catalog No.

Notes

PRODUCT DESCRIPTION

LED Edge-Lit panels consist of an aluminum enclosure with even light distribution using edge mounted LEDs. The white diffused lens optimizes output while diffusing LED diode image. The Edge-Lit panels produce even zonal cavity distribution.

FEATURES

- 3500 lumens output with 35W (2'x2')
- 3500 lumens output with 34W (1'x4')
- 5000 lumens output with 46W (2'x4')
- Dedicated Color Temperature (3500K or 4000K)
- Fits most 2'x2', 1'x4' or 2'x4' grid ceilings
- Surface, pendant and hard ceiling recessed kits available
- 0-10V dimming
- 100/277V
- cULus listed for damp location

SPECIFICATION

Construction: Two LED strips mounted on edges enclosed in aluminum frame with smooth opalescent acrylic lens. White opalescent acrylic lens with a full aluminum back. The construction seals the conditioned air from the plenum or non-conditioned air, eliminates bugs or dirt getting to top of lens. Saves on maintenance cost.

Lens: The PMMA (Poly methyl methacrylate) lens is lightweight and shatter resistant.

Installation: Junction box is mounted on the back of panel and includes replaceable driver and has KOs for Romex or Flex wiring, which is accessible via a service door secured with two screws.

ELECTRICAL

Input: 100/277V

Lumens / Wattage:

2' x 2': 3500lm / 35W

1' x 4': 3500lm / 34W

2' x 4': 5000lm / 46W

Color Temperature: 3500K or 4000K

Color Rendering Index: 80+CRI

Operating Temperature: 0°C to 45°C ambient temperature

Lifetime: 50,000 hours @ L70

Dimming: 0-10V dimming down to 5%

[Click Here](#) or check complete dimmer list at www.NoraLighting.com in the "Compatibility" page under "Resources" tab

ACCESSORIES

NPD-xxDFK: Surface Mount Frame to allow panels to be mounted over junction box

NPD-xxRFK/W: Recessed Mounting Kit to allow panels to be recessed into hard ceiling

NPD-PK: Pendant Mounting Kit to suspend panels from monopoint canopy, aluminum finish

NPDBL-PKW: Pendant Mounting Kit to suspend panels from monopoint canopy, white finish

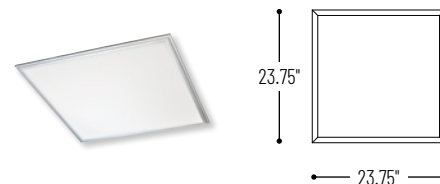
Emergency: Luminaire can be specified with emergency battery with remote test switch. Battery operates luminaire at 7W for 90 minute emergency operation on fully charged battery.

LABELS AND LISTINGS

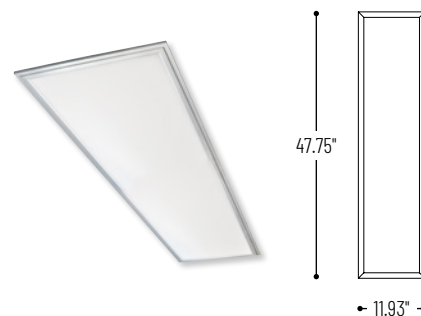
- cULus Listed for Damp Locations
- [5-Year Limited Warranty](#)



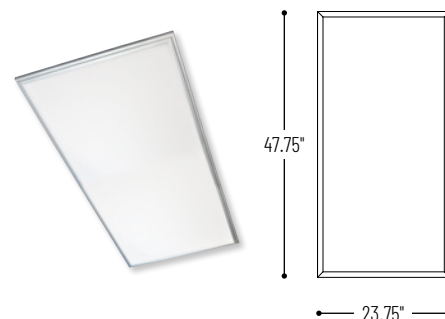
Product Images & Dimensions



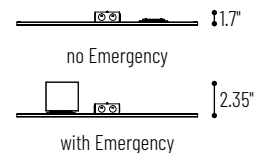
NPD-E22
2' x 2' LED Edge-Lit Panel



NPD-E14
1' x 4' LED Edge-Lit Panel



NPD-E24
2' x 4' LED Edge-Lit Panel



LED Edge-Lit Panels

Size / Lumens / Wattage	Optional Emergency
NPD-E22/35A4HL = 2' x 2' / 3500lm / 35W / 3500K	EM = Emergency with Remote Test Switch
NPD-E14/40A4HL = 1' x 4' / 3500lm / 34W / 4000K	EM = Emergency with Remote Test Switch
NPD-E24/35A4HL = 2' x 4' / 5000lm / 46W / 3500K	EM = Emergency with Remote Test Switch
NPD-E24/40A4HL = 2' x 4' / 5000lm / 46W / 4000K	

Optional Accessories

Accessories

- NPD-14DFK/A** = 1' x 4' Surface Mount Frame, Aluminum
- NPD-22DFK/A** = 2' x 2' Surface Mount Frame, Aluminum
- NPD-24DFK/A** = 2' x 4' Surface Mount Frame, Aluminum
- NPD-14RFK/W** = 1' x 4' Recessed Mounting Kit, White
- NPD-22RFK/W** = 2' x 2' Recessed Mounting Kit, White
- NPD-24RFK/W** = 2' x 4' Recessed Mounting Kit, White
- NPD-PK** = Pendant Mounting Kit, Aluminum
- NPDBL-PKW** = Pendant Mounting Kit, White

Example: **NPD-E24/40A4HL** = 2' x 4' LED Edge-Lit Panel, 5000lm / 46W, 4000K

NPD-E22/A4HL / NPD-E14/A4HL / NPD-E24/A4HL

LED Edge-Lit Panel Accessories

Type

Project

Catalog No.

Notes



Surface Mounting Frame

NPD-14DFK/A 1' x 4' / Aluminum Finish
NPD-22DFK/A 2' x 2' / Aluminum Finish
NPD-24DFK/A 2' x 4' / Aluminum Finish

The frame mounts over an existing junction box and the panel slides into place. Surface mounting frame only extends 2.5" from the ceiling. Can be used with NPD-PK pendant kit.

Note: Junction box must be off center frame. Emergency is not available with surface mounted panels.



Recessed Mounting Kit

NPD-14RFK/W 1' x 4' / White Finish
NPD-22RFK/W 2' x 2' / White Finish
NPD-24RFK/W 2' x 4' / White Finish
NPDBL-14RFK/W 1' x 4' / White Finish
NPDBL-22RFK/W 2' x 2' / White Finish
NPDBL-24RFK/W 2' x 4' / White Finish

The white finished flange kit consist of four pieces. The assembled frame installs into a hard ceiling. The panel lifts and shifts in the frame ending in a finished flush appearance.



Pendant Mounting Kit

NPD-PK Aluminum Finish
NPDBL-PKW White Finish

Allows LED panels to be suspended as a pendant. Grip lock fasteners allow for easy field adjustment of cables from 12" to 96". Canopy includes an 8' power cord that can be shortened in the field. Pendant kit may be used with surface mount frames for an alternative appearance.

Canopy Dimension: 6" width / 0.75" height / 8'-6" cord & cable