

Installation Instructions

NPD Series LED Panel Light

READ PRIOR TO ATTEMPTING INSTALLATION
ALWAYS TURN OFF MAIN POWER BEFORE INSTALLATION
INSTALLATION SHOULD BE CARRIED OUT BY YOUR LOCAL ELECTRICIAN

ITEM NO.	DESCRIPTION
NPD-E14/XXA4HL	1' x 4' LED Panel Light
NPD-E22/XXA4HL	2' x 2' LED Panel Light
NPD-E24/XXA4HL	2' x 4' LED Panel Light

⚠ IMPORTANT - This equipment is intended to be installed only by qualified personnel. The installation must be made in accordance with the current edition of the National Electrical Code and all applicable state and local building codes. The final installation must be approved by the appropriate, qualified electrical/building inspector(s). Improper installation may result in a fire or electrical hazard. Be sure the electrical power to the circuit has been disconnected before installing this electrical system.

⚠ IMPORTANT - Cet équipement est destiné à être installé uniquement par du personnel qualifié. L'installation doit être faite conformément à l'édition actuelle du Code national de l'électricité et à tous les codes de construction locaux et nationaux applicables. L'installation finale doit être approuvée par un ou plusieurs inspecteurs qualifiés en électricité / bâtiment. Une installation incorrecte peut entraîner un incendie ou un risque électrique. Assurez-vous que l'alimentation électrique du circuit a été déconnectée avant d'installer ce système électrique.

ELECTRICAL CONNECTIONS:

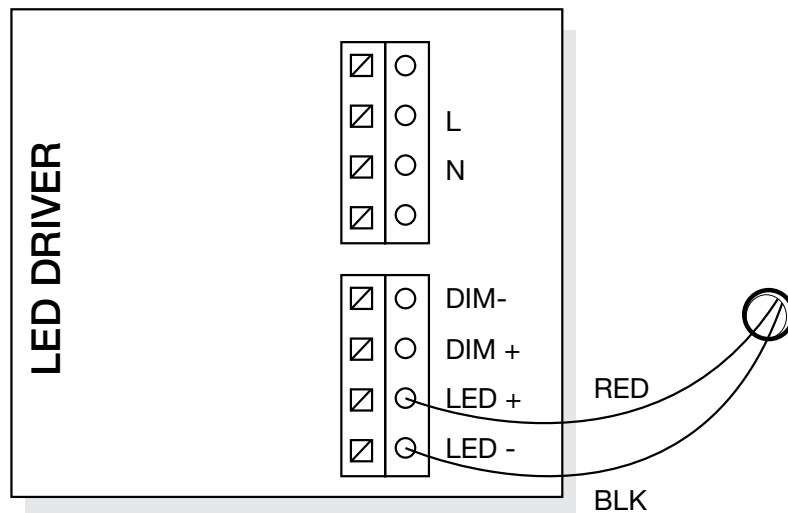
ON-OFF WIRING STEPS:

1. Open the cover of junction box.
2. Connect the DC wire of panel light and power supply. Red to red(v+), black to black(v-), to LED+ and LED- of the terminal block.
3. Remove round knock-out and connect conduit or Romex to wiring box with proper connectors. AC input connect neutral to AC-N, the line connect to AC-L, and ground connect to the green wire. It's recommended to use 16GA pigtails from the terminal block to the respective power supply wires.

0-10V DIMMABLE WIRING.

1. Connect low voltage leads from 0-10V dimming device to respective DIM+ and DIM- of the terminal block.

UNIVERSAL VOLTAGE DRIVER PERMITS OPERATION AT 120V THRU 277V, 50 OR 60HZ. 0-10V CONTROL WIRES MUST BE RATED FOR 300V MINIMUM.



MUST ADD PIGTAIL OR JUMPER WIRE INTO THE ACL AND ACN TERMINAL IF WISH TO
USE A WIRE LARGER THAN 16AWG FOR BOTH AC AND NEUTRAL LINE.

Installation Instructions

NPD Series

LED Panel Light

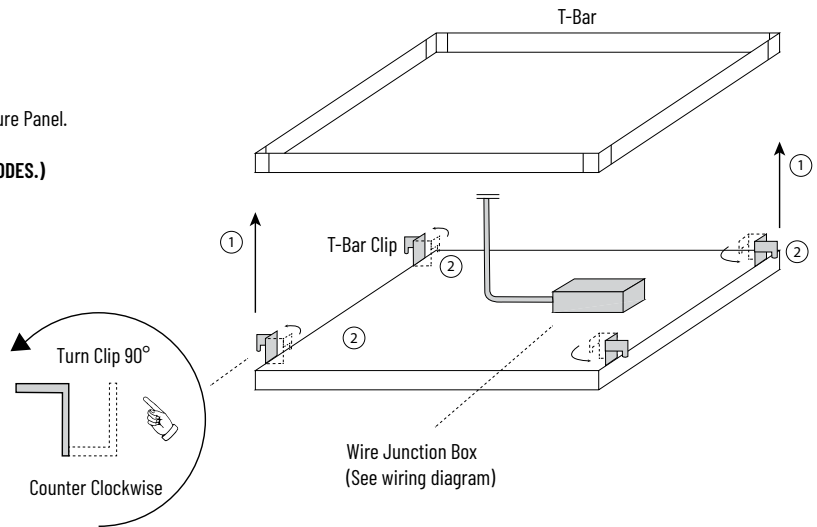
READ PRIOR TO ATTEMPTING INSTALLATION
ALWAYS TURN OFF MAIN POWER BEFORE INSTALLATION
INSTALLATION SHOULD BE CARRIED OUT BY YOUR LOCAL ELECTRICIAN

NOTE: REQUIRES 0-10V DIMMER. SEE DIAGRAM

RECESSED INSTALLATION:

1. Turn all power off before installation.
2. Connect driver to power source.
3. Insert LED Panel into T-Bar, face down.
4. Align Panel with edge of T-Bar. Turn clip 90° counter clockwise to secure Panel.

(CLIP HAS HOLE FOR WIRE OR CABLE SUPPORT REQUIRED BY SOME LOCAL CODES.)



RECESSED FLANGE KIT MOUNTING STEPS:

1. Use flat head screwdriver to slightly open up mounting holes on channels.
2. Insert L-bracket into mounting holes on channel by slightly tapping L-bracket with a hammer. (make sure not to bend L-bracket or channel)
3. Assemble 4 sides together
4. Insert assembled unit into the cut-out opening and secure tightly against ceiling using structure above
5. Go to Step 1 above.

SURFACE MOUNT INSTALLATION:

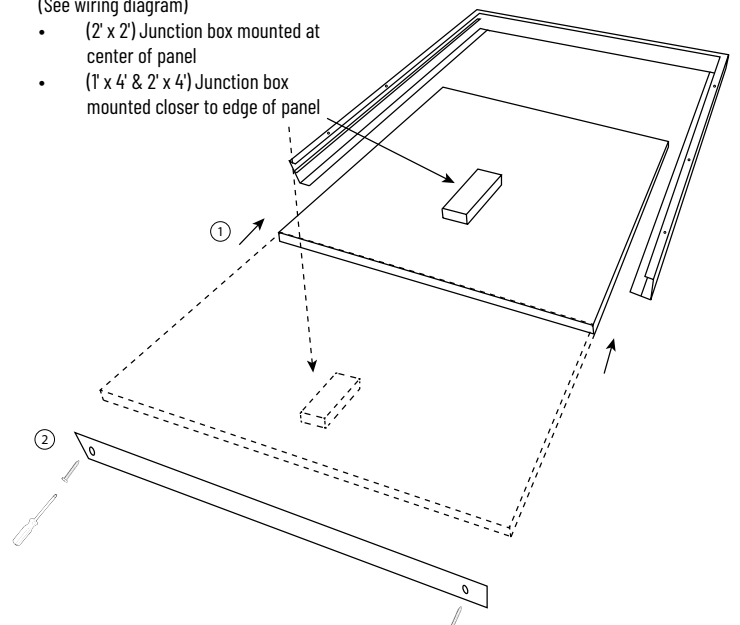
1. **IMPORTANT:** Frame should be positioned over junction box (by others) so as not to interfere with junction box on back of LED Panel.
2. Position 3 sides together making sure to use two sides with mounting holes. Mount 3 sided frame to ceiling making sure the power supply box does not interfere with driver box on back of panel. It is recommended that the power supply / junction box is mounted off-center of frame.
3. Make electrical connections to LED Panel according to local electrical codes.
4. Slide LED Panel into frame and attach 4th side of frame.

(THE J-BOX OR FLEX LEAD CANNOT BE IN THE CENTER LOCATION OF THE SURFACE FRAME)

WIRE JUNCTION BOX / DRIVER

(See wiring diagram)

- (2' x 2') Junction box mounted at center of panel
- (1' x 4' & 2' x 4') Junction box mounted closer to edge of panel



Installation Instructions

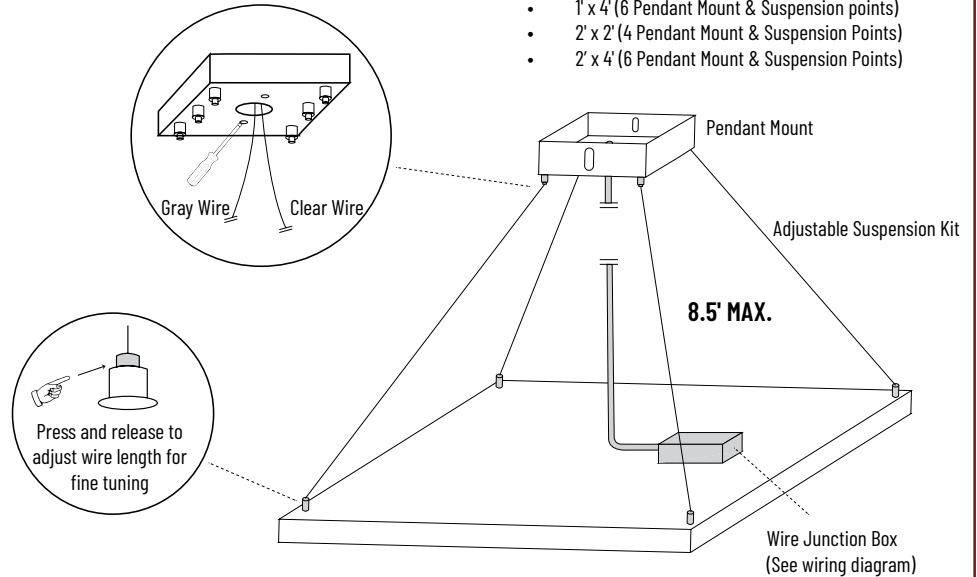
NPD Series

LED Panel Light

READ PRIOR TO ATTEMPTING INSTALLATION
ALWAYS TURN OFF MAIN POWER BEFORE INSTALLATION
INSTALLATION SHOULD BE CARRIED OUT BY YOUR LOCAL ELECTRICIAN

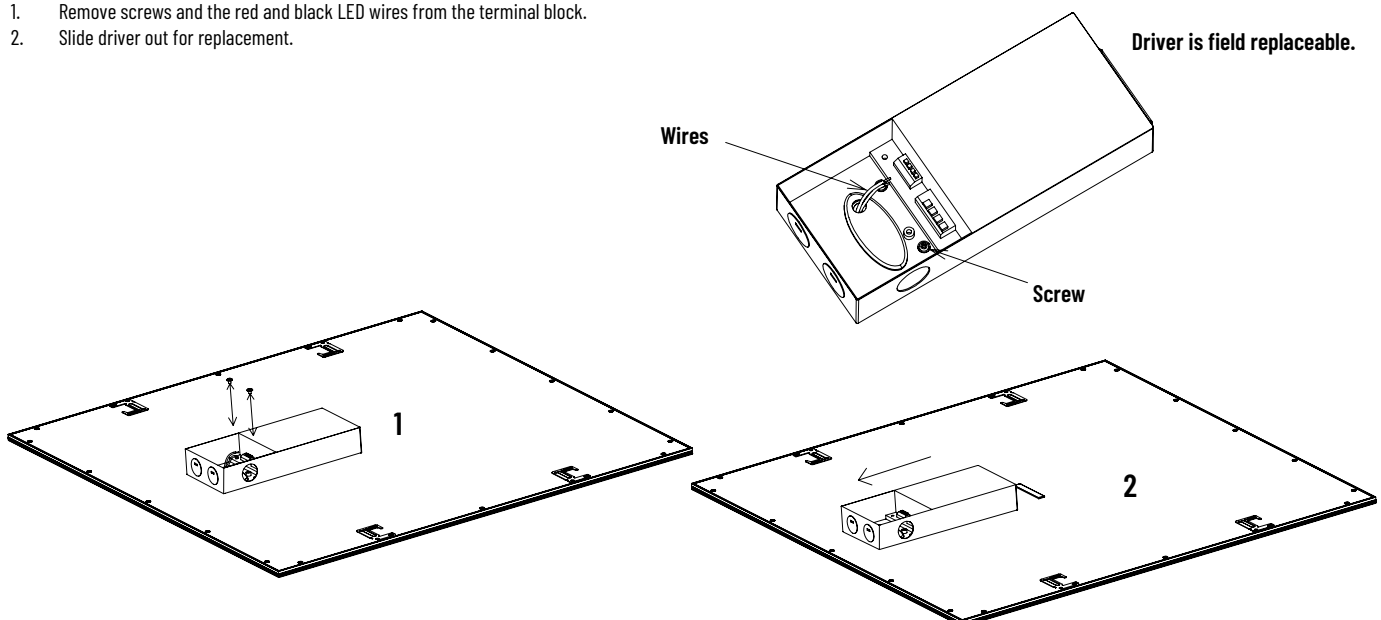
PENDANT MOUNT INSTALLATION:

1. Turn all power off before installation.
2. Attach wire grippers to back of panel.
3. Measure desirable wire length and then feed wire through each wire gripper.
4. Install universal pendant mount to ceiling.
5. Hard wire the power cable attached to canopy to the power source.
6. Secure canopy to the universal bracket mount via two screws.
7. Feed power cable into junction box and hard wire the driver.
8. Level the panel by fine tuning the length of wire by pressing the strain reliefs at the canopy and feed the wire in or out as necessary. Cut excess wire after final adjustment.



DRIVER INSTALLATION:

1. Remove screws and the red and black LED wires from the terminal block.
2. Slide driver out for replacement.



Installation Instructions

NPD Series

LED Panel Light

READ PRIOR TO ATTEMPTING INSTALLATION
ALWAYS TURN OFF MAIN POWER BEFORE INSTALLATION
INSTALLATION SHOULD BE CARRIED OUT BY YOUR LOCAL ELECTRICIAN

EMERGENCY CONNECTION (NPD-A4HLEM):

