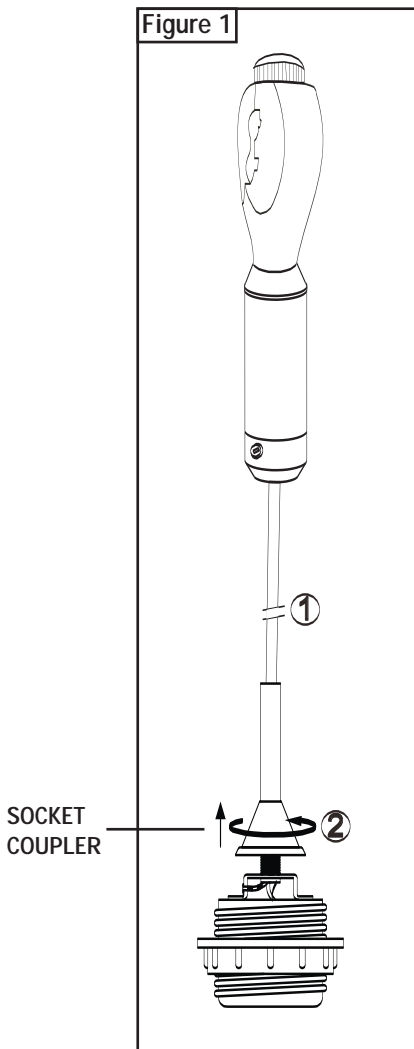


## NORA RAIL COLLECTION - RAIL MOUNTED PENDANTS



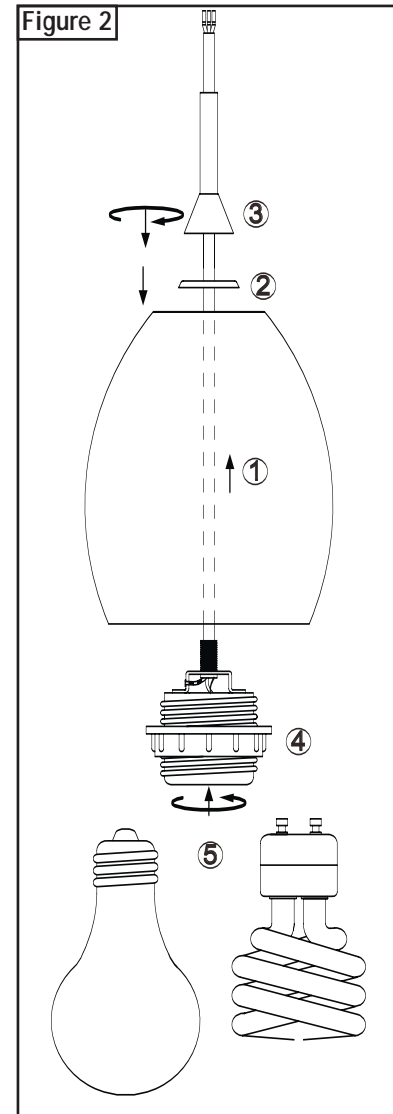
ALWAYS TURN OFF MAIN POWER BEFORE INSTALLATION

Item#	Description	Rating
NRS10-466	Rail Mounted Pendant	100W Med. Base Inc. Max.
NRS48-468	Rail Mounted Pendant	26W GU24 CFL Max.



**Figure 1**

1. Cut pendant cord near rail adapter. Cut cord to desired length.
2. Remove socket coupler and washer from the socket assembly.



**Figure 2**

1. Pull pendant cord up through bottom of glass and out the top.
2. Replace washer over nipple.
3. Retighten coupler onto nipple, make sure glass shade is level.
4. Secure glass shade with threaded collar, making sure socket is level.
5. Screw lamp into socket.

INSTALLATION SHOULD BE CARRIED OUT BY YOUR LOCAL ELECTRICIAN.

# Installation Instructions

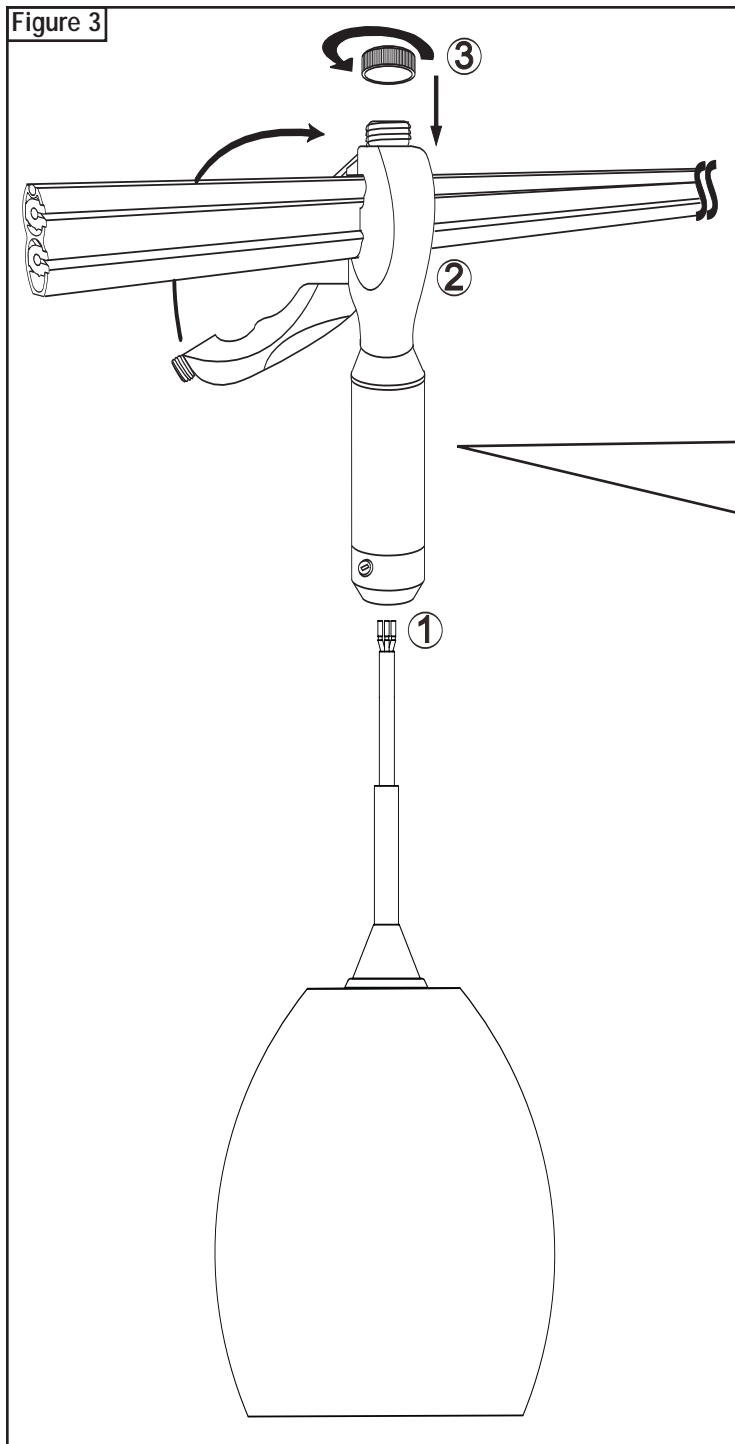
\*\*\*URGENT: READ PRIOR TO ATTEMPTING INSTALLATION\*\*\*

## NORA RAIL COLLECTION - RAIL MOUNTED PENDANTS

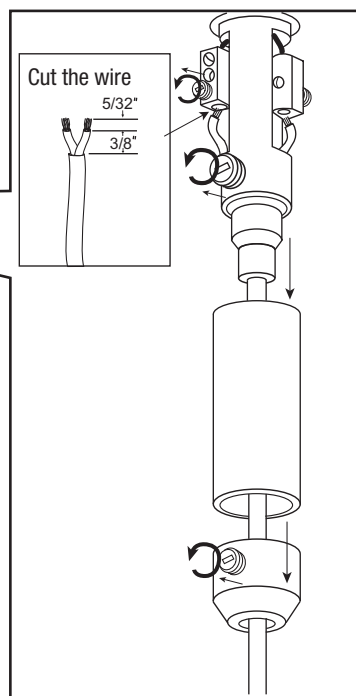


ALWAYS TURN OFF MAIN POWER BEFORE INSTALLATION

Item#	Description	Rating
NRS10-466	Rail Mounted Pendant	100W Med. Base Inc. Max.
NRS48-468	Rail Mounted Pendant	26W GU24 CFL Max.



	L = Black • Brown
	N = White
	↓ = Bare wire • Green/Yellow



**Figure 3**

1. Rewire pendant cord to rail adapter accordingly.
2. Mount rail adapter to rail.
3. Replace rail cap to ensure connection.

**Note:** Make sure the pendant cord is at your desired length

INSTALLATION SHOULD BE CARRIED OUT BY YOUR LOCAL ELECTRICIAN.