

Installation Instructions

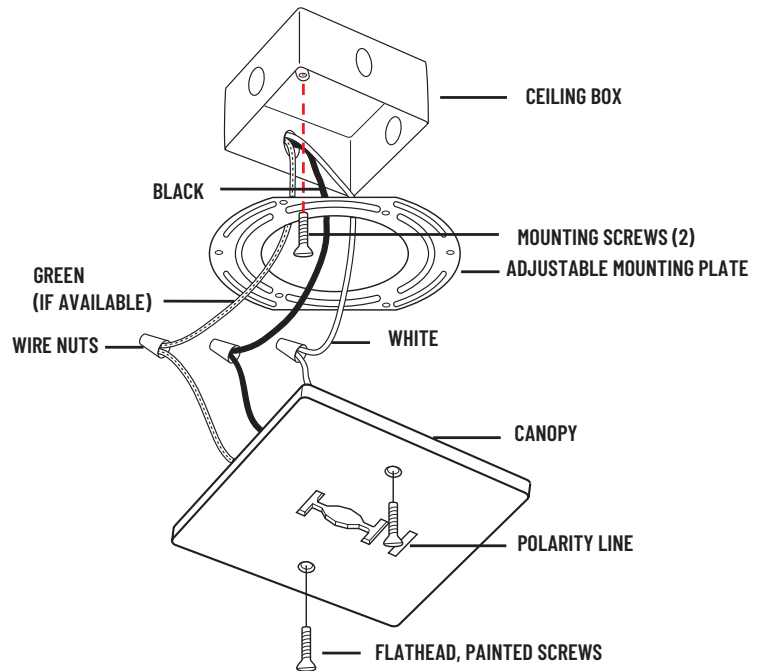
Monopoint Track Accessory

READ PRIOR TO ATTEMPTING INSTALLATION
ALWAYS TURN OFF MAIN POWER BEFORE INSTALLATION
INSTALLATION SHOULD BE CARRIED OUT BY YOUR LOCAL ELECTRICIAN

NT-319 / NT-366

MONOPOINT CANOPY FOR STANDARD TRACK HEADS

Allows any track head to be mounted as a monopoint fixture.



NT-380

MONOPOINT CANOPY FOR DOUBLE LOCKING TRACK ADAPTER

Round canopy used to cover junction box and power a track head with double locking adapter.

COMPATIBLE JUNCTION BOXES

4" Octagonal Junction Box
3" & 4" Round Plastic Junction Box

COMPATIBLE TRACK HEADS

Compatible with track heads with double locking adapters:
NTE-854 Jason Square Track Head
NTE-855 Jason Round Track Head
NTE-880 Dipper Track Head
NTH-910 Architectural Cylinder Line Voltage MR16 GU10 Track Head
NTH-920 Architectural Cylinder Line Voltage PAR20 Track Head
NTH-930 Architectural Cylinder Line Voltage PAR30 Track Head

