

NTE-840

Cori LED Track Head

Source: 23W LED
12W Lamp

Type
Project
Catalog No.
Notes

PRODUCT DESCRIPTION

Architecturally styled track head utilizing LED technology from Nora Lighting. The stylish LED track fixture is available in 12W or 23W, 3000K or 4200K color temperatures, and 15° spot or 35° flood light distribution. As always with LED technology there is no harmful UV and infrared rays, no projected forward heat makes it ideal for heat and UV light sensitive merchandise and artwork.

FEATURES

- Over 75% energy savings when compared to incandescent
- Up to 1581 Lumens and 83 CRI
- Available in two different wattages: 12W or 23W
- Available in two different color temperatures: 3000K & 4200K CCT
- Available in two different beam spreads: 15° & 35°
- Black, Silver, White Finishes
- One or two circuit track capable
- Available in J-Style
- Dimmable only with NTE-840D Series

SPECIFICATION

Construction: Die-cast construction with heat dissipating fins, for driver and LED package to optimize heat management

Slim Style: Architectural low profile design, slim vertical driver housing..

Adjustability: 345° horizontal and 180° vertical adjustment.

Contact Head Assembly: Three 0.030 stainless steel contacts mounted in premium plastic housing.

One/Two Circuit Conversion: Positive contact (opposite neutral and ground contacts) is preset to "down" position at the factory, but may be raised to the high position to install onto the second circuit of Nora Lighting's NT-2300 series two-circuit track.

One/Two Circuit Conversion: Positive contact (opposite neutral and ground contacts) is preset to "down" position at the factory, but may be raised to the high position to install onto the second circuit of Nora Lighting's NT-2300 series two-circuit track.

ELECTRICAL

Wattage/Lumens:

12W / 741.7lm @3000K, 939.5lm @4200K

23W / 1297lm @3000K, 1581lm @4200K

CRI: 12W - 81.1 CRI @3000K, 84.3 CRI @4200K

23W - 81.1 CRI @3000K, 83.2 CRI @4200K

Light Source: 12W - 7 LEDs

23W - 9 LEDs

Beam Spread: 15° Spot (S), 35° Flood (F)

Life Expectancy: 50,000 Hours

CCT: Warm White (3000K), Cool White (4200K)

COMPATIBILITY

Nora track heads are compatibly with Halo or any other brands configured to Halo 3 wire track configuration. J-style and L-style track adapters are available. NOTE: Fixtures may not be compatible with non-Nora monopoint adapters.

DIMMING

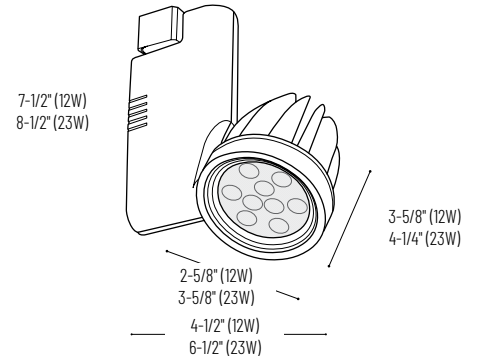
[Click Here](#) or check complete dimmer list at www.NoraLighting.com in the "Compatibility" page under "Resources" tab

LISTING

- cULus Listed
- 5-year Limited Warranty
- DLC Certified



PRODUCT IMAGES & DIMENSIONS



Cori LED Track Head

Catalog No.	Source	Color Temp.	Beam Spread	Wattage	Finish	Adapter Style
NTE-840	L = LED	30 = 3000K	S = 15° (Spot)	12 = 12W	B = Black	(blank) = H-Style
	D = Dimmable	42 = 4200K	F = 35° (Flood)	23 = 23W	S = Silver	/J = J-Style
					W = White	/L = L-Style

Example: **NTE-840L30S1223** = 12W Cori LED Track Head, 3000K CCT, Spot Beam Spread, Silver Finish