

NTH-104

BR30/PAR30 Step Cylinder with Black Baffle

Lamp: 75W BR30/PAR30 max.

Type

Project

Catalog No.

Notes

PRODUCT DESCRIPTION

Line voltage stepped "continental" style housing includes a structural arm to provide full adjustment of light source for special aiming and completely conceals wire lead from socket to contact head. Internal mechanism allows for adjustment and resists angle degradation.

FEATURES

- Die cast aluminum provides superior strength and rigidity.
- Black baffle eliminates glare and adds finished touch.
- One or two circuit track capable.
- Accepts LED lamps

CONSTRUCTION

Housing: Deep drawn steel construction with simple, yet decorative design. All edges are softened for aesthetic appearance

Baffle: Black finished phenolic high heat rated plastic baffle, provides finished appearance and assists in eliminating glare from housing interior.

Structural Arm: Extruded aluminum arm connects fixture housing to electrical contact head. Internal tightening mechanism maintains desired lamp aiming angles. Structural arm also functions as wire way, completely concealing lead wire from socket to contact head.

ELECTRICAL

Voltage: 120V input

Socket: Medium base

Lamp: 75W BR/PAR30 max. (not included)

FINISH

Available in black, bronze and white finishes.

ONE/TWO CIRCUIT CONVERSION

Positive contact (opposite neutral and ground contacts) is preset to "down" position at factory but may be raised to the higher position to install onto the second circuit of Nora Lighting NT- 2300 series two-circuit track.

OPTIONAL ACCESSORIES

NT-339: BR30/PAR30 Black Barn Door

NT-342: BR30/PAR30 Black Louver (requires NT-339 or NT-345)

NT-345: BR30/PAR30 Black Accessory Holder

LABELS AND LISTINGS

UL Listed



PRODUCT IMAGES AND DIMENSIONS



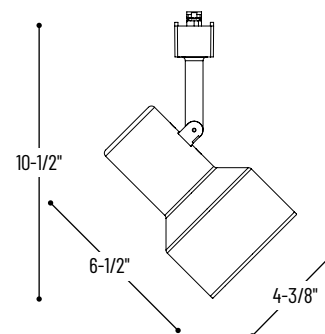
B/A
Black



BZ
Bronze



W
White



BR30/PAR30 Step Cylinder with Black Baffle

Catalog No.	Finish	Style
NTH-104	B/A = Black	(blank) = H-style
	BZ = Bronze	/J = J-style
	W = White	/L = L-style

Optional Accessories

Description

NT-339 = BR30/PAR30 Black Barn Door

NT-342 = BR30/PAR30 Black Louver (requires NT-339 or NT-345)

NT-345 = BR30/PAR30 Black Accessory Holder

Example: **NTH-104B/A** = BR30/PAR30 Step Cylinder with Black Baffle, Black, H-Style