

Type
Project
Catalog No.
Lamp/Wattage

NTH-134 (Line Voltage Track)
Orbit™ Double Gimbal

Lamp : 50W R20/PAR20 / 75W BR30/PAR30 (Not Included)

PRODUCT DESCRIPTION

Line voltage front-loading gimbal fixture. Three balanced curved surfaces provided trouble-free aiming and unique design appearance. Housing and rings are constructed from light weight, high heat rated plastic.

FEATURES

- Light weight construction
- Triple - "Ring" appearance ideal for use in contemporary art/architecture
- Balanced, trouble-free fixture aiming with no additional locking or tightening
- Fully adjustable, firm angle position
- High-strength stainless steel electrical contacts
- One or two circuit track capable

CONSTRUCTION

Housing

0.08" Two-piece injection molded housing.

Gimbal Rings

Three 0.08" injection molded hollow two-piece rings completely conceal all wiring, and provides 5 adjustment points that secure angle position by maintaining even balancing of all parts of fixture and lamp, eliminating need for tightening hardware.

ELECTRICAL SYSTEM

Socket

Porcelain jacketed aluminum screw thread medium-base socket

Wiring

Lead wires from socket are completely concealed withing all three gimbals.

Lamp

50W R20/PAR20 Maximum (not included)
 75W BR30/PAR30 Maximum (not included)

One/Two Circuit Conversion

Positive contact (opposite neutral and ground contacts) is preset to "down" position at factory but may be raised to the higher position to install onto the second circuit of Nora Lighting NT- 2300 series two-circuit track.

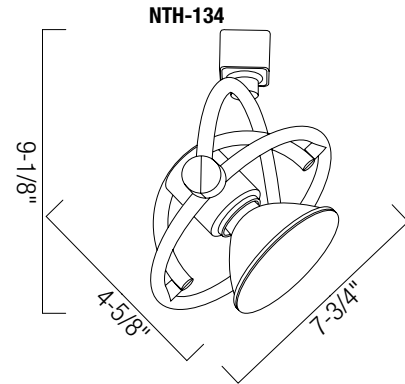
FINISHES

Entire fixture is constructed from pre-colored black or white resin. Color will not fade or chip away from fixture. Custom finishes can be arranged for large quantities where user can order in advance (3-6 months) of installing fixture. Please consult factory for quotation, and provide either a Dunn Edwards number or color chip for exact matching.

LABELS AND LISTINGS

UL Listed.

DIMENSIONS



Diameter: 7-3/4"
 Length : 4-5/8"
 Max. Extension: 9-1/8"



Orbit™ Double Gimbal

Catalog No.	Min. - Max Wattage	Finishes	Style
NTH-134	50W / 75W	B = Black	Blank = H-Style
		W = White	/J = J-Style
			/L = L-Style

Create a complete track head number: Example: NTH - 1 34 B