

Type
Project
Catalog No.
Lamp/Wattage

NTH-136 (Line Voltage Track)
Leopold™ Die-Cast BR/PAR Cylinder

Lamp : 75W BR/PAR30

PRODUCT DESCRIPTION

Line voltage die-cast lamp holder with finished steel cylinder shroud mounted on two stainless steel posts protruding from the face of the lamp holder. Horizontal adjustment friction locked, knob provided to lock vertical adjustment.

FEATURES

- Heavy die-cast aluminum body
- Ideal for commercial use
- Cylinder shroud completely cover light source and eliminates side glare
- High-strength stainless steel electrical contacts
- One or two circuit track capable

CONSTRUCTION

Housing

Main body consists of a two-piece 0.080" die-cast aluminum housing connected with four polished stainless steel screws. Two additional stainless steel screws secure a porcelain medium base socket.

Face

Two 0.2" stainless steel standoffs secure a 0.03" steel cylindrical shroud to housing in front of PAR lamp.

Yoke

0.08" Rigid steel curved yoke connects fixture housing to integral transformer. Two black plastic tightening knobs maintain clean, decorative appearance of the fixture and provide secure angle position.

Lamp Shield

High temperature, high impact 0.15 thick tempered glass shield included. Mounted to front face of fixture via two 0.015" high memory tensioned steel holding springs.

ELECTRICAL SYSTEM

Socket

Dual 250V, 500W, RSC sockets with spring-loaded electrical contacts inside porcelain enclosure.

Wiring

Teflon coated wire leads connects socket and housing to electrical contact head. Teflon coating is durable and resists heat degradation from lamp and housing radiation.

Lamp

75W BR/PAR30 (not included)

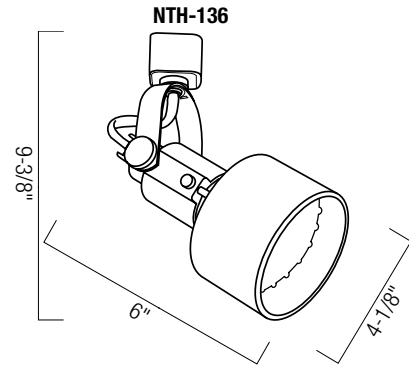
One/Two Circuit Conversion

Positive contact (opposite neutral and ground contacts) is preset to "down" position at factory but may be raised to the higher position to install onto the second circuit of Nora Lighting NT- 2300 series two-circuit track.

FINISHES

Silver heat-rated power coat. Custom painting or anodizing for special applications are also available. Custom finishes will require lead times that vary depending on vendor schedule. Please consult factory for quotation, and provide either a Dunn Edwards number or color chip for exact matching.

DIMENSIONS



Diameter : 4-1/8"
 Length : 6"
 Max. Extension: 9-3/8"

LABELS AND LISTINGS

UL Listed.



Leopold™ Die-Cast BR/PAR Cylinder

Catalog No.	Min. - Max Wattage	Finishes	Style
NTH-136	75W	S = Silver	Blank = H-Style /J = J-Style /L = L-Style

Create a complete track head number: Example: NTH-136S