

NTH-613

MR16 Michaelangelo Framing Projector

Source: 50W max.

MR16 GU10 (lamp not included)

Type

Project

Catalog No.

Notes

PRODUCT DESCRIPTION

Low voltage die cast aluminum picture framing projector consisting of diecast aluminum housing, four adjustment blades, and focusing lens. Horizontal adjustment friction locked, knob provided to lock vertical adjustment.

FEATURES

- Die-cast aluminum body provides superior strength and rigidity
- Low profile, aesthetic design
- Completely concealed wiring
- High-strength stainless steel electrical contacts
- One or Two-Circuit track capable
- Available in standard H-Style, J-Style or L-Style adapters

SPECIFICATION

Construction: Main body consists of a two-piece cylindrical .080 die cast aluminum housing connected with two .20 finished stainless steel rods, locked with external stainless steel knobs. First housing contains socket; the second contains the focusing lens and blades. Two piece construction allows for replacement of MR16 lamp without disturbing the framing adjustments within the secondary cylinder. Two internal steel rods secure a rectangular porcelain MR16 socket in the most optimal setting for optical performance. Two high-tension springs hold a shielded MR16 light source in place.

Stem: .08 Rigid steel curved yoke connects fixture housing to integral transformer. Black plastic tightening knob maintains clean, decorative appearance of the fixture and provides secure angle position

ELECTRICAL

Socket: Porcelain twist and lock GU10 socket

Wattage: 50W maximum

Lamp: MR16 (not included)

One/Two Circuit Conversion: Positive contact (opposite neutral and ground contacts) is preset to "down" position at factory but may be raised to the higher position to install onto the second circuit of Nora Lighting NT-2300 series two-circuit track.

Finishes: Black, white and silver finishes are available; contact warehouse for custom finishes.

LISTING

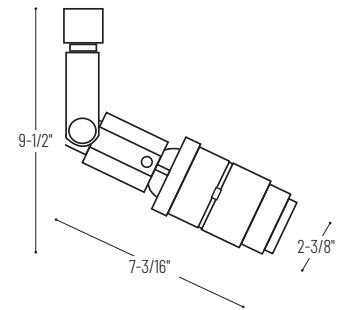
cULus Listed for Dry Locations



PRODUCT IMAGE



PRODUCT DIMENSIONS



Michaelangelo Framing Projector Track Head

Series	Finish	Adapter Style
NTH-613	S = Silver	(blank) = H-Style /J = J-Style /L = L-Style

Example: **NTH-613S** = Michaelangelo Framing Projector Track Head, Silver finish, H-Style Adapter