

NTH-616

MR16 Copernicus™ Glass Disk Face

Source: 50W max.

MR16 GU10 (lamp not included)

Type _____

Project _____

Catalog No. _____

Notes _____

PRODUCT DESCRIPTION

Low voltage die cast lamp holder with decorative frosted glass disk mounted on two stainless steel posts protruding from face of MR16 light source. Horizontal adjustment friction locked, knob provided to lock vertical adjustment.

FEATURES

- Die-cast aluminum body provides superior strength and rigidity
- Low profile, aesthetic design
- Decorative glass face provides unique effect for custom applications
- High-strength stainless steel electrical contacts
- One or two circuit track capable

SPECIFICATION

Construction: Main body consists of a two-piece .080 die cast aluminum housing connected with four polished stainless steel screws. Two additional stainless steel screws secure a porcelain MR16 GU5.3 base socket.

Stem: .08 Rigid steel curved yoke connects fixture housing to integral transformer. Black plastic tightening knob maintains clean, decorative appearance of the fixture and provides secure angle position

Face: Two .2 stainless steel standoffs secure a .19 glass disk to housing in front of MR16 light source. Disk is 4-3/4" in diameter, with a 1-3/4" diameter opening in the center.

ELECTRICAL

Socket: Porcelain twist and lock GU10 socket

Wattage: 50W maximum

Lamp: MR16 (not included)

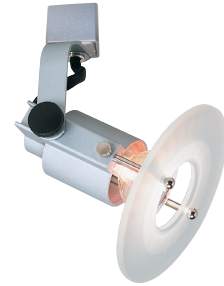
One/Two Circuit Conversion: Positive contact (opposite neutral and ground contacts) is preset to "down" position at factory but may be raised to the higher position to install onto the second circuit of Nora Lighting NT-2300 series two-circuit track.

LISTING

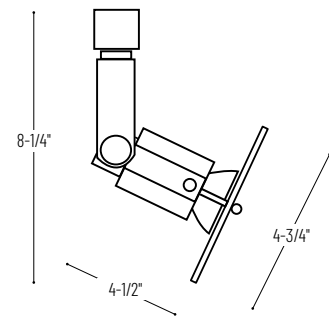
cULus Listed for Dry Locations



PRODUCT IMAGE



PRODUCT DIMENSIONS



Copernicus™ Glass Disk Face Track Head

Series	Finish	Adapter Style
NTH-616	S = Silver	(blank) = H-Style /J = J-Style /L = L-Style

Example: NTH-616S = Copernicus™ Glass Disk Face Track Head, Silver finish, H-Style Adapter