

Type
Project
Catalog No.
Lamp/Wattage

NTL-220 (200 Series Low Voltage Track)
NTL-2220 (2000 Series Low Voltage Track)
PAR36 Low Voltage Gimbal Ring
 Lamp: 12V - 20W - 50W Halogen PAR36

PRODUCT DESCRIPTION

Low voltage PAR36 adjustable gimbal ring fixture. PAR36 lamp clips directly into the adjustable gimbal ring. A steel yoke holds the gimbal ring in place and allows for full lateral aiming adjustment.

FEATURES

- Lightweight, Strong steel construction.
- Instant snap-in lamp installation.
- Adjustable yoke for precision aiming.
- Heat resistant teflon wire coating.
- One or two circuit track capable.
- High strength stainless steel electrical contacts.

CONSTRUCTION

Gimbal Ring

Low voltage PAR36 adjustable gimbal ring fixture. PAR36 lamp clips directly into the adjustable gimbal ring. A steel yoke holds the gimbal ring in place and allows for full lateral aiming adjustment.

Yoke

.085 Rigid steel bracket connects fixture housing to electrical contact head. Side mounted riveting provides secure angle position.

Contact Head Assembly

Three .030 stainless steel contacts mounted in high heat rated plastic housing.

One/Two Circuit Conversion

Positive contact (opposite neutral and ground contacts) is preset to "down" position at factory but may be raised to the higher position to install onto the second circuit of Nora Lighting NT- 2300 series two-circuit track.

ELECTRICAL SYSTEM

1. Transformer-

Solid state electronic transformers provide noise-free voltage reduction and operation. If dimming, use electronic low voltage rated only dimming controls.

NTL-220: Integral Unit - 120V/60Hz Input; 12V Output; 50VA Max. Load

NTL-2220 (requires separate transformer): External Unit - NTL-2200/50: 120V/60Hz Input; 12V Output; 50VA Max. Load

2. Wiring -

Teflon coated wire lead connects socket and housing to electrical contact head.

Teflon coating is durable and resists heat degradation from lamp and housing radiation.

3. Socket -

Stainless steel spring sockets allow PAR36 lamp to snap into the socket housing without hard wiring the fixture to PAR36 lamp terminals. Sockets are encased in a heavy duty .11 heat rated contoured plastic housing.

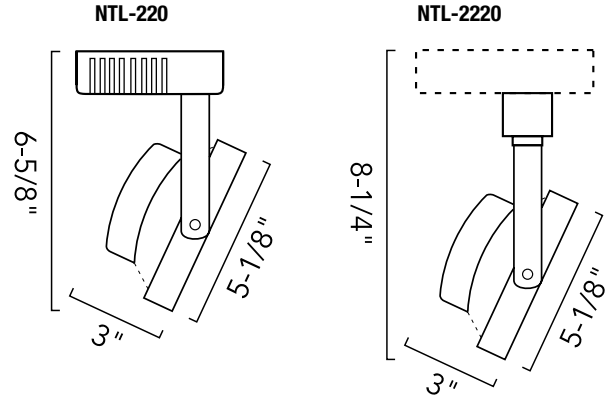
FINISHES

Powder coated finishes available (Black, or White). Custom finishes are available, please contact factory.

LABELS AND LISTINGS

UL Listed.

DIMENSIONS



Diameter: 5-1/8"
 Length: 3"
 Max. Extension: 6-5/8"

Diameter: 5-1/8"
 Length: 3"
 Max. Extension: 8-1/4"



200 Series Low Voltage Track Fixture

Catalog No.	Min. - Max. Wattage	Finishes
NTL-220	50W	B = Black
		N = Natural Metal
		W = White

2000 Series (Requires Transformer & Track head)

Catalog No.	Min. - Max. Wattage	Finishes
NTL-2200 (Transformer)	/50 = 20W-50W	B = Black
		W = White
NTL-2220 (Track Head)	(Blank) = 20W-50W	B = Black
		N = Natural
		W = White

Create a complete track head number: 200 Series Example: NTL - 220B

2000 Series Example: NTL - 2200/75B & NTL - 2220B