

Type _____
 Project _____
 Catalog No. _____
 Lamp/Wattage _____

NTL-27M84 (200 Series Low Voltage Track)

MR16 Vanguard Series H-Style

Lamp: 20W - 75W Halogen MR16

PRODUCT DESCRIPTION

Low voltage die cast aluminum designer fixtures with MR16 light source. Integral 12V 75W electronic transformer, locking vertical aiming, and hot aiming handle.

FEATURES

- On/Off Switch.
- High-tech, aesthetic design.
- Hot aiming wand - cool to the touch adjustability.
- One or two circuit track capable.
- High-tech, aesthetic design.
- Heavy duty die cast construction.

CONSTRUCTION

Constructed in thick die-cast aluminum, the enclosure is powder coated with textured architectural paint finish. The high-tech styling, die cast aluminum body with fixture side mounted to transformer compartment. Stylish vertical transformer housing with on/off switch. Final nut at the bottom of the fixture locks fixture for vertical adjustment. MR16 protective glass lens included.

Socket

Porcelain socket for GU5.3 12V MR16 lamp.

Lamp

One 75W 12V MR16 Halogen Lamp (Ordered Separately).

Lamp Shield

High temperature glass shield included. Mounted to front of lamp fixture and held in place with high-tension retaining spring clip.

ELECTRICAL SYSTEM

1. Transformer – Solid-state electronic transformer provides noise-free voltage reduction and operation. If dimming, use electronic low voltage rated only dimming controls.

*If dimming, lamp manufacturers recommend burning the MR16 at full power for 100 consecutive hours prior to using dimming control. Failure to apply this precaution may reduce lamp life.

Integral Unit - 120V/60Hz Input; 12V Output; 75VA Max. Load

2. Wiring - Teflon coated wire lead connects socket and housing to electrical contact head.

Teflon coating is durable and resists heat degradation from lamp and housing radiation.

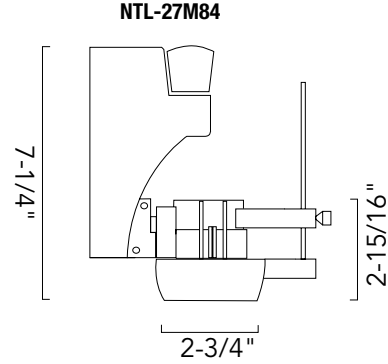
FINISHES

Black, Silver and White heat rated baked enamel paint. Custom painting or anodizing for special applications is also available. Custom finishes will require lead times that vary depending on vendor schedule. Please consult factory for quotation, and provide either a Dunn Edwards number or color chip for exact matching.

OPTIONAL ACCESSORIES

NM-100/MR16 MR16 Filter (Blue, Clear, Frosted, Green, Linear, Pink, Red, Spread, Yellow)

DIMENSIONS



Diameter: 2-3/4"
 Length: 2-15/16"
 Max. Extension: 7-1/4"

LABELS AND LISTINGS

UL Listed.



200 Series Vanguard Series H-Style Low Voltage Track

Catalog No.	Min.- Max. Wattage	Finishes
NTL-27M84	/75 = 75W	B = Black S = Silver W = White

Create a complete track head number: 200 Series Example: NTL-27M84/75S