

Type
Project
Catalog No.
Lamp/Wattage

NTL-314 (Low Voltage Track)
MR16 European Dual Ring Face.
 Lamp: 20W - 50W Halogen MR16

PRODUCT DESCRIPTION

Low voltage die cast lamp holder with decorative steel rings mounted on two posts protruding from face of MR16 light source. Horizontal adjustment friction locked, knob provided to lock vertical adjustment.

FEATURES

- Die cast aluminum provides superior strength and rigidity.
- Ideal for commercial use.
- Decorative rings provide unique sculpted appearance.
- One or two circuit track capable.

CONSTRUCTION

Housing

Main body consists of a two-piece .080 die cast aluminum housing connected with four polished stainless steel screws. Two additional stainless steel screws secure a porcelain MR16 GU5.3 base socket.

Yoke

.08 Rigid steel curved yoke connects fixture housing to integral transformer. Black plastic tightening knob maintains clean, decorative appearance of the fixture and provides secure angle position

Face

Two .2 stainless steel standoffs secure two or more .04 finished oval steel rings to housing in front of MR16 light source. Standoffs secure to front of housing with two hand-tightened chrome finished stainless steel screws.

Lamp

One 20W-50W 12V MR16 Halogen Lamp (Ordered Separately).

One/Two Circuit Conversion

Positive contact (opposite neutral and ground contacts) is preset to "down" position at factory but may be raised to the higher position to install onto the second circuit of Nora Lighting NT- 2300 series two-circuit track.

ELECTRICAL SYSTEM

1. Transformer – Solid state electronic transformer provides noise-free voltage reduction and operation. If dimming, use electronic low voltage rated only dimming controls. If dimming, lamp manufacturers recommend burning the MR16 at full power for 100 consecutive hours prior to using dimming control. Failure to apply this precaution may reduce lamp life. Integral Unit - 120V/60Hz Input; 12V Output; 50VA Max. Load

2. Wiring - Teflon coated wire lead connects socket and housing to electrical contact head. Teflon coating is durable and resists heat degradation from lamp and housing radiation.

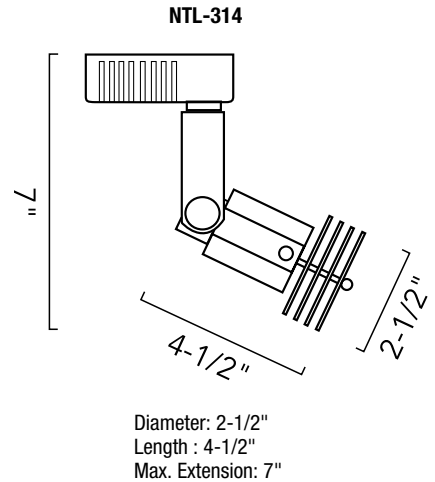
FINISHES

Transformer is black; remainder of fixture is silver powder coat.

LABELS AND LISTINGS

UL Listed.

DIMENSIONS



European Dual Ring Face.

Catalog No.	Min. - Max Wattage	Finishes	Style
NTL-314	20W - 50W	S = Silver	H-Style

Create a complete track head number: Example: NTL - 314S