

Type _____
 Project _____
 Catalog No. _____
 Lamp/Wattage _____

NTL-315 (Low Voltage Track)
MR16 Newton European Diecast Ring Face.
 Lamp: 20W - 50W Halogen MR16

PRODUCT DESCRIPTION

Low voltage die cast lamp holder with locking steel ring mounted on two posts protruding from face of MR16 light source. Horizontal adjustment friction locked, knob provided to lock vertical adjustment.

FEATURES

- Heavy-Duty die cast aluminum body.
- Ideal for commercial use.
- Locking ring allows use of light control/effect media accessories.
- One or two circuit track capable.

CONSTRUCTION

Housing

Main body consists of a two-piece .080 die cast aluminum housing connected with four polished stainless steel screws. Two additional stainless steel screws secure a porcelain MR16 GU5.3 base socket.

Yoke

.08 Rigid steel curved yoke connects fixture housing to integral transformer. Black plastic tightening knob maintains clean, decorative appearance of the fixture and provides secure angle position.

Face

Two .2 stainless steel standoffs secure a .22 die cast aluminum ring to housing in front of MR16 light source.

Lamp

One 20W-50W 12V MR16 Halogen Lamp (Ordered Separately).

One/Two Circuit Conversion

Positive contact (opposite neutral and ground contacts) is preset to "down" position at factory but may be raised to the higher position to install onto the second circuit of Nora Lighting NT- 2300 series two-circuit track.

ELECTRICAL SYSTEM

1. Transformer – Solid state electronic transformer provides noise-free voltage reduction and operation. If dimming, use electronic low voltage rated only dimming controls. If dimming, lamp manufacturers recommend burning the MR16 at full power for 100 consecutive hours prior to using dimming control. Failure to apply this precaution may reduce lamp life. Integral Unit - 120V/60Hz Input; 12V Output; 50VA Max. Load

2. Wiring - Teflon coated wire lead connects socket and housing to electrical contact head. Teflon coating is durable and resists heat degradation from lamp and housing radiation.

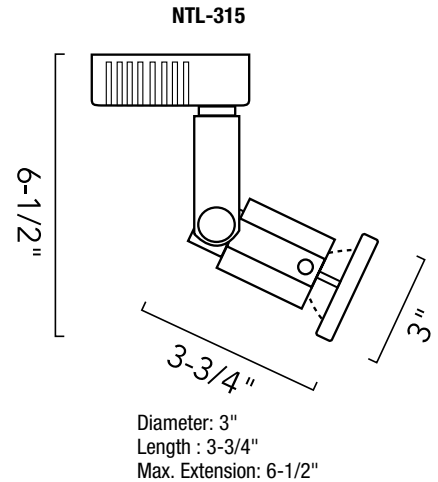
FINISHES

Transformer is black; remainder of fixture is silver powder coat.

LABELS AND LISTINGS

UL Listed.

DIMENSIONS



ACCESSORIES

- Filters NM-100/MR16
 (See accessories page)
 Louver NT-362
 Re-Lamping Too. NT-363



European Diecast Ring Face.

Catalog No.	Min. - Max Wattage	Finishes	Style
NTL-315	20W - 50W	S = Silver	H-Style

Create a complete track head number: Example: NTL - 315 S